

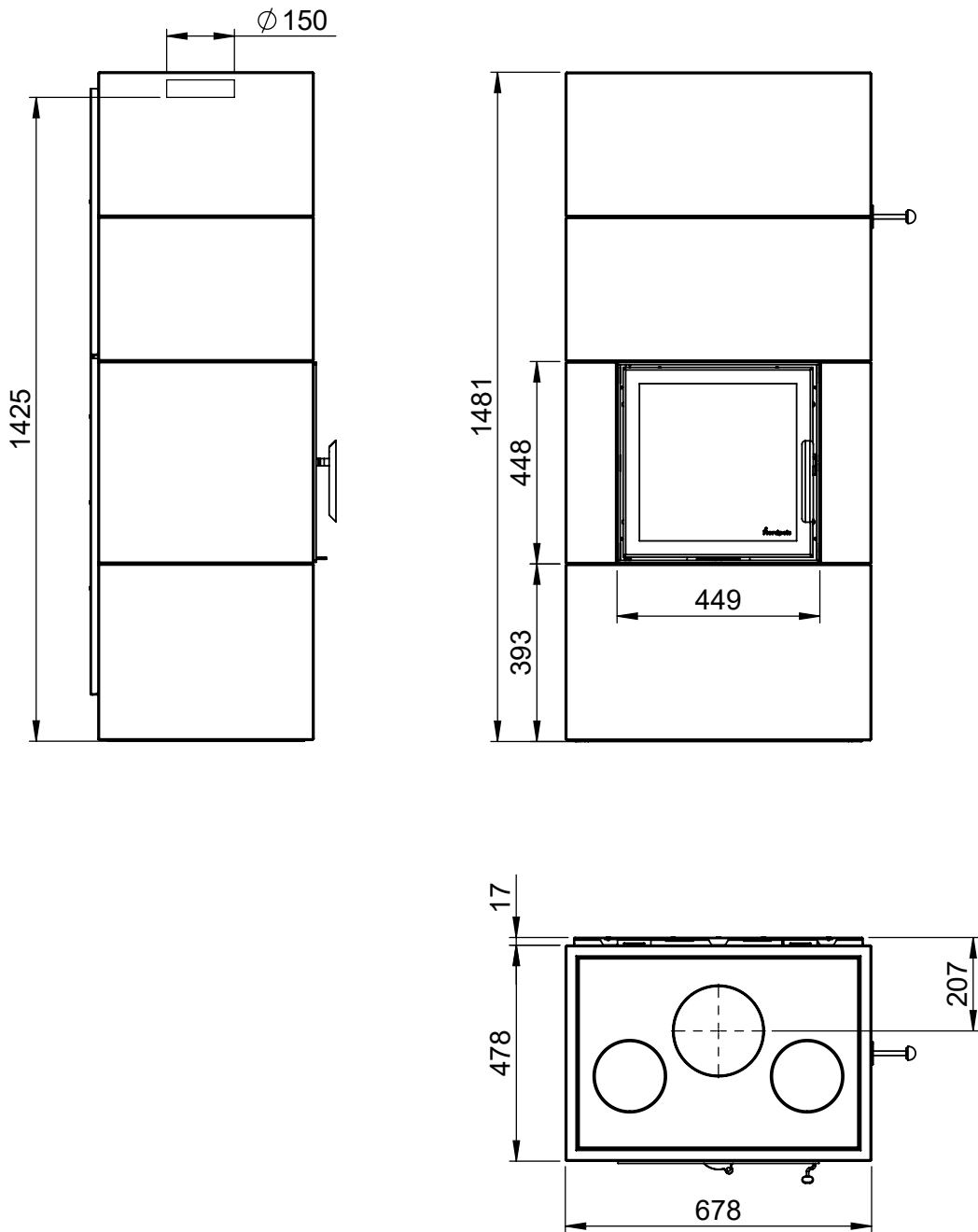
Measurements

SALZBURG M II/SALZBURG M II+1/SALZBURG M II EXTENSION BASE



FIG 1

SALZBURG M II = MM

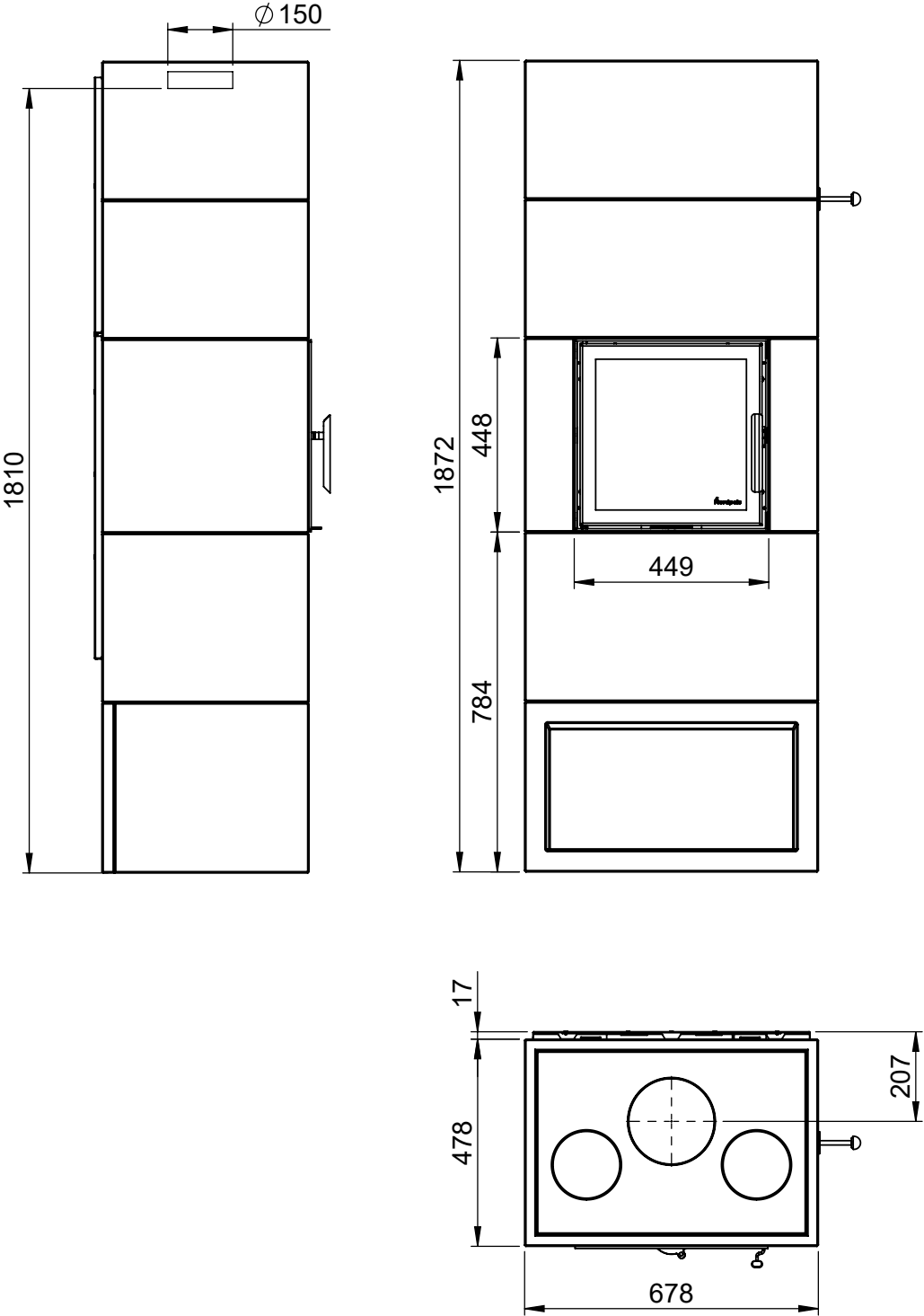


Measurements



SALZBURG M II/SALZBURG M II+1/SALZBURG M II EXTENSION BASE

FIG 2 SALZBURG M II + WOODSHELF = MM

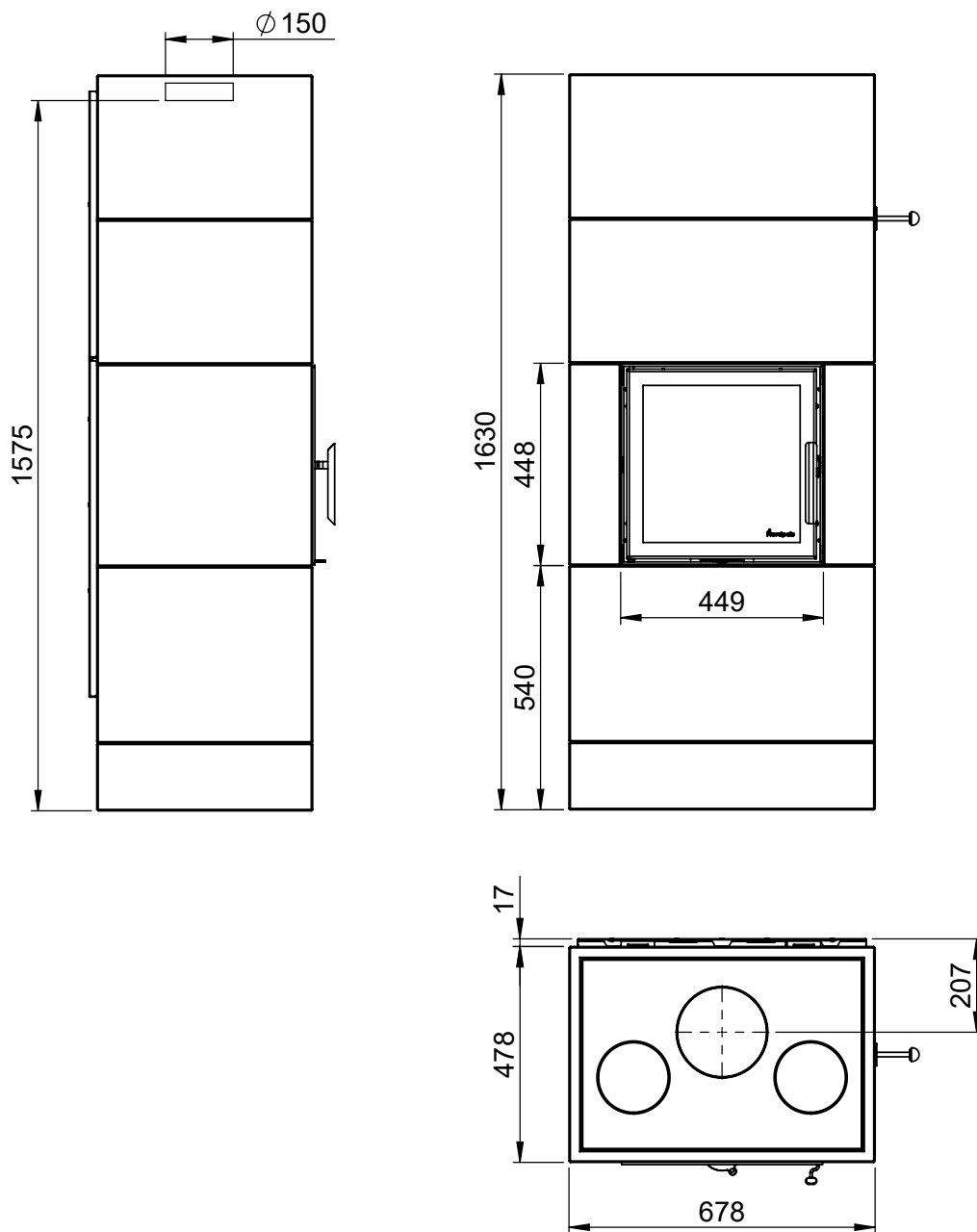


Measurements

SALZBURG M II/SALZBURG M II+1/SALZBURG M II EXTENSION BASE

FIG 3

SALZBURG M II EXTENSION BASE = MM

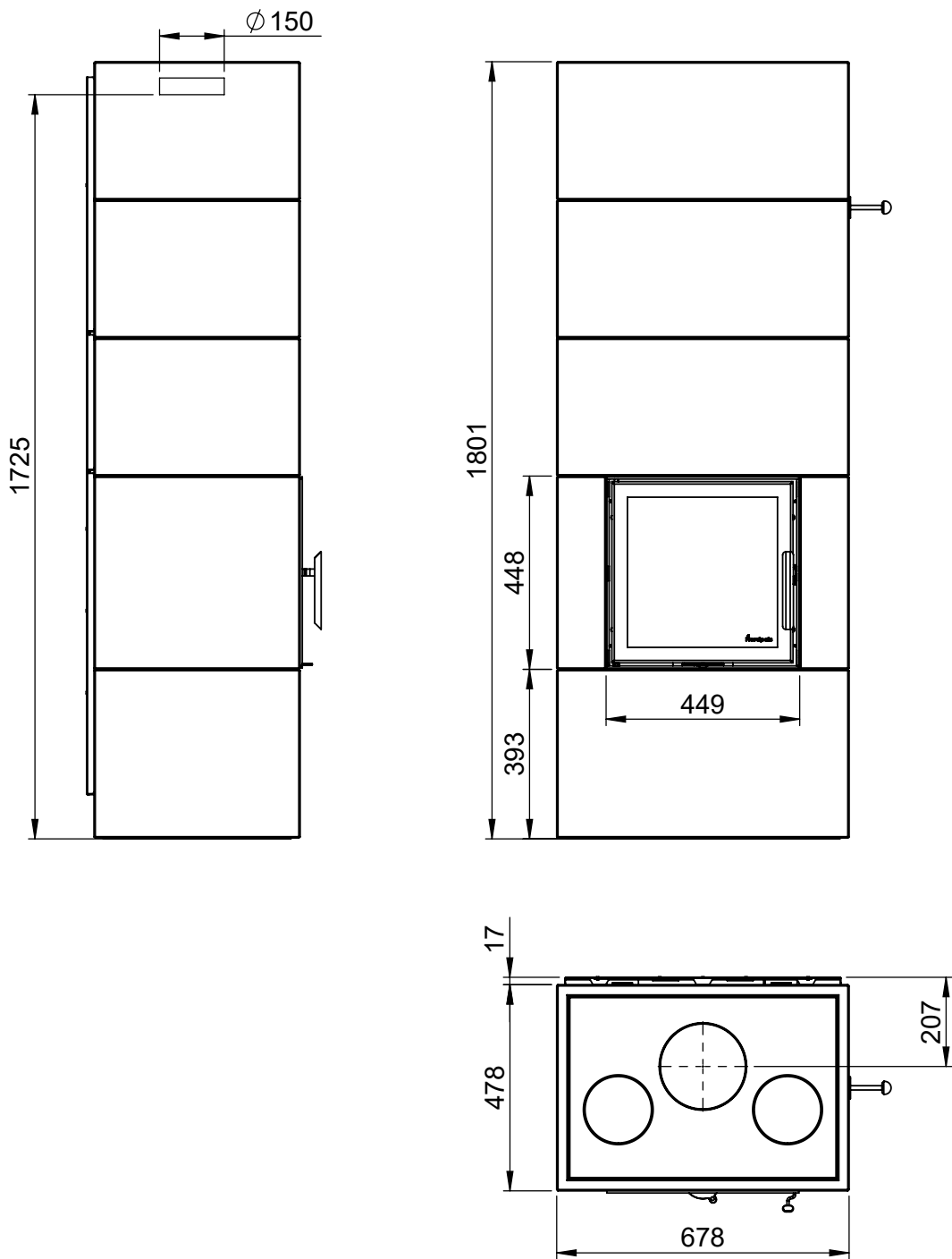


Measurements

SALZBURG M II/SALZBURG M II+1/SALZBURG M II EXTENSION BASE

FIG 4

SALZBURG M II +1 = MM

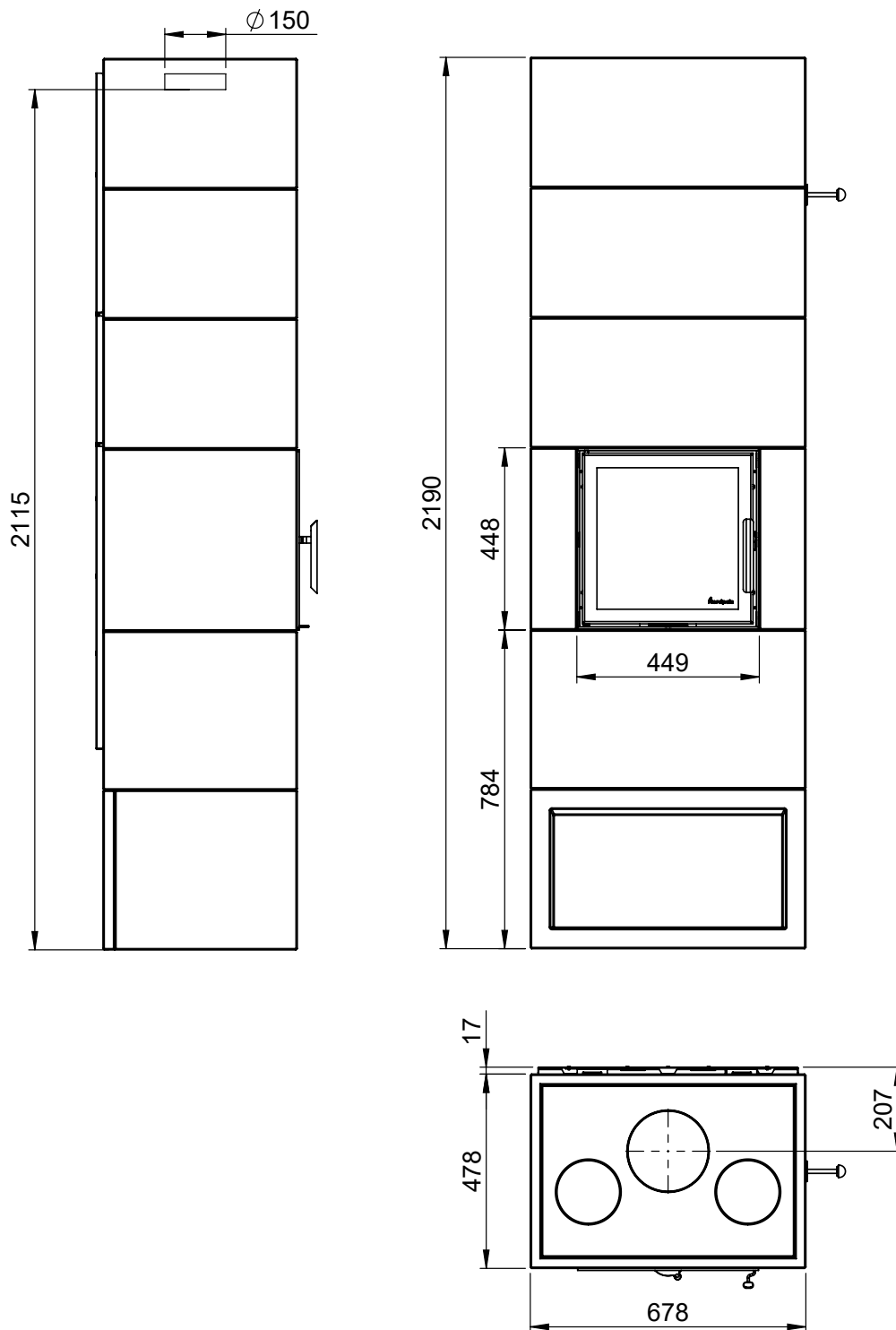


Measurements

SALZBURG M II/SALZBURG M II+1/SALZBURG M II EXTENSION BASE

FIG 5

SALZBURG M II + 1 + WOODSHELF = MM

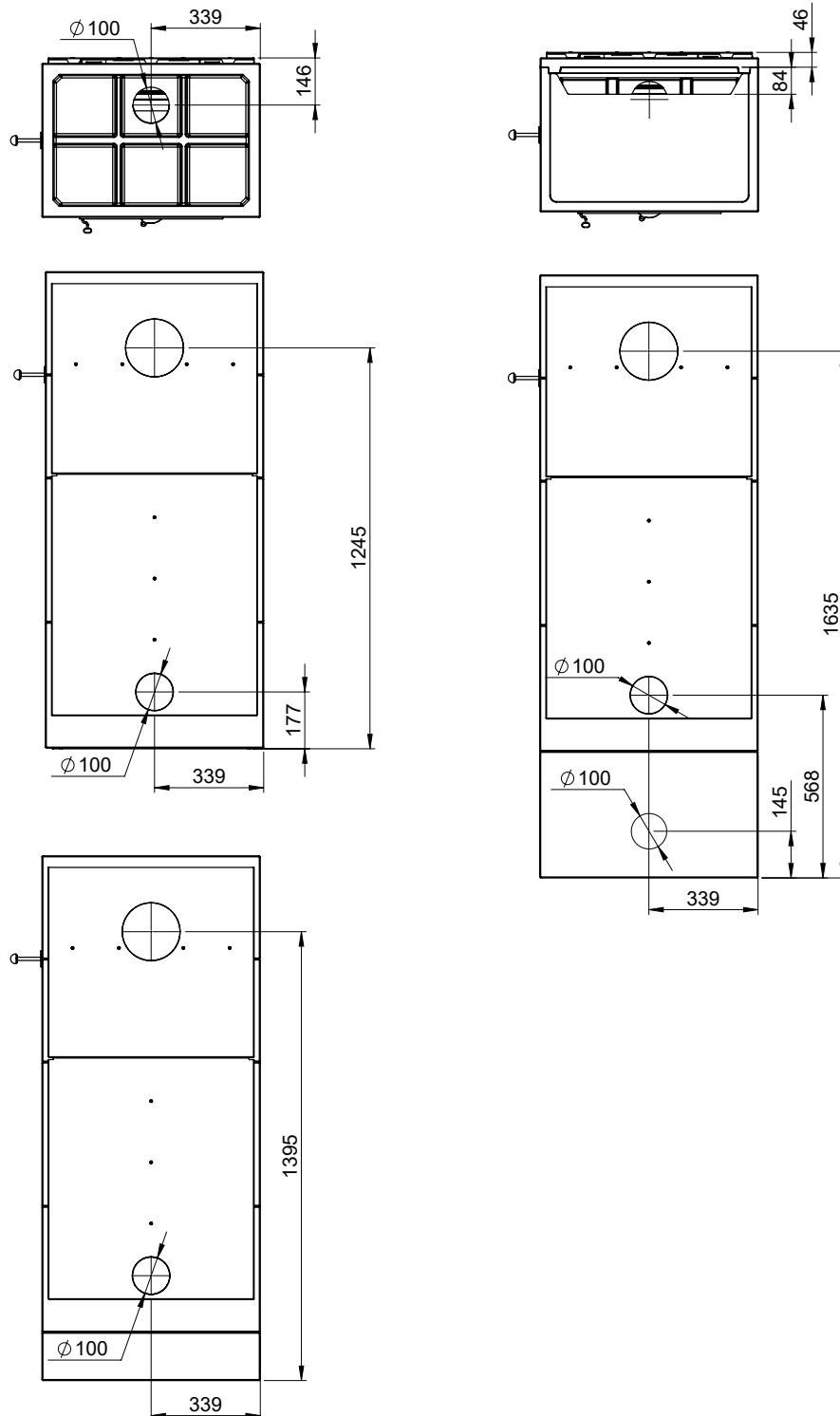


Measurements

SALZBURG M II/SALZBURG M II+1/SALZBURG M II EXTENSION BASE

FIG 6

SALZBURG M II/+ WOODSHELF/EXTENSION BASE = AIR/CHIMNEY



Measurements

SALZBURG M II/SALZBURG M II+1/SALZBURG M II EXTENSION BASE



FIG 7

SALZBURG M II +1/WOODSHELF = AIR/CHIMNEY

