

**TRIMLINE INSTALLATION INSTRUCTIONS
TRIMLINE INSTALLATIE VOORSCHRIFT
TRIMLINE INSTRUCTIONS DE INSTALLATION
TRIMLINE INSTALLATIONSVEJLEDNING
TRIMLINE INSTRUCCIONES DE INSTALACIÓN
TRIMLINE MONTAGEANLEITUNGEN**

**1080
Trimline 2050 OH**

UNITED KINGDOM-UK

IRELAND-IE

NEDERLAND-NL

BELGIE-BE

FRANCE-FR

DANSK-DK

ESPAÑA-ES

DEUTSCHLAND-DE

INSTALLATION INSTRUCTIONS

Trimline assortment

1080
Trimline 2050 OH

IRELAND-IE

UNITED KINGDOM-UK

TABLE OF CONTENTS

1. INSTALLATION INSTRUCTIONS	Page. 3
1.1 General instructions	
2. PLACING THE APPLIANCE	Page. 4
2.1 Connection the gas lines	
2.2 Preparation and installation	
2.3 Installing gas control GV60	
3. PLACING THE CERAMIC LOGS	Page. 5
3.1 Fitting the ceramic logs	
3.2 Fitting the optional Pebble set	
4. TECHNICAL DETAILS GV60	Page. 6
5. INSTRUCTIONS FOR MERTIK MAXITROL GV60 GASCONTROL	Page. 7
6. GAS TECHNICAL DATA	Page. 8
7. CONCENTRIC CHIMNEY LAY OUT	Page. 9
8. CONCENTRIC FLUE SYSTEM	Page. 10
8.1 Components of the concentric flue system	
8.2 Construction of concentric flue system	
8.3 Installation instructions regarding existing flues	
8.4 Components	
8.5 Installation	
8.6 Cleaning and maintenance	
10. TERMINAL POSITIONS AND CORRECT FUNCTIONING	Page. 12
11. TROUBLESHOOTING LIST MERTIK GV60	Page. 13
APPENDIX1	DIMENSIONAL DRAWINGS
APPENDIX2	INSTALLATION EXAMPLES
APPENDIX3	INSTALLATION INSTRUCTIONS REGARDING FLUES
APPENDIX4	PREPARATIONS AND INSTALLATION
APPENDIX5	MAKING GAS CASSETE GV60 READY FOR INSTALLATION
APPENDIX6	FITTING THE LOG SET
APPENDIX7	FITTING THE PEBLE SET

1. INSTALLATION INSTRUCTIONS

NOTICE

The installation should be performed only by an authorized gasfitter

1.1 General instructions

- * The gas fireplace must be installed, connected and inspected as a balanced flue fire by a qualified fitter, according to national, regional, and local standards and regulations.
- * The flue system and the terminals in the outer wall or roof face must also meet the requirements outlined in the applicable standards and regulations.
- * The temperature of the walls and shelves near the side and back of the unit may not be more than 80°C higher than the temperature of the environment.
- * The unit has been approved in combination with the THC CC Ø100 mm - Ø150 mm in accordance with European CE standards for gas fires, and may therefore only be applied with this system.
- * The product needs to be serviced and inspected by the fitter for local gas distribution as indicated on the identification plate.
- * The instructions are only applicable if the relevant country code is stated on the unit. If this is not the case, the gas technical information for the relevant country needs to be consulted and modifications discussed with the manufacturer.
- * There will be air in the gas pipes when the unit is first used. The gas pipes therefore need to be purged first.
- * Ignite the fire according to operating instructions and check whether the burner flame is uniform. After the unit has been used for the first time, you should remove any deposits resulting from Running/burning in the paint, using a glass cleaner for heaters.
- Distance to flammable materials:**
- * With respect to the front, side and top of the unit, a distance of 1200 mm needs to be kept between the unit and: curtains, floor covering, upholstery and fabrics, and/or other flammable material unless stated otherwise in these instructions.
- Distance to non-flammable materials:**
- * The unit needs to be placed a minimum distance of 25 mm from the wall unless stated otherwise in these instructions.



WARNING

Gas fires become hot when they are in operation. After installing the appliance the glass surface is considered active zone. The glass surface can become very hot.!

Attention! Accordingly, care should be taken, for example children and needy in the vicinity of burning fires are banned. Gas fires must not be on or against flammable materials are placed (curtains etc.).

Never install the unit against or within a flammable wall!.

NOTICE

Construction material for fireplaces and mantles etc. or built-in situation, must be made of non-combustible material. This also applies to floors and ceilings. Never use flammable materials near the unit in compliance with the above requirements.

If in doubt, consult your dealer

2. PLACING THE APPLIANCE

NOTICE

Before installing the device it is recommended to first read Chapter 7 "Concentric flue system"

2.1 Connection the gas lines

You can determine where the gas pipes will be placed, depending on the positioning of the appliance.

Ensure control equipment is not twisted during installation and there is no excessive tension.

Accessibility of various connection points in relation to components need to be maintained. After installation, check the connections for gas leakage. Use a 3/8" gas tap in the main gas supply.

Ensure the gas pipes are dirt-and sand-free. The gas connection should only be done without any excessive tension in the tubes etc. This prevents any damage occurring to the gas control equipment.

2.2 Preparation and installation (see APPENDIX 5)

- * Remove the packaging and check the unit for possible damage.
- * Please note: place the unit on a stable surface. **Attention;** Do not place the unit on its back/side!
- * Place the unit at the installation location
- * The window should now be removed in order to take the additional parts out of the unit.
- * Remove the decorative frame on the bottom side of the window.
- * Loosen the screws holding the bottom and top glass holders (2).
- * Place the suction cup (s) in the middle of the glass-panel and remove the panel by GENTLY moving this first upwards and then the lower edge of the panel very carefully and slowly pulling toward you (3 and 4). Then place in a safe place where the window can not be broken or damaged. If the removed glass panel shown damage (scratches and / or damaged edges) do not use the glass panel and alerting the supplier.
- * Next, take all the packaged components out of the unit and check to make sure they are not damaged or broken.
- * Situate the unit (see APPENDIX 3 as an example of an installation location) in your chosen installation location. The device must be attached directly to the rear wall (mounting material not included) (4).
- * The legs of the device can be adjusted. (Min 280 Max 460) (5)
- * The adjustable feet allow to adjust the device more refined.
- * Build the gas cassette in the self-assessed surround/casing. The distance between the gas cassette and the unit is determined by the cable lengths of which control cabinet to the pilot burner and the gas control etc. Max.1500 mm. Before building in the gas cassette first install the gas control inside, see 2.3.
- * Install the supplied convection grilles at least 50 cm below the ceiling (see APPENDIX 2) on the appropriate wall. A lowered ceiling inside the whole structure could be a possible solution in the event of a very high space inside this structure.

NOTICE

Temperature of the exhaust grilles could reach over 100 ° C. Caution is therefore needed.

2.3 Installing gas control GV60 (see APPENDIX 6)

The complete gas control is fitted under the gas unit. The gas valve including the burner control must be fitted by the installer in the gas cassette. The step by step procedure:

- * After the window is taken away and parts inside the gas fire are taken out; place the complete gas fire carefully on the backside(1). You can use the wooden pallet to support the gas fire.
- * Cut the binders and CAREFULLY loosen and unroll the various lines and cables (2).
- * Remove the screw holding gas valve bracket (3) and carefully take away the gas valve and move it to the side of the gas fire where you want to install the gas cassette
- * Install the Gas valve + bracket inside the gas cassette, and secure it with the two winged nuts at the position as indicated.
- * Place the entire gas cassette into the surround/casing of the gas fireplace. Be aware of the maximum distance between gas fire and gas cassette limited by the length of thermocouple etc.(7)
- * Make sure the tubes, ignition cable and thermocouple without tension and sharp bends provided, this must be avoided at all times. Make sure the spark plug cable is free from metal parts.

3. PLACING OPTIONAL CERAMIC LOG AND PEBBLESET

3.1 Fitting the Ceramic log set (see APPENDIX7)

- * Mix the glowing material (lava granules) and spread them evenly over the burner and the burner plate so that they are just covered. Glowing embers can be placed here and there as decoration.
- * Place the ceramic wood blocks in the correct order as shown on **APPENDIX 7**.
- * Place the logs carefully. Other location can seriously affect the flames or malfunction of the burn process (sooting)
- * Before replacing the windows make sure if there must be a restriction plate to be placed or not. See chapter 8 "**Concentric chimney lay out**"
- * If there is a restriction required for your situation, remove the baffle plate by unscrewing it from the front of the plate and move the plate backwards and then out. Now install the restriction plate with two screws and replace the baffle plate. (Also see **APPENDIX 5-7**).
- * Now place the window in reverse order as described at chapter "**PLACING THE APPLIANCE**" 2.2 and on **APPENDIX 5**.

3.2 Fitting the optional Pebble set. (see APPENDIX7)

- * Scatter vermiculite evenly over the burner tray. Make sure the pilot light remains unobstructed.
- * Place a row of medium-sized and large pebbles at the front of the burner plate
- * Fill the burner tray with small and medium-sized pebbles from the front to the rear. Place the pebbles as closely as possible to each other on the burner tray.
- * Fill the rear of the burner plate with medium-sized and large pebbles.
- * Before replacing the window make sure if there must be a restriction plate to be placed or not. See chapter 8 "**Concentric chimney lay out**"
- * If there is a restriction required for your situation, remove the baffle plate by unscrewing it from the front of the plate and move the plate backwards and then out. Now install the restriction plate with two screws and replace the baffle plate. (Also see **APPENDIX 5-7**).
- * Now place the window in reverse order as described at chapter "**PLACING THE APPLIANCE**" 2.2 and on **APPENDIX 5**.

Note: when installing the log and Pebble set and the various glowing materials and accessories, the following must be taken into account:

A: No glowing material in or on the pilot burner.

B: Prevent that ceramic material falls on the glass seals. Remove this if necessary. The window can be damaged.

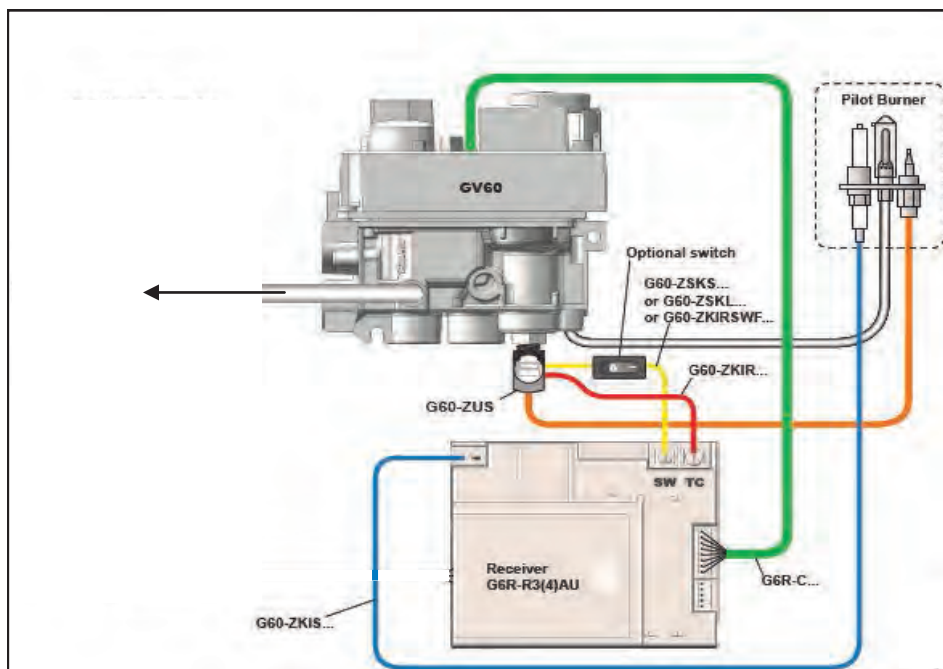
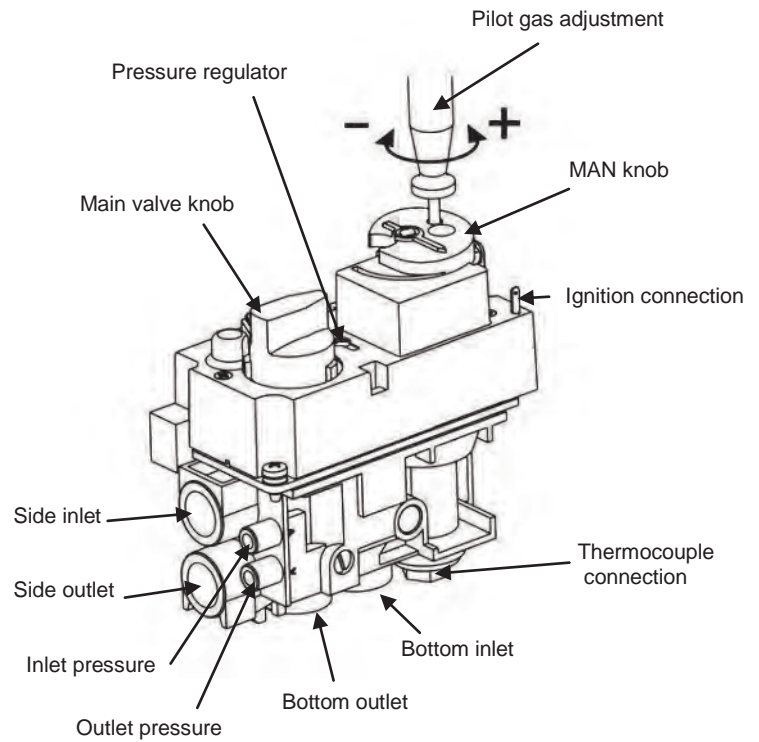
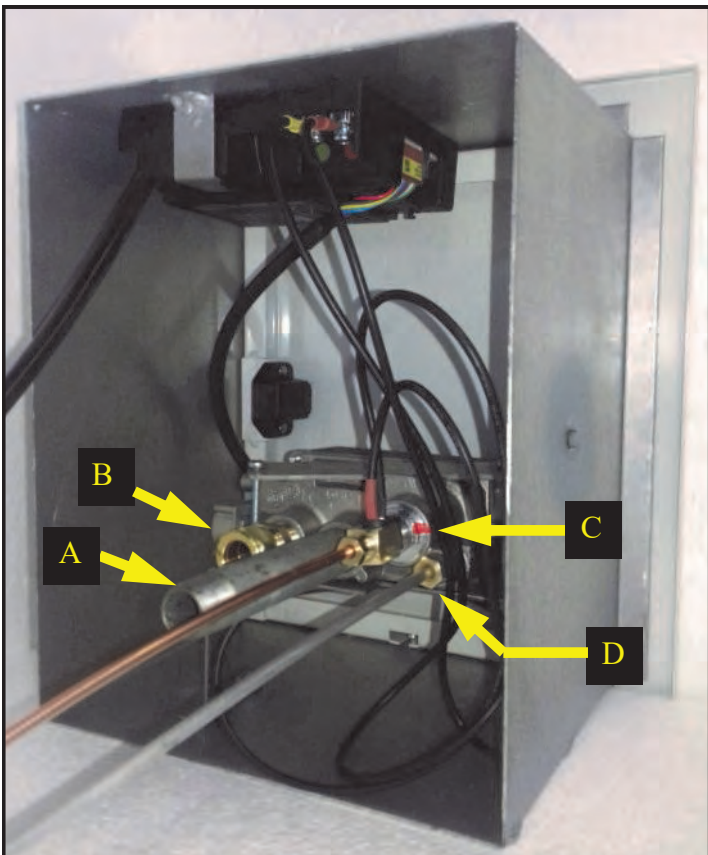
C: *Slot /opening between burner and mesh deco plate must be kept free of glowing material. Too much placed glowing material can affect the combustion process.*

NOTICE

MAKE SURE THE PILOT LIGHT REMAINS UNOBSTRUCTED FROM ANY MATERIAL!

4. TECHNICAL DETAILS GV60

Gas valve type	: Mertik GV60
Burner control	: B6R R8U
Ignition	: Remote control operation and Piezo ignition
Gas connection	: 3/8 "(External) A = Gas inlet B = Gas outlet C = Thermocouple connection D = pilot burner connection
Unit category	: C11-C31-C91
Pilot flame	: SIT 3 flames
Combustion gas discharge and Combustion air supply	: Concentric: Ø100 / 150 mm



5. INSTRUCTIONS FOR MERTIK MAXITROL GV60 GASCONTROL

WARNING

It is forbidden to start up the unit if window (s) is not present or broken!

Ensure that the fuel supplied to the unit is clean and free from particles and moisture.

Before a gas supply pipe (new or existing) is connected to the main gas pipe at the gas meter and to the gas control block of the unit, clean and dry compressed air should be blown through it.

Cut copper pipes as well as aluminium pilot pipes must be deburred and blown clean before they are connected. The dust filter at the connection to the gas control block will only filter out the coarsest dirt from the system. Fine particles are still able to reach the inside and may damage and/or adversely affect regulation in the gas control block .

Heat, moisture and dust are a threat to all electronic components

Protect the electronic gas control *until* all construction, plastering and paintwork has been completed. If such work cannot be avoided, then protect the control against dirt and moisture penetration by using, for example, plastic film .

WARNING

Electronic components will become permanently faulty when exposed to temperatures higher than 60°C. Standard AA batteries will crack open at temperatures >54°C and the battery contents will damage the electronic switches located underneath. Batteries last longest at <25°C. At >50°C the life span is around 23 weeks, this makes the use of the gas fire unnecessarily expensive.

Only install the gas control block and receiver as pre-installed at the factory

Remember that components may have to be replaced or that repairs may have to be performed at a later date. This may be more difficult if the control is installed using a method that is different from the instructions provided here.

Only place the batteries *after* wiring to the receiver, gas control block and pilot set is connected.

Premature connection to the energy source may damage the control's CPU (central processor).

Ensure that the ignition cable is not near the antenna wire and that they do not cross each other.

The high voltage released at ignition may damage the sensitive receiver circuit.

This may mean that the unit becomes less responsive or not responsive at all to handset commands.

NOTICE

Do not tighten the contact breaker and the thermocouple connection too tightly on the gas control block or to each other. It is sufficient to tighten by hand and add a half a turn with an open-end spanner.

Tightening too much will break the connection to the magnetic coil below and/or the insulation around the aluminium contact pin in the contact breaker. This may lead to the magnetic coil not opening the gas supply to the pilot and the unit not working.

Extend the supplied thermocouple with just the original extension. (available from your supplier)

Unauthorized extension of the thermocouple has the effect of stress reduction, thereby the magnetic coil can not be activated.

Prevent leakage of the ignition spark to other parts of the installation than the Ignition by the pilot

Keep the ignition free of hull or other metal parts. If cable extension is used, see to it that connections are additionally insulated with silicone grommet.

For automatic start via the transmitter, the receiver and the control the gas control valve to be switched

The oval disk on the gas control block should be turned to the ON position. The **I/O** switch should be set to "I". The ignition must be connected to the receiver box at the terminal **SPARK**.

The transmitter's contains the thermostat sensor system

The transmitter operates best at 2 to 3 m from the unit. Although the communication via short wave radio signals takes place, it is recommended that the transmitter in the 'visibility' of to lay the gas apparatus in a place where the user wants to experience a pleasant temperature. Place the hand transmitter in direct sunlight or other hot places. The thermostat measures the temperature and regulates the flame size of the gas in accordance.

Remove batteries only with the red ribbon which is under the battery, not with metal tool

Removing batteries with a metal object, the electronic control can permanently damage.

NOTICE

Waiting time of 5 minutes between each starting attempt

6. GAS TECHNICAL DATA

		1080			
GAS TYPE		G20	G25	G30/31	G30
CATEGORY		I2H/I2E/I2E+	I2I/I2ELL	I3+	I3B/P
PRIMARY AIR		2x Ø9	2x Ø5	3x Ø16	3x Ø16
PRE-PRESSURE	mBar	20	20 / 25	28 - 30 / 37	28-30
BURNER PRESSURE HIGH	mBar	10.9	10.9 / 13.6	28 / 36	28
BURNER PRESSURE LOW	mBar	2.5	2.4 / 3.1	8.4 / 10.5	8.4
INJECTOR BORE	Ø MM	2.8	2.80	1.6	1.6
PILOT INJECTOR	CODE	51	51	30	30
LOW CLASS BORE	MM	1.70	1.70	1.30	1.30
LOAD H _s	kW	11.02	9 / 10.4	10.74 / 10.45	10.74
LOAD H _i	kW	9.92	8.1 / 9.36	9.9 / 9.6	9.9
CONSUMPTION	m ³ /h	1.05	1 / 1.11	0.31 / 0.39	0.31
NOM.POWER	kW	7.90	7.5 / 8.6	8.07 / 7.85	8.07

Appliance has NoX Class 5

AT	I2H, I3B/P	BE	I2E+, I3+	DK	I2H, I3B/P	DE	I2ELL, I3B/P
FI	I2H, I3B/P	FR	I2E+, I3+	GR	I2H, I3B/P	GB	I2H, I3+
IS	I3B/P	IE	I2H, I3+	IT	I2H, I3+	LU	I2E, I3B/P
NL	I2L, I3B/P	NO	I3B/P	PT	I2H, I3+	ES	I2H, I3+
SE	I2H, I3B/P	CY	I3B/P, I3+	EE	I2H, I3B/P	LT	I2H, I3B/P
LV	I2H, I3B/P	MT	I3B/P	HU	I2H, I3B/P	PL	I3B/P
SI	I2H, I3B/P	SK	I2H	TR	I2H, I3B/P		

7. CONCENTRIC CHIMNEY LAY OUT

Table of concentric pathways

Pathway	Illustration	X totaal in metres		Y totaal in metres		Restriction
		min*	max*	min [†]	max [†]	
						1080
Indirect exterior wall outlet	A-B	1	3	0	3	
Roof pass-through without slope	C	2	12			from 3 meter
Roof pass-through with 45° slope**	D	3	12	0	4	from 3 meter
Roof pass-through with 90° slope***	E	1	12	0	2	from 3 meter

45° bend: calculation length 1 metre

90° bend: calculation length 2 metres

* length excluding roof or exterior wall outlets. Always adhere to a starting length of 1 metre! for NG appliances

** length excluding roof or exterior wall outlets. Always adhere to a starting length of 1 metre! for LPG appliances

*** Vertical: horizontal ratio $X + X1 + X2 : Y \geq 2 : 1$

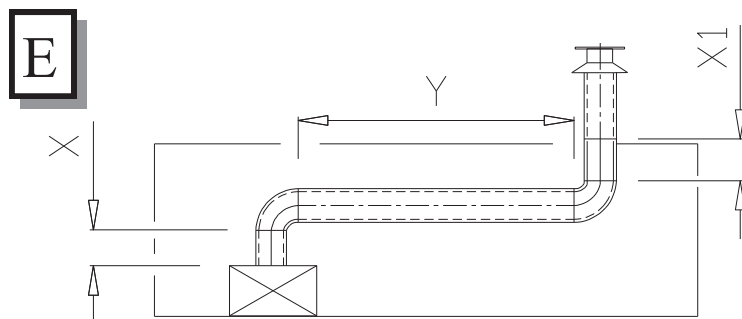
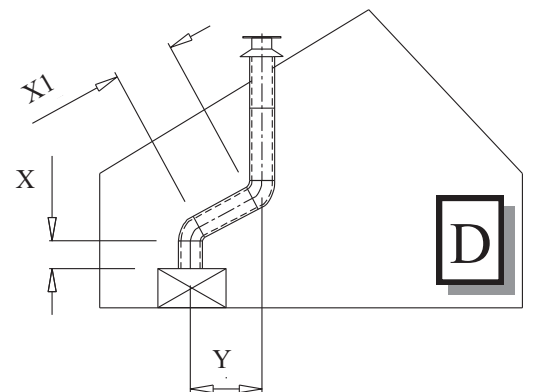
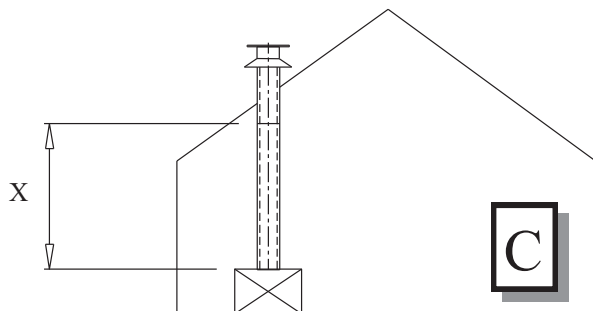
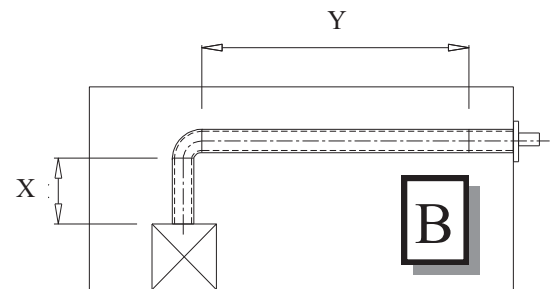
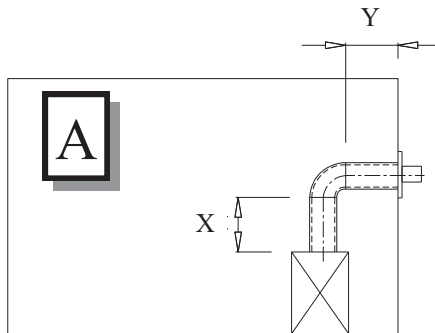
**** Vertical: horizontal ratio $X + X1 : Y \geq 2 : 1$

Determination of restriction:

Wall pass-through - 1 metre vertical, 90° bend, max. 5 metres horizontal, Wall pass-through no restriction.

Roof pass-through - 2 to 4 metres vertical + roof pass-through, fit 30 mm restriction plate.

Roof pass-through - 4 to 7 metres vertical + roof pass-through, fit 55 mm restriction plate.



8. CONCENTRIC FLUE SYSTEM

The concentric flue system is composed of an inner- and an outer tube.

These tubes are concentrically arranged; through the inner tube, the combustion gases are evacuated and the fresh combustion air is supplied between the inner and outer tube.

8.1 Components of the concentric flue system.

Different connections are possible using the concentric flue system. These are:

Through the roof face and through the exterior wall.

There are various options for mounting the lay outs for this system,

however, there are a few important requirements/conditions:

- * The maximum recommended vertical flue length is 12 metres (the sum of the flue length and the calculation lengths for the bends).
- * 90° bends have a 2-metre horizontal calculation length.
- * 45° bends have a 1-metre horizontal calculation length.
- * The outlet can be installed at any point on the roof face or exterior wall (supply and discharge in an identical pressure area), but must meet applicable regulations.
- * Ducts may not be insulated.

NOTICE

Ensure the restriction plate in the fire is mounted in the correct manner, as indicated in these instructions.

The correct restriction plate will provide the unit with the most optimal efficiency, flame image and combustion.

Mounting an incorrectly placed restriction plate may cause malfunction of the unit.

8.2 Construction of concentric flue system

Indirect wall connection.

- * The outlet may be installed in the wall, taking any hindrance to the surrounding area into consideration, according to national, regional, local standards and regulations.
Ensure wind pressure on the flue terminal is not too extreme, such as a balcony, flat roof, corners and in small alleys etc., as this may negatively influence the unit efficiency.
- * Provide a recess in the exterior wall of around 155 mm for concentric 100-150 (in a flammable wall ensure there is 50 mm of extra space around the outer pipe and use fireproof casing) and fix the exterior wall duct with the wall plate to the outer side of the wall. The wall plate of the exterior wall duct must be sealed sufficiently against the wall on the outside, to avoid moisture and/or flue gas leaks into the living space.
- * The flue should be cased if necessary. Sufficient fireproof measures must also be taken when the flue is being mounted along flammable materials.
- * Determine the position of the unit and outlet and begin construction of the flue with the connection on the unit, paying attention to the direction of installation and connecting the elements by means of locking bands.
- * An adjustable length can be used between the bends or when connecting to the unit.
If necessary, use wall brackets to support the flue.

Rooftermination.

- * The flue terminal can be located at any random place on the roof face (supply and exhaust in identical pressure areas) and must meet the applicable rules and regulations.
- * A roof flashing for a flat roof or a lead flashing for sloping tiled roofs can be used for a watertight connection. Use various elbows for making the proper connection, if required.
The recess in the roof decking should be 5 cm larger all around, to ensure sufficient fire resistance.
- * One needs to take into account the regulation regarding fire resistance between rooms (See national, regional, local standards and regulations). A casing made of fireproof material (e.g. 12 mm Promatect fire resistant plate) must be used at 25mm from the outside duct.
- * Determine the position of the unit and outlet and begin construction of the flue with the connection on the unit (always 1 metre vertical first), paying attention to the direction of installation!
The flue must be installed dripless. Connect the elements by using locking bands.
Ensure the gas tightness of all connections is correct.
- * An adjustable length can be used between the elbows or when making the connection to the unit and/or the roof terminal. Use 2 wall brackets to support the flue on each floor.

8.3 Installation instructions regarding existing flues. (see APPENDIX 3)

Instructions

The flue gas exhaust system falls within category C91 and must be built in accordance with national rules and regulations and the instructions of the manufacturer, as specified in the documentation and installation instructions.

This means, among other things, that the existing chimney must not be smaller than 150 mm round / square, but no larger than 200 mm, and not ventilated by grilles etc. In the case of larger chimney size, a flexible hose of around 150 mm may possibly be used in combination with a flexible hose of around 100 mm, as described below. For other situations, you should consult your supplier / manufacturer.

8.4 Components

Check all parts for damage before commencing the installation. You will require the following parts for converting a brickwork duct to a balanced flue concentric duct :

Note: The renovation kit consists of parts 4, 5 and 7.

8.6 Installation

- * Guide the flexible hose (6) through the existing duct.
- * Attach the adjustable pipe (5) to the bottom of the flexible hose and secure this in place using 2 parkers.
- * Level the bottom side of the adjustable pipe (5) with the ceiling of existing chimney.
- * Shorten the flexible hose to approximately 100 mm above the existing chimney top.
- * Attach the mounting plate / connecting piece (7) to the flexible hose on the roof. Clamp it with a hose band and secure it in place using a parker.
- * Attach the mounting plate / connecting piece (7) to the chimney top, using silicone sealant to make it watertight secure with stainless steel screws.
- * Install the roof terminal (9) and secure it in place using the supplied locking band (8).
- * The adjustable pipe (5) will stick about 100mm below ceiling/existing chimney. Mount the inner ceiling plate (4) gastight to the ceiling/existing chimney with silicone kit and fixing screws.
- * Position the unit in accordance with the instructions of the unit manufacturer.
- * Always install a minimum of 1 metre of concentric duct type THC CC (2).

8.6 Cleaning and maintenance

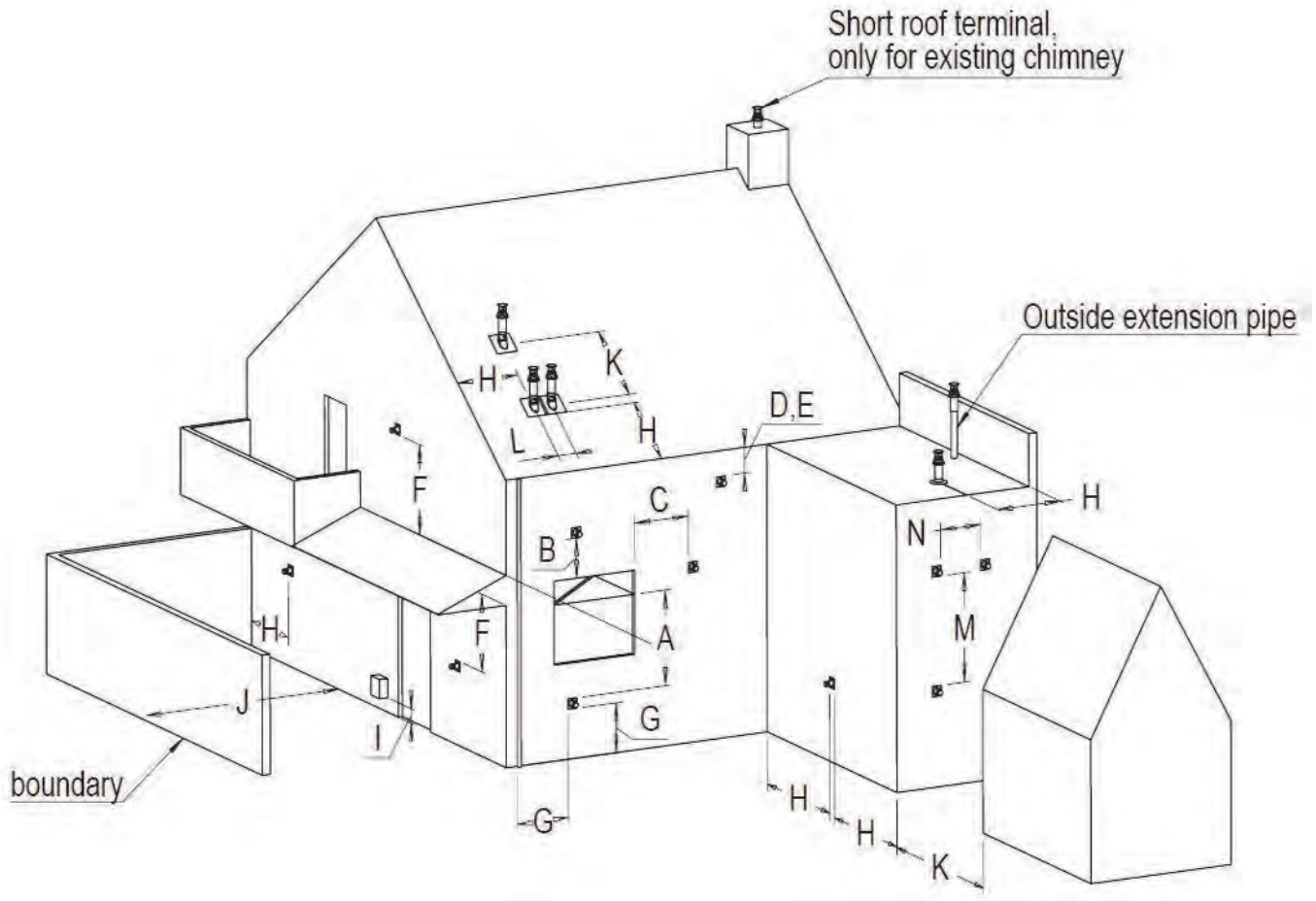
This appliance should be inspected and serviced once a year by a qualified, competent and registered person. The inspection and maintenance must at least ensure that the appliance is working correctly and safely. It is advisable to clean the appliance of any dust and debris before regularly during the heating season and especially if the appliance has not been used for some time. This can be done with a soft brush and a vacuum cleaner or a damp cloth and if required a non-abrasive cleaning agent. Do not use corrosive or abrasive substances to clean the appliance.

The Concentric flue system must be inspected and cleaned every 2 years.

Also control of:

- 1 Gas tightness of gas fire and concentric flue system.
- 2 The correct operation of the gas control and the ignition of the burner.

9. TERMINAL POSITIONS AND CORRECT FUNCTIONING



Dimensions	Terminal position	Distance mm
A	Distance to ventilation openings	Local*
B	Distance to ventilation openings	Local*
C	Distance to ventilation openings	Local*
D	Below a gutter soil pipes or drain pipes	500
E	Below eaves	500
F	Below carport, roof or balcony From Inner and outer corners	500
G	From a vertical soil pipes or drain pipes	300
H	Inside and outside of a corner	500
I	Above an outside gas pressure regulator	1000
	side of a gas pressure regulator	500
J	From a surface/boundary to a terminal	Local*
K	From a terminal facing a terminal	1000
L	From the centre of two roof terminals	450
M	Two Wall terminals above each other	1000
N	Two Wall terminals next each other	1000

***According local building regulations**

10. TROUBLESHOOTING LIST MERTIK GV60

No	ACTION		Possible problem/cause	Solution
1.	Option: wall switch START: press ON button > wall switch works.	NO →	Bent pin on switch, or cable not operating properly.	Straighten pin, replace wall switch or cable.
1.	Manual transmitter START: press both buttons to start ignition sequence. Beep will occur each second	NO →	Manual transmitter battery low.	Replace battery, 2x AAA 1.5V quality alkaline!
			Receiver batteries low.	Replace batteries, 2x AA 1.5V quality alkaline!
			Optional mains adapter not operating properly.	Check mains adapter.
			Check coding of transmitter and receiver.	Learn in new code, see instructions and label on receiver.
			Transmitter/receiver range limited.	1. Move antenna cable, see instructions. 2. Replace receiver.
			Optional wall switch / cabling not operating properly.	Replace wall switch / cabling.
			Receiver fuse blown (in older versions only).	Replace receiver.
	OK ↓			
2.	Magnet unit in gas valve is energised (audible click)	NO →	No beep	Impulse magnet not operating properly. Replace gas valve.
		NO →	3 short beeps	Receiver batteries low. Replace batteries, 4x 1.5V AA quality alkaline!
		NO →	1 long beep	ON/OFF switch on gas valve in OFF position Set switch to ON.
			8-wire cable between receiver and gas valve defective / poor contact.	Check cable, especially in case of plug connection.
			Switch cable disconnected.	Check switch cable, see fig. 1 on page 18
			Motor not operating properly.	Replace gas valve.
			Micro switch on gas valve not operating properly.	Replace gas valve.
	OK ↓			

No	ACTION	Possible problem/cause	Solution
----	--------	------------------------	----------

3.	<div style="border: 1px solid black; padding: 5px; width: 150px; height: 100px; display: flex; flex-direction: column; justify-content: space-between;"> <div>Continuous spark</div> <div>Spark will occur each second.</div> </div>	NO →	Ignition components not operating properly.	<div style="border: 1px solid black; padding: 2px;">Check connection between cable & IGN electrode.</div> <div style="border: 1px solid black; padding: 2px;">Check IGN electrode spark gap.</div> <div style="border: 1px solid black; padding: 2px;">Check IGN electrode for discharge to ground (break in ceramic).</div> <div style="border: 1px solid black; padding: 2px;">Check IGN cable for damage</div> <div style="border: 1px solid black; padding: 2px;">Increase distance between IGN cable and all metal parts. Check that spark does not discharge to ground at location of spark plug connection. Shorten cable if possible. If applicable, provide extra insulation with silicon hose etc.</div>
		NO →	IGN sequence stops, no pilot flame. No reaction to transmitter command (receiver does not react).	<div style="border: 1px solid black; padding: 2px;">Press RESET button, see instructions.</div> <div style="border: 1px solid black; padding: 2px;">Add ground wire between pilot burner and gas valve.</div> <div style="border: 1px solid black; padding: 2px;">Do not coil the IGN cable.</div> <div style="border: 1px solid black; padding: 2px;">Shorten IGN cable if possible.</div>
		NO →	IGN sequence stops, no pilot flame. Transmitter command is possible.	IGN sequence stops, no pilot flame. Transmitter command is possible.

OK
↓

4.	<div style="border: 1px solid black; padding: 5px; width: 150px; height: 30px;">Pilot lit.</div>	NO →	TC and SW cable reversed.	Check connection of cable to receiver and interrupter, see fig. 1.
			Impulse magnet not operating properly.	Replace gas valve.
			Short between interrupter and SW cable.	Check connection to interrupter.
			No gas magnet unit drops after 30 second audible count).	Check gas supply to gas valve.

OK
↓

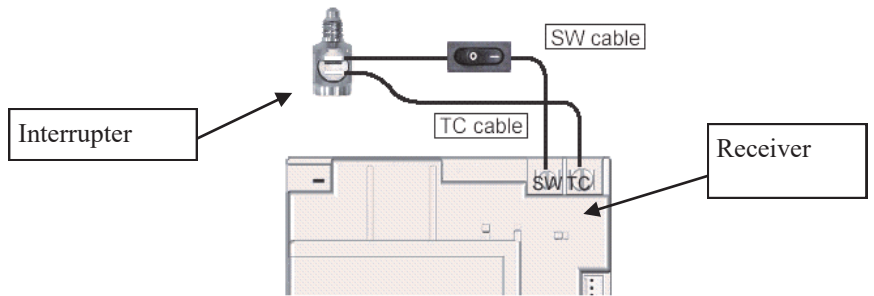


Figure 1

5.	<div style="border: 1px solid black; padding: 5px; width: 150px; height: 30px;">Sparkling stops after pilot is lit</div>	NO →	Short between interrupter and TC cable.	Check connection to interrupter, see fig. 1
			Electronic measuring amplifier defective.	Replace receiver.

OK
↓

No	ACTION	Possible problem/cause	Solution
----	--------	------------------------	----------

6. Motor turns to main gas and pilot stays lit.

NO →

Magnet unit drops (audible click)

Resistance in thermo current circuit too high.	Check cables and connections in thermo current circuit.
Not enough heat on thermocouple.	Check position of pilot to thermocouple and intensity of pilot flame.
Low voltage from thermocouple.	Check connections and, if necessary, replace thermocouple. Do not over tighten the connections!
Short because thermocouple end is damaged.	Replace thermocouple, do not overtighten the connections!

NO →

IGN sequence stops. No reaction to transmitter command (receiver does not react).	Press RESET button, see instructions.
	Add ground wire between pilot burner and gas valve.
	Do not coil the IGN cable.
	Shorten IGN cable if possible.

OK
↓

7. Main burner is lit.

NO →

Gas valve manual knob in "MAN" position.	Turn knob to "ON" position.
--	-----------------------------

OK
↓

8. Main burner stays lit.

NO →

Too much / too little air flow / draft at pilot, blows out or is smothered.	Check whether restriction plate has been correctly applied in unit, see instructions. Poor flue location, check correctness of layout and connections.
---	--

OK
↓

9. Magnet unit drops while motor turns. 3 beeps

NO →

Receiver batteries low.	Replace batteries, 1.5V AA quality alkaline!
-------------------------	--

System can be switched OFF via remote control.

YES
↓
OK

NO →

System can be switched OFF via ON/OFF switch.

YES
↓
OK

NO →

Short between TC and SW cable.	Check connection to interrupter block.
--------------------------------	--

OK → Replace gas valve.

INSTALLATIEVOORSCHRIFTEN

Trimline assortiment

1080

Trimline 2050 OH

INHOUDSOPGAVE

1. INSTALLATIEVOORSCHRIFTEN	Pag. 3
1.1 Algemeen voorschrift	
2. PLAATSEN VAN HET TOESTEL	Pag. 4
2.1 Aansluiting op de gasleiding	
2.2 Voorbereiding en plaatsing van het toestel	
2.3 Installatie Gasregeling GV60.	
3. PLAATSING KERAMISCHE HOUTSET EN OPTIONELE PEBBLE SET	Pag. 5
3.1 Plaatsing van de keramische houtset	
3.2 Plaatsing van de optionele Pebble set	
4. TECHNISCHE GEGEVENS GV60	Pag. 6
5. INSTRUCTIES VOOR MERTIK MAXITROL GV60 GASREGELBLOK	Pag. 7
6. GAS TECHNISCHE GEGEVENS	Pag. 8
7. CONCENTRISCHE TRAJECTEN	Pag. 9
8. CONCENTRISCH KANAALSYSTEEM	Pag. 10
8.1 Componenten van het concentrisch kanaalsysteem	
8.2 Opbouw concentrisch kanaalsysteem	
8.3 Montagevoorschriften bestaande rookkanalen	
8.4 Onderdelen	
8.5 Montage	
8.6 Reiniging en onderhoud	
9. DOORVOER POSITIES EN CORRECT FUNCTIONEREN	Pag. 12
10. STORINGSZOEKLIJST MERTIK GV60	Pag. 13
APPENDIX1 MAATTEKENINGEN	
APPENDIX2 INBOUWVOORBEELDEN	
APPENDIX3 INSTALLATIE VOORBEELDEN MET BETREKKING TOT ROOKKANALEN	
APPENDIX4 VOORBEREIDINGEN EN INSTALLATIE	
APPENDIX5 GAS CASSETE GV60 GEREED MAKEN VOOR INBOUW	
APPENDIX6 PLAATSING HOUTSET	
APPENDIX7 PLAATSING PEBBLE SET	

Voor België is deze instructie ook in Duitstalige uitvoering beschikbaar
Informeert u uw producent.

Für Belgien ist diese Bedienungsanleitung auch in Deutscher Sprache erhältlich.
Informieren Sie bei Ihrem Produzent

1. INSTALLATIEVOORSCHRIFTEN

LET OP

De installatie mag uitsluitend door een bevoegd persoon uitgevoerd worden

1.1 Algemeen voorschrift

- * De gashaard dient geplaatst, aangesloten en gecontroleerd te worden als een gesloten toestel door een erkend installateur, volgens de nationale, regionale en lokale normen en voorschriften.
- * Ook het afvoersysteem en de uitmondingen in gevel of dakvlak dienen te voldoen aan de geldende normen en voorschriften.
- * De temperatuur van de wanden en schappen in de omgeving van de zij en achterkant van het toestel mag de omgevingstemperatuur met niet meer dan 80°C overstijgen.
- * Het toestel is in combinatie met het concentrisch kanaalsysteem THC CC Ø100/ Ø150 mm goedgekeurd volgens de Europese CE-norm voor gastoeestellen, en mag daarom uitsluitend met dit systeem worden toegepast.
- * Het toestel dient door de installateur gecontroleerd te worden op lokale gasdistributie (gas- type en gas- druk) zo als aangegeven op het typeplaatje.
- * De instructie is alleen geldig als de desbetreffende landcode op het toestel is vermeld. Is dit niet het geval dan is het noodzakelijk de gas technische gegevens van het desbetreffende land te raadplegen en modificaties te overleggen met de fabrikant.
- * Bij de eerste keer stoken zal er lucht in de gasleiding zitten. De gasleiding dient daarom eerst ontlucht te worden.
- * Steek de kachel volgens het bedieningsvoorschrift aan en controleer of het vlambeeld gelijkmatig is. Na de eerste keer stoken dient u eventueel de aanslag op de glasruit, als gevolg van het uitmoffelen van het toestel, te verwijderen met behulp van een glasreiniger voor kachels.
Afstand tot brandbare materialen:
- * T.o.v. het front, zij- en bovenkant van het toestel zal een afstand van 1200 mm toegepast moeten worden vanaf het toestel tot aan: gordijnen, bekledingen en weefsels, en of ander brandbaar materiaal tenzij anders vermeld in deze instructie.
Afstand tot niet brandbare materialen:
- * Bij installatie van het toestel , zal een minimale afstand van 25 mm van de muur gehandhaafd moeten worden tenzij ander vermeld in deze instructie.



WAARSCHUWING

Gaskachels worden heet als ze in bedrijf zijn. Na inbouw van het toestel wordt het glasoppervlak beschouwd als actieve zone. Het glasoppervlak kan zeer heet worden.!

Opgelet! Dienovereenkomstig moet voorzichtigheid worden betracht en b.v. kinderen en hulpbehoevenden uit de buurt van brandende kachels worden geweerd. Ook mogen kachels niet op of tegen brandbare materialen worden geplaatst (gordijnen enz.).

Plaats het toestel nooit tegen of in een brandbare wand !

LET OP

Constructie materiaal voor schouwen en mantels etc. of bij een inbouw situatie moeten van onbrandbaar materiaal gemaakt zijn. Dit geldt tevens voor vloeren en plafonds. Gebruik nooit brandbare materialen nabij het toestel met inachtneming van de bovengenoemde voorschriften.

Als u twijfelt, raadpleeg dan uw leverancier

2. PLAATSEN VAN HET TOESTEL

LET OP

Voordat u het toestel plaatst is het aan te bevelen eerst Hoofdstuk 7 "Concentrisch kanaalsysteem"

2.1 Aansluiting op de gasleiding

Afhankelijk van de opstelling kunt u bepalen waar de gasleiding komt te liggen. Let erop dat tijdens het aansluiten de regelapparatuur niet wordt verdraaid en dat er geen overmatige spanningen optreden. De bereikbaarheid van diverse koppelpunten dient bij de betreffende componenten gewaarborgd te zijn. Controleer na het aansluiten de verbindingen op gasdichtheid. Gebruik in de toevoerleiding een 3/8" gaskraan met koppeling. Zorg er voor dat de gasleiding vrij van vuil of zand is, en dat gas en verbrandingsproducten van de diverse onderdelen en functies juist werken. De gas aansluiting dient spanningsvrij te geschieden. Dit ter voorkoming van beschadiging aan de gas regelapparatuur.

2.2 Voorbereiding en plaatsing (zie APPENDIX 5)

- * Verwijder de verpakking en controleer het toestel op mogelijke beschadigingen.
- * Let op! Plaats het toestel op een stabiele ondergrond.
- * Leg het toestel niet op de zij.
- * Zet het toestel op de plaats van bestemming.
- * De voorruit moet nu verwijderd worden om de toegevoegde onderdelen uit het toestel te kunnen halen.
- * Verwijder de sierlijst aan de onderzijde van de ruit.
- * Draai de schroeven van de onderste en bovenste glas houder los (2).
- * Door de meegeleverde zuignap(pen) in het midden op de glasruit te plaatsen is de ruit eenvoudig uit het toestel te nemen door deze eerst voorzichtig naar boven te bewegen en daarna de onderkant van de ruit heel voorzichtig en langzaam naar u toe te halen, om hierna de ruit vervolgens te plaatsen op een veilige plek waar de ruit niet kan breken of beschadigen (3).
- * Neem hierna de verpakte onderdelen uit het toestel en controleer deze op schade of breuk.
- * Plaats het toestel in de door u bepaalde inbouw situatie (zie APPENDIX2 voorbeeld inbouw situatie). Het toestel moet aan de achterkant direct aan de wand bevestigd worden (bevestigings materiaal niet meegeleverd) (4).
- * De poten van het toestel kunnen hoger of lager gesteld worden voor de grove afstelling. (Min 280 Max 460). (5)
- * De stelpoten geven de mogelijkheid het toestel verfijnd af te stellen.
- * Bouw de Gas Cassette in op de door u bepaalde inbouwsituatie nadat u de gasregelblok GV60 hebt gemonteerd, zie 2.3.
De afstand van de besturingskast en het toestel wordt bepaald door de kabel lengten welke van de besturingskast naar de waakvlambrander en het gas blok etc. Dat is Max. 1500 mm.
- * Positioneer de meegeleverde uitblaas roosters op minimaal 50 cm onder het plafond op de betreffende wand zie APPENDIX2 (voorbeeld inbouw situatie). Eventueel kan een verlaagd plafond van onbrandbaar materiaal binnenin het geheel uitkomst brengen bij een visueel belemmerend situatie.

LET OP

Temperatuur uit de uitblaas roosters kan op meer dan 100°C uitkomen. Voorzichtigheid is daarom geboden.

2.3 Installatie Gasregeling GV60. (zie APPENDIX 6)

De complete gasregeling is onder de gashaard gemonteerd. Het gasblok inclusief de branderautomaat moet door de installateur in de gas cassette gemonteerd worden. Hieronder procedure stap voor stap:

- * Nadat de glas ruit is weggenomen kunnen de onderdelen uit de gashaard worden gehaald ; plaats de gehele gas haard voorzichtig op de achterkant (1). U kunt de houten pallet te gebruiken om de gashaard te ondersteunen.
- * Verwijder de 2 tie wraps (kabelbinders) die de leidingen en kabels etc bijeen houden (2).
- * Verwijder de schroef van de gasklep beugel (3) zorgvuldig en verplaats het geheel naar de kant van de gas haard vanwaar u de gas cassette kan opbouwen.
- * Plaats de gasklep op de juiste positie op de achterzijde van het gas cassette.
- * Monteer de Gasklep inclusief beugel binnenin de gas cassette , en zet deze vast met de 2 vleugel moeren op de positie zoals aangegeven.
- * Schuif de Branderautomaat inclusief de beugel in de gas cassette en zet deze eveneens vast zoals aangegeven.
- * Plaats de volledige gas cassette in de omkasting van de gashaard. Houd de maximale afstand tussen gashaard en gas cassette in de gaten door de beperkte lengte van thermokoppel etc .
- * Zorg ervoor dat de buizen, ontstekingskabel en thermokoppel zonder trekspanning en scherpe bochten zijn aangebracht, dit moet ten allen tijde worden vermeden. Zorg ervoor dat de bougiekabel vrij ligt van metalen delen.

3. PLAATSING KERAMISCHE HOUTSET EN OPTIONELE PEBBLE SET

3.1 Plaatsing van de keramische hout set (zie APPENDIX6)

- * Verspreidt de lava korrels gelijkmatig over de brander en de branderplaat zodat deze net bedekt zijn. Gloeivlokken kunnen hier en daar neergelegd worden als decoratie.
- * Plaats vervolgens de houtblokken in de juiste volgorde zoals aangegeven op **APPENDIX6**.
- * Plaats de houtset zorgvuldig. Andere ligging kan ernstige invloed hebben het vuurbeeld of slecht functioneren van het brandproces (roeten).
- * Controleer voordat u de ruiten terug plaatst of er een restrictie plaat geplaatst moet worden of niet. Zie hiervoor hoofdstuk 7 "**Concentrische Trajecten**".
- * Monteer de restrictieplaat als deze voorgeschreven is voor uw situatie met de twee meegeleverde schroeven (zie **APPENDIX4** afb.4). Plaats de keerplaat terug in omgekeerde volgorde.
- * Plaats nu de ruit terug in omgekeerde volgorde zoals is beschreven op 2.2 en **APPENDIX4**.

3.2 Plaatsing van de optionele Pebble set (zie APPENDIX7)

- * Strooi vermiculite gelijkmatig over branderbed. Zorg ervoor dat de waakvlam vrij blijft.
- * Leg een rij pebbles van middelgrote en grote afmeting aan de voorzijde op de branderplaat.
- * Vul van voor naar achteren het branderbed op met kleine en middelgrote pebbles. Leg de pebbles op het branderbed zo dicht mogelijk tegen elkaar aan.
- * Vul de achterzijde van de branderplaat met middelgrote en grote pebbles.
- * Controleer voordat u de ruiten terug plaatst of er een restrictie plaat geplaatst moet worden of niet. Zie hiervoor hoofdstuk 7 "**Concentrische Trajecten**". Verwijder de keerplaat door deze aan de voorzijde van de plaat los te schroeven en dan naar achteren uit te nemen.
- * Monteer de restrictieplaat als deze voorgeschreven is voor uw situatie met de twee meegeleverde schroeven (zie **APPENDIX4**). Plaats de keerplaat terug in omgekeerde volgorde.
- * Plaats nu de ruit terug in omgekeerde volgorde zoals is beschreven op 2.2 en **APPENDIX4**.

OPMERKING: Bij het plaatsen van de houtset en de diverse gloeimaterialen dient men rekenschap te houden met:

A: Geen gloeimateriaal in of op waakvlambrander.

B: Voorkom dat er keramisch materiaal op het koord van de ruitzitting terecht komt. Verwijder dit eventueel. De ruit kan hierdoor beschadigd raken.

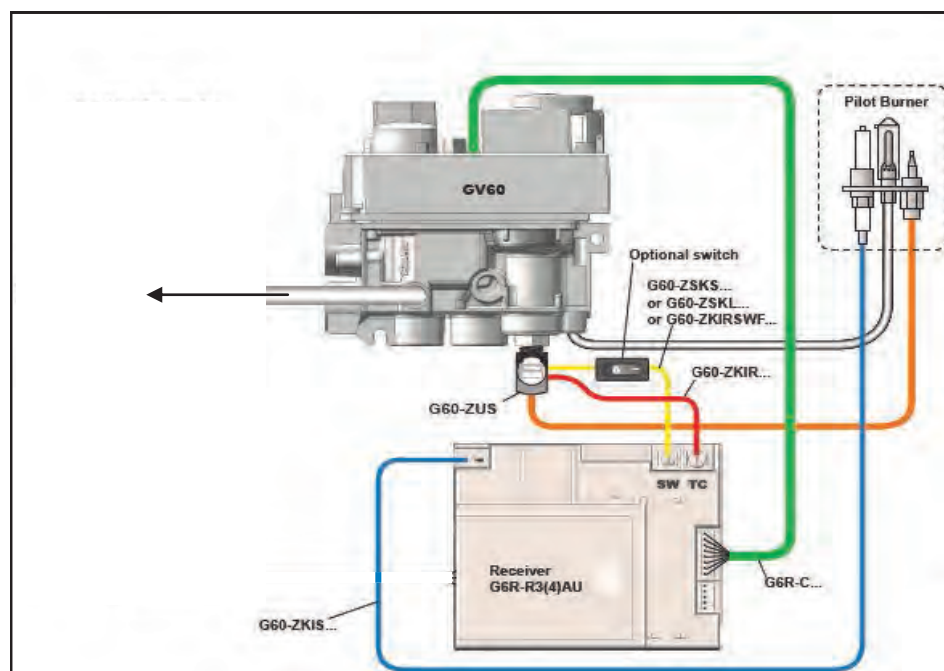
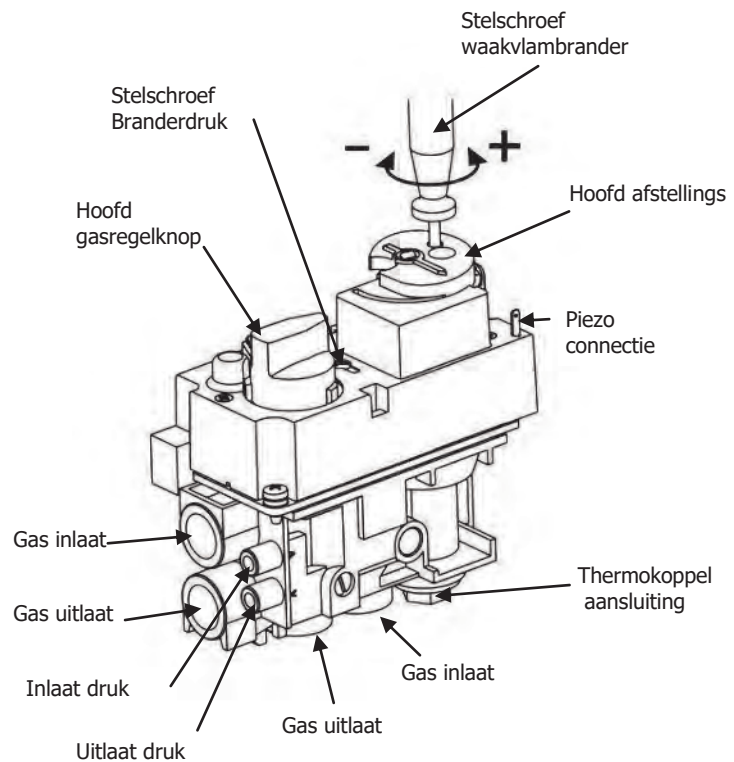
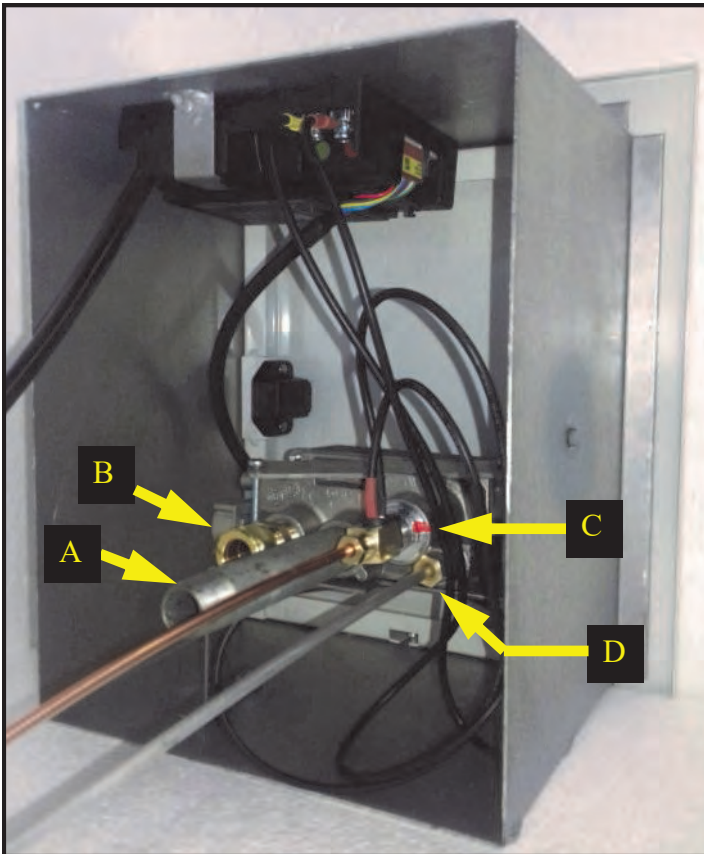
C: Sleuf rondom de brander moet vrijgehouden worden van gloei materiaal. Teveel geplaatste gloeimateriaal kan het verbrandingsproces beïnvloeden.

LET OP

ZORG ER ALTIJD VOOR DAT DE WAAKVLAM VRIJ BLIJFT VAN WELK MATERIAAL DAN OOK !

4. TECHNISCHE GEGEVENS GV60

Gas blok type	: Mertik GV60 M1
Branderautomat type	: B6R R8U
Ontsteking	: Afstand bediening en Piëzo ontsteking
Gas aansluiting	: 3/8 " (Uitwendig) A =Gas inlaat B =Gas uitlaat C =Thermokoppel aansluiting D =Waakvlambrander aansluiting
Toestel categorie	: C11-C31-C91
Waakvlam	: SIT 3 vlam
Verbrandingsgas afvoer en Verbrandingsluchttoevoer	: Concentrisch: Ø100/ 150 mm



LET OP

VERZEGELDE ONDERDELEN MOGEN NIET AANGEPAST WORDEN

5. INSTRUCTIES VOOR MERTIK MAXITROL GV60

WAARSCHUWING

Het is verboden het toestel op te starten indien ruit(en) niet aanwezig is of zijn en of gebroken!

Zie er op toe dat de aan het toestel toegevoerde brandstoffen schoon zijn en vrij zijn van stofdeeltjes en vocht.

Voordat een gastoevoerleiding (nieuw of bestaand) wordt aangesloten aan de hoofdgasleiding bij de gas meter en aan het gas regelblok van het toestel dient deze te zijn doorgeblazen met schone en droge perslucht. Afgesneden koperleidingen maar ook de aluminium waakvlamleiding dienen te worden ontbraamt en schoongebazen alvorens deze aan te sluiten.

Warmte, vocht en stof vormen een bedreiging voor alle elektronica

Bescherm de elektronische (gas) besturing *totdat* alle bouw-, stuc- en schilderswerkzaamheden zijn voltooid. Moeten onverhoopt nog dergelijke werkzaamheden worden verricht, bescherm deze dan tegen indringend vuil en vocht met bijvoorbeeld plastic folie.

WAARSCHUWING

Elektronica raakt blijvend defect wanneer deze wordt blootgesteld aan temperaturen hoger dan 60°C. Reguliere AA batterijen barsten open bij >54°C waarna de inhoud hiervan de onderliggende elektronische schakelingen beschadigt. Batterijen hebben de langste levensduur bij <25°C. Bij >50°C bedraagt deze levensduur nog ca. 23 weken, dit maakt het gebruik van de gashaard onnodig kostbaar.

Plaats gas regelblok en ontvanger enkel zoals voorgemonteerd in de fabriek.

Bedenk dat op een later tijdstip onderdelen eventueel vervangen moeten worden of reparaties worden verricht. Het plaatsen van de besturing op een wijze afwijkend van de door ons voorgeschreven methode kan dit bemoeilijken.

Plaats de batterijen, enkel *nadat alle* bedrading van ontvanger, gasregelblok en waakvlamset is Verbonden. Voortijdige verbinding met de stroombron kan de elektronica beschadigen.

Voorkom dat de ontstekingskabel zich in de nabijheid van de antenne draad bevindt of dat beiden elkaar kruisen. De hoge spanning die vrijkomt bij de ontsteking kan het gevoelige ontvangercircuit van de antenne beschadigen. Het is mogelijk dat het toestel hierna verminderd of geheel niet meer op commando's van de handset reageert.

LET OP

Draai de contactonderbreker en de thermokoppelverbinding *niet* te vast op het gas regelblok!

Handvast plus een halve slag met een steeksleutel is ruimschoots voldoende. Te vast aandraaien vernielt de aansluiting van de onderliggende magneet spoel dan wel de isolatie rond de aluminium contact pen in de onderbreker. Hierdoor is het mogelijk dat de magneetspoel de gastoevoer naar de waakvlam niet opent en het toestel niet functioneert.

Verleng het bijgeleverde thermokoppel alleen met de originele verlengset. (verkrijgbaar via uw leverancier)

Ongeoorloofde verlenging van het thermokoppel heeft spanningsvermindering tot gevolg, hierdoor kan de magneetspoel niet worden geactiveerd.

Voorkom lekkage van de ontsteekvonk naar andere delen van de installatie dan de ontsteekpen bij de waakvlam

Houd de ontsteekkabel vrij van romp of andere metalen onderdelen. Indien kabelverlenging wordt toegepast, zie er op toe dat verbindingen extra worden geïsoleerd met siliconentule.

Voor automatische start via de handzender dienen de ontvanger en de bedieningsorganen op het gasregelblok te zijn ingeschakeld

De ovale schijf op het gas regelblok dient op stand ON' te zijn gedraaid. De I/O schakelaar dient op 'I' te zijn afgesteld. De ontsteekkabel moet op het ontvangstkastje zijn aangesloten bij het aansluitpunt 'SPARK'.

De handzender bevat de thermostaatvoeler van het systeem

De handzender functioneert het best op 2 á 3 m afstand van het toestel. Hoewel de communicatie via korte golf radiosignalen plaatsheeft, is het aan te bevelen de handzender in het 'zicht' van het gastoestel te leggen, op een plaats waar de gebruiker een behaaglijke temperatuur wil beleven. Leg de handzender *niet* in zonnestraling of op andere warme plaatsen. De thermostaat meet die temperatuur en regelt de vlamhoogte van het gastoestel overeenkomstig

LET OP

VERZEGELDE ONDERDELEN MOGEN NIET AANGEPAST WORDEN

Verwijder batterijen enkel met het rode lintje welke onder de batterijen zit, *niet met metalen gereedschap*

Het verwijderen van batterijen met een metalen voorwerp kan de elektronische besturing blijvend beschadigen.

LET OP

Wachttijd van 3 minuten tussen iedere startpoging

6. GAS TECHNISCHE GEGEVENS

TOESTEL		1080		
GASTYPE		G20	G25	G30/31
LAND		NO/DK/ES/PT/DE/IE/GB/ BE/FR/IT/LV/SI/SK/EE/ HU/LT	NL/DE	NL/NO/DK/DE/ES/PT/IE/ GB/ BE/FR/LV/SI/EE/HU/ LT/PL/CY/MT/IT
CATEGORIE		I2H/I2E/I2E+	I2I/I2ELL	I3B/P/I3+
PRIMAIRE LUCHT		1x Ø8	1x Ø5	3x Ø16
VOORDRUK	mBar	20	20/25	30/37
BRANDERDRUK HIGH	mBar	11.1	11.6/13.6	28.7/36.6
BRANDERDRUK LOW	mBar	3.5	5.2/5.9	14.4/23.4
INSP BORING	Ø MM	2.6	2.6	1.3
WAAKVLAM INSP	CODE	51	51	30
KLEINST BORING	MM	1.7	1.7	1.3
BELASTING Hi	kW	8.8	8.6	8.5/7.4
BELASTING Hs	kW	9.8	9.5	9.1/7.7
VERBRUIK	m3/h	1.05	1.08	0.26/0.48
NOM.VERMOGEN	kW	7.3	7.1	6.85/5.78

Alle toestellen NoX Klasse 5

AT	I2H, I3B/P	BE	I2E+, I3+	DK	I2H, I3B/P	DE	I2ELL, I3B/P
FI	I2H, I3B/P	FR	I2E+, I3+	GR	I2H, I3B/P	GB	I2H, I3+
IS	I3B/P	IE	I2H, I3+	IT	I2H, I3+	LU	I2E, I3B/P
NL	I2L, I3B/P	NO	I3B/P	PT	I2H, I3+	ES	I2H, I3+
SE	I2H, I3B/P	CY	I3B/P, I3+	EE	I2H, I3B/P	LT	I2H, I3B/P
LV	I2H, I3B/P	MT	I3B/P	HU	I2H, I3B/P	PL	I3B/P
SI	I2H, I3B/P	SK	I2H	TR	I2H, I3B/P		

7. CONCENTRISCHE TRAJECTEN

Tabel concentrische trajecten						
Traject	Afbeelding	X totaal in meter		Y totaal in meter		Restrictie
		min*	max*	min*	max*	
						1080
Indirecte geveluitmondung	A-B	1	3	0	3	
Dakdoorvoer zonder verslepingen	C	2	12			vanaf 3 meter
Dakdoorvoer met versleping 45 graden**	D	3	12	0	4	vanaf 3 meter
Dakdoorvoer met versleping 90 graden***	E	1	12	0	2	vanaf 3 meter

Bocht 45 graden: rekenlengte 1 meter

Bocht 90 graden: rekenlengte 2 meter

* lengte exclusief dak -of geveluitmondungen. Altijd startlengte 1 meter aanhouden!

** Verhouding verticaal : horizontaal $X + X1 + X2 : Y \geq 2 : 1$

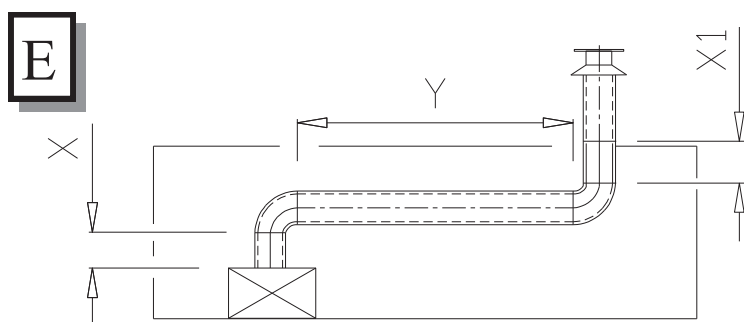
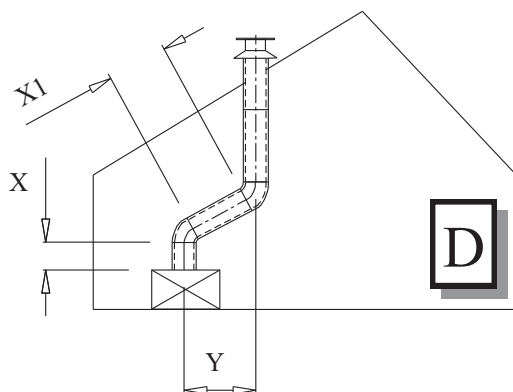
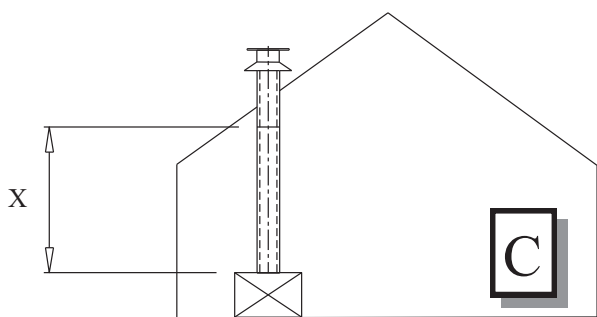
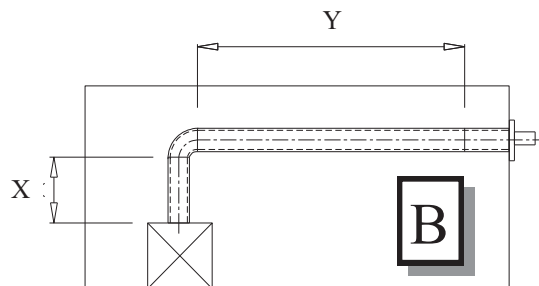
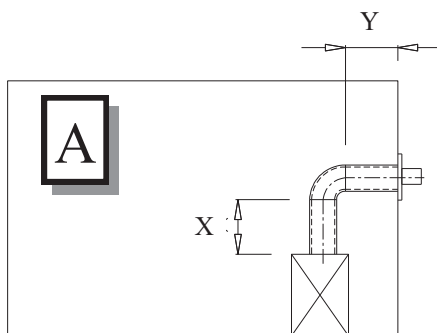
*** Verhouding verticaal : horizontaal $X + X1 : Y \geq 2 : 1$

Restrictie bepaling:

Geveldoorvoer - 1 meter verticaal, 90 ° bocht, Max.3 meter horizontaal, geveldoorvoer geen restrictie.

Dakdoorvoer - 2 tot 5 meter verticaal .Dakdoorvoer restrictieplaat van 35mm plaatsen.

Dakdoorvoer - 5 t/m 12 meter verticaal + dakdoorvoer restrictieplaat 52 mm plaatsen.



8. CONCENTRISCH KANAALSYSTEEM

Het concentrisch kanaal systeem is samengesteld uit een binnenkanaal en een buitenkanaal. Deze kanalen zijn concentrisch opgesteld; door het binnenkanaal worden de verbrandingsgassen afgevoerd, tussen binnen en buiten kanaal wordt de verse verbrandingslucht toegevoerd.

8.1 Componenten van het concentrisch kanaalsysteem.

Met behulp van het concentrisch kanaalsysteem zijn verschillende aansluitingen mogelijk:

Door het dakvlak en door de gevel.

Het traject van dit systeem is op verschillende wijzen aan te leggen,

maar er zijn enkele belangrijke voorwaarden:

- * Totale toegestane verticale kanaallengte niet langer dan 12 meter (som van kanaallengte en de rekenlengtes voor de bochten).
- * Bochten 90° hebben een rekenlengte van 2 meter horizontaal.
- * Bochten 45° hebben een rekenlengte van 1 meter horizontaal.
- * De uitmonding kan op elke willekeurige plaats in het dakvlak of gevel geschieden (aan en afvoer in identiek drukgebied), maar moet voldoen aan de geldende voorschriften.
- * Kanaal trajecten mogen niet geïsoleerd worden

LET OP

- * Zorg ervoor dat de restrictieplaat juiste manier gemonteerd wordt zoals aangegeven in deze instructie.
- * De juiste restrictieplaat zal het toestel, het meest optimale rendement, vlambeeld en verbranding geven.
- * Montage van een foutief geplaatste restrictieplaat kan storingen aan het toestel veroorzaken.

8.2 Opbouw concentrisch kanaalsysteem CC

Indirecte gevel aansluiting .

- * De uitmonding kan ook in een boven afvoer situatie in de gevel geschieden, houdt rekening met hinder naar omgeving, volgens de nationale, regionale, lokale normen en voorschriften. Let ook op dat de wind druk ook hier op de uitmonding niet te extreem is zoals een balkon, plat dak, hoeken en in zeer smalle stegen etc., daar dit de prestaties van het toestel negatief kan beïnvloeden.
- * Verzorg een sparing in de gevel van rond 155 mm of 205 mm bij gebruik van Ø130-200 kanalen (in een niet vuurvaste gevel extra ruimte van 50 mm. rondom de buitenbuis houden) en monteer de geveldoorvoer met de muurplaat aan de binnenzijde van de wand. Aan de buitenzijde dient de muurplaat van de geveldoorvoer voldoende tegen de muur te worden af gedicht; dit i.v.m. lekkagemogelijkheid van vocht c.q. rookgassen de woonruimte in.
- * Indien noodzakelijk, dient het kanaal te worden omkokert. Ook als het kanaal langs niet vuurvaste materialen gemonteerd gaat worden, dienen er voldoende brandwerende maatregelen te worden genomen.
- * Bepaal de positie van het toestel en de uitmonding en begin de opbouw van het kanaal met de aansluiting op het toestel , let op de montagerichting en verbindt de elementen d.m.v. de klembanden aan elkaar.
- * Tussen bochten, of bij de aansluiting op het toestel , kan gebruik worden gemaakt van de paspijp. Gebruik, indien noodzakelijk, muurbeugels ter ondersteuning van het kanaal.

Montage dakdoorvoering

- * De uitmonding kan op een willekeurige plaats in het dakvlak geschieden (aan- en afvoer in identiek druk gebied), en moet voldoen aan de geldende voorschriften.
- * Voor een waterdichte doorvoering kan gebruik worden gemaakt van een dakplaat plat voor platdak, of een dakplaat lood voor hellende pannendaken. Indien nodig kan er worden verslept m.b.v .diverse bochten. De sparing in het dakbeschot dient 5 cm. rondom groter te zijn, dit i.v.m . voldoende brandwerendheid.
- * Er moet rekenschap gehouden worden met de bepaling (Zie hiervoor de nationale, regionale, lokale normen voorschriften) van de weerstand tegen branddoorslag tussen ruimten. Er dient een omkokering van brandvrij materiaal (b.v . 12 mm. Promatect brandwerende plaat) te worden toegepast op 25 mm vanaf het buiten kanaal.
- * Bepaal de positie van het toestel en de uitmonding en begin de opbouw van het kanaal met de aansluiting op het toestel (altijd eerst 1 meter verticaal), let op de montagerichting. Binnenkanaal moet afwaterend gemonteerd worden. Verbindt de elementen d.m.v .de klembanden aan elkaar. Zorg ervoor dat alle verbindingen goed gasdicht zijn.
- * Tussen bochten, of bij de aansluiting op het toestel c.q. dakdoorvoer, kan gebruik worden gemaakt van een paspijp. Gebruik op elke verdieping 2 muurbeugels ter ondersteuning van het kanaal

8.3 Montagevoorschriften bestaande rookkanalen. (zie APPENDIX3)

Voorschriften

Dit rookgasafvoersysteem valt onder de cat.: C91 en moet opgebouwd worden volgens de nationale regelgeving en de voorschriften van de fabrikant, zoals aangegeven in de documentatie en de installatievoorschriften.

Dit houdt o.a. in dat de schoorsteen doorvoer niet kleiner mag zijn dan rond / vierkant 150 mm doch niet groter dan 200 mm en niet geventileerd door roosters etc. Bij grotere schoorsteen doorvoeren kan eventueel een flexibele slang van rond 150 mm toegepast worden in combinatie met een flexibele slang rond 100 zoals hieronder omschreven. Andere situaties dient u te overleggen met uw leverancier / fabrikant.

8.4 Onderdelen

Controleer alle onderdelen op eventuele beschadigingen voordat u met de montage begint.

Voor de ombouw van een gemetseld kanaal tot concentrisch kanaal, aansluitend op CC kanaal systeem, heeft u de de onderdelen nodig aangegeven in APPENDIX3 onderdelen nodig:

OPMERKING: De renovatie / saneringsset bestaat uit de onderdelen 4, 5, en 7

8.5 Montage

- * Voer de flexibele slang (6) door het bestaande kanaal (8).
- * Bevestig het schuifstuk (5) aan de onderzijde van de flexibele slang, en borg deze met twee parkers.
- * Houdt de onderzijde van het schuifstuk gelijk met de onderzijde van het kanaal of het plafond. Kort de flexibele slang af op ca.100 mm boven de kop van de schoorsteen.
- * Bevestig de montageplaat bovendaks (7) aan de flexibele slang, klem deze met een slangklem RVS rond 90 tot 165, borg het geheel met een parker.
- * Bevestig de montageplaat bovendaks (7) waterdicht op de kop van de schoorsteen m.b.v. siliconenkit en RVS schroeven.
- * Monteer de dakdoorvoer (9) en borg deze met de meegeleverde klemband (10)
- * Na montage zal het schuifstuk (5) ca. 100 mm onder het kanaal of plafond uitsteken.
- * Bevestig de montageplaat binnen (4) gasdicht tegen de onderzijde van het bouwkundige kanaal of tegen de onderzijde van de betonnen vloer m.b.v. siliconenkit en schroeven.
- * Plaats het toestel volgens de voorschriften van de toestelfabrikant
- * Monteer minimaal 1 meter concentrisch kanaal type THC CC (2).
- * Verleng het concentrische kanaal met behulp van secties (2) tot minimaal 100 mm in het bouwkundige kanaal. Draai tenslotte de klemband in de montageplaat binnen (3) handvast.

8.6 Reiniging en onderhoud

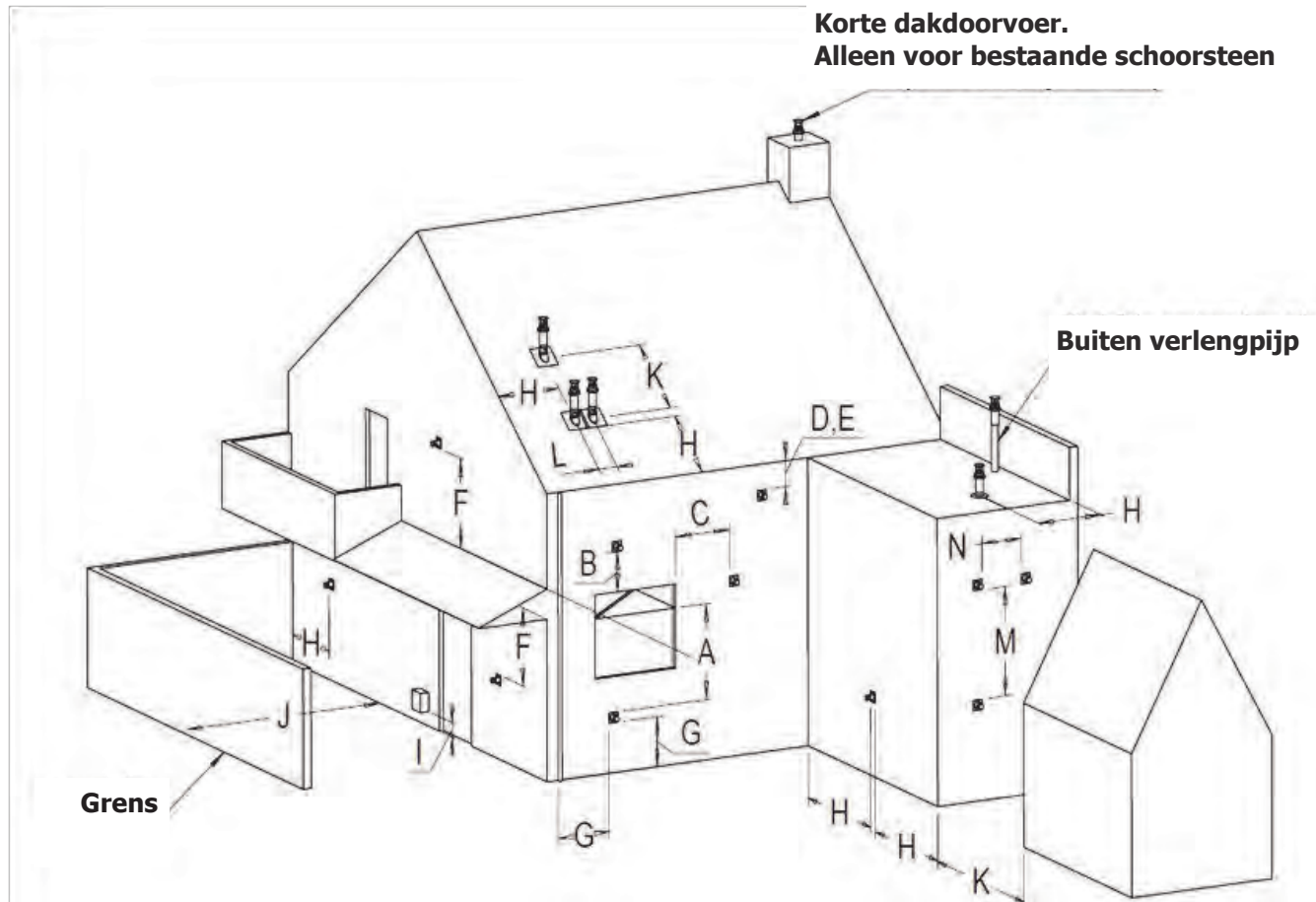
Dit toestel moet door een gekwalificeerd, erkend en geregistreerd persoon worden geïnspecteerd en onderhouden ten minste een keer per jaar. De controle en het onderhoud moeten minstens garanderen dat het apparaat correct en veilig werkt. Het is raadzaam om het apparaat regelmatig van stof en vuil te reinigen tijdens het stookseizoen en vooral wanneer het apparaat niet gebruikt is gedurende langere tijd. Dit kan gedaan worden met een zachte borstel en een stofzuiger of een vochtige doek en indien nodig een niet-schurend reinigingsmiddel. Gebruik geen agressieve of bijtende stoffen om het toestel te reinigen.

Het Concentrisch Kanaal systeem dient elke 2 jaar gereinigd te worden.

Tevens controle op:

- 1 Dichtheid van het gas verbranding producten en verbrandingslucht toevoercircuit.
- 2 De juiste werking van het gas- regelblok en het ontsteken van de brander.

9. DOORVOER POSITIES EN CORRECT FUNCTIONEREN

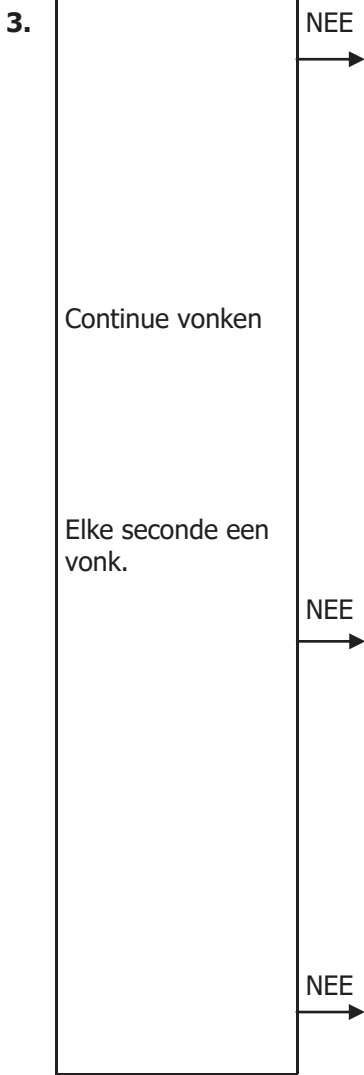


Afmetingen	Afvoer posities	Afstand mm
A	Afstand tot ventilatieopeningen	lokaal
B	Afstand tot ventilatieopeningen	lokaal
C	Afstand tot ventilatieopeningen	lokaal
D	Hieronder een goot bodem pijpen of afvoerleidingen	500
E	onder dakranden	500
F	Onder een carport, dak of balkon bij Binnen en buitenhoeken	500
G	Vanuit een verticale bodem pijpen of afvoerleidingen	300
H	Binnen en buiten een hoek	500
I	Hierboven een uitwendige gasdrukregelaar	1000
	zijde van een gasdrukregelaar	500
J	Belending afstand gevel afvoer	lokaal
K	Dak afvoer hart op hart	1000
L	Vanuit het hart van beide dak afvoeren	450
M	Twee Muur afvoeren boven elkaar	1000
N	Twee Muur afvoeren naast elkaar	1000

Volgens lokale bouwvoorschriften

10. STORINGSZOEKLIJST MERTIK GV60

No	ACTIE		Mogelijk probleem/oorzaak	Oplossing
1.	Optie: wandschakelaar START: druk op ON knop > wandschakelaar werkt.	NEE →	Gebogen pinnen schakelaar, of kabel breuk/defect.	Pinnen richten, wandschakelaar of kabel vervangen.
1.	Handzender START: druk op de knop voor startprocedure. 2 korte piepjes	NEE →	Handzender batterij slecht.	Vervang batterij, 2x AAA 1.5V Alkaline kwaliteit!
			Ontvanger batterijen slecht.	Vervang batterijen, 4x 1,5V AA Alkaline kwaliteit!
			Optionele netstroom adapter werkt niet.	Controleer netstroom adapter.
			Handzender/ ontvanger code controleren.	Op nieuw code in leren.
			Zender/ontvanger zendbereik is beperkt.	1. Antenne kabel verplaatsen, zie instructie. 2. Vervang ontvanger.
			Optionele wandschakelaar/ bekabeling werkt niet goed.	Vervang wandschakelaar/ bekabeling.
			Zekering ontvanger defect (alleen oudere versies).	Vervang ontvanger.
	OK ↓			
2.	Magneet unit in gasklep wordt bekrachtigd (hoorbare klik)	NEE →	Geen piep signaal	Magneet spoel gasklep werkt niet. Vervang gasregelklep volledig.
		NEE →	3 korte piep signalen	Ontvanger batterijen slecht. Vervang batterijen, 4x 1,5V AA Alkaline kwaliteit!
		NEE →	1 lang piep signaal.	ON/OFF schakelaar op gasregelklep in OFF positie Schakelaar op ON zetten.
			8 aderige kabel tussen ontvanger en gasregelklep defect/slecht contact.	Controleer kabel m.n. bij stekerverbinding.
			Schakelaar kabel onderbroken.	Controleer schakelaar kabel
			Motor werkt niet goed.	Vervang gasregelklep volledig.
			Microswitch op gasregelklep werkt niet goed.	Vervang gasregelklep volledig.
			Thermokoppelonderbreker niet goed aangesloten of aangedraaid	Vervang thermokoppelonderbreker
	OK ↓			

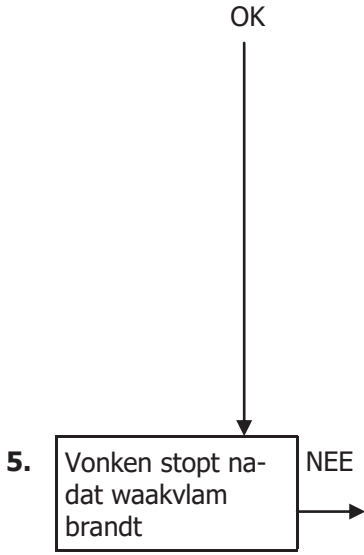
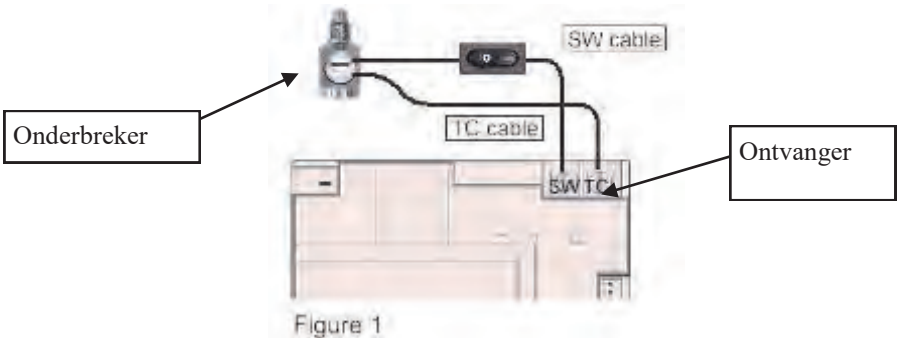


Ontstekingscomponenten functioneren niet.	Controleer vonkkabel tussen ontvanger en vonk pen op juiste verbinding. Controleer afstand vonk pen en waakvlam kop. Controleer vonk pen op doorslag naar massa(breuk in keramiek) Controleer vonkkabel op breuk Controleer of vonkkabel vrij ligt van metalen delen. Controleer of vonk t.p.v. verbinding ontsteekkaars niet overspringt op massa. Kort indien mogelijk kabel in. Eventueel extra isoleren met siliconen slang o.i.d.)
Ontsteking procedure stopt, geen waakvlam. Geen reactie meer bij gebruik afstandbediening (ontvanger reageert niet meer).	Druk op RESET knop, zie instructie. Maak massakabel tussen waakvlambrander en gasregelklep. Vonkkabel niet oprollen. Kort ontsteekkabel in indien mogelijk.
Ontsteking procedure stopt, geen waakvlam. Wel reactie ontvanger bij gebruik afstandbediening.	Vervang batterijen in ontvanger, 1,5V AA Alkaline kwaliteit!

OK ↓

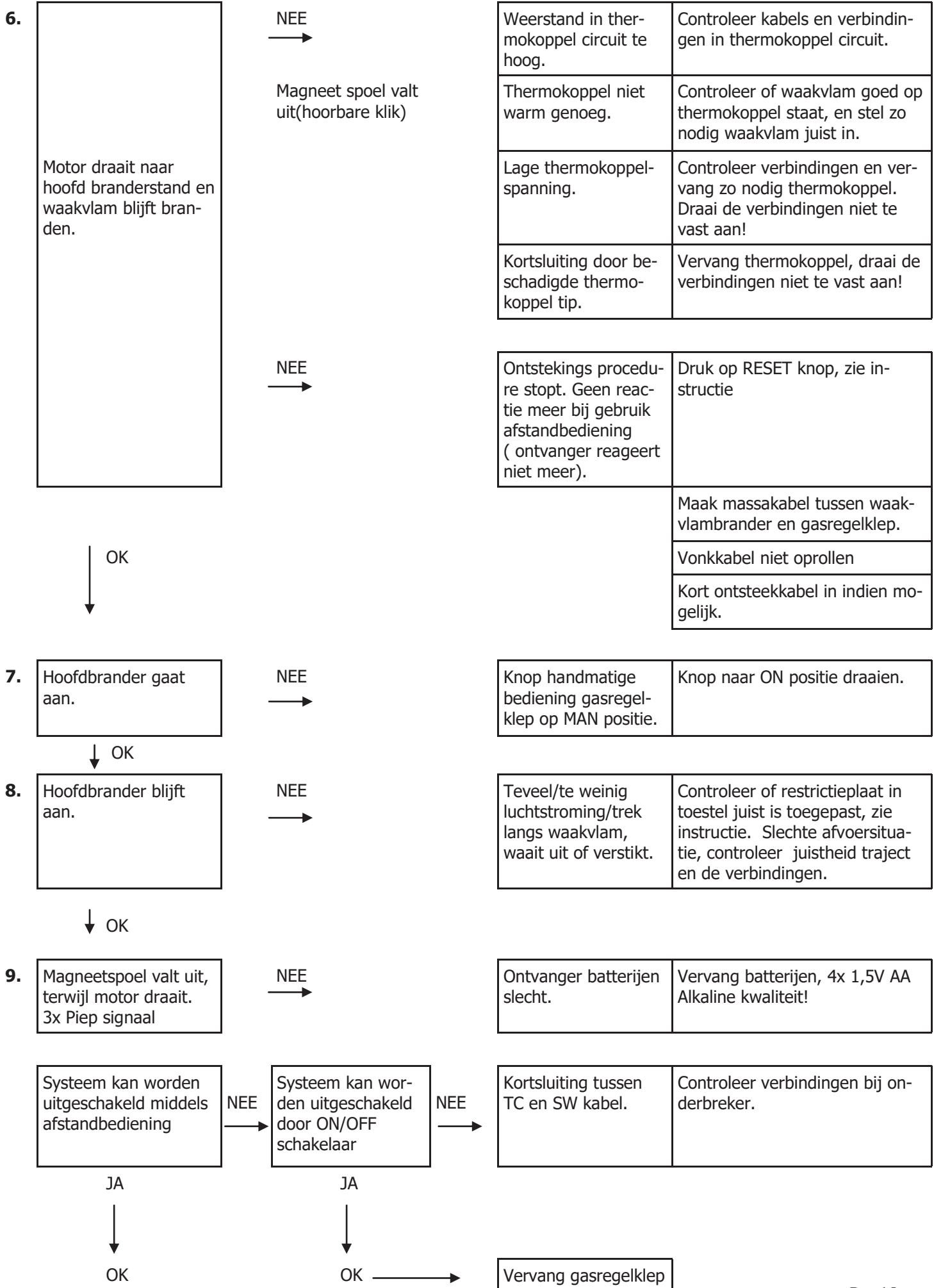


TC- SW kabel omgedraaid.	Controleer steker aansluitingen op ontvanger en onderbreker., zie fig 1.
Magneet spoel gasklep werkt niet.	Vervang gasregelklep volledig.
Kortsluiting tussen onderbreker en SW kabel	Controleer verbindingen onderbreker.
Geen gas(magneetspoel valt uit na 30 sec. hoorbare piepsignalen)	Controleer gastoevoer naar gasregelklep.



Kortsluiting tussen onderbreker en TC kabel.	Controleer verbindingen bij onderbreker, zie fig. 1
Elektronische meetversterker defect.	Vervang ontvanger.

OK ↓



INSTRUCTIONS DE D'INSTALLATION

Trimline assortiment

1080

Trimline 2050 OH

SOMMAIRE

1. INSTRUCTIONS DE D'INSTALLATION	Pag. 3
1.1 Généralités	
2. INSTALLATION DE L'APPAREIL	Pag. 4
2.1 Raccordement à la conduite de gaz	
2.2 Préparation et installation	
2.3 Installation réglage de gaz GV60.	
3. POSITIONNEMENT DE BOIS CÉRAMIQUE ET EN OPTION PEBBLES SET	Pag. 5
3.1 Placement de bois en céramique	
3.2 placement optionnel Pebbleset	
4. DONNÉES TECHNIQUES GV60	Pag. 6
5. INSTRUCTIONS POUR MERTIK MAXITROL GV60	Pag. 7
6. DONNÉES TECHNIQUES POUR LE GAZ	Pag. 8
7. TRAJETS CONCENTRIQUES	Pag. 9
8. SYSTÈME DE CONDUITS CONCENTRIQUES CC	Pag. 10
8.1 Eléments du système de conduits concentriques	
8.2 Agencement du système de conduits concentriques CC	
8.3 Instructions de montage pour les conduits de fumée existants	
8.4 Eléments	
8.5 Montage	
8.6 Nettoyage et entretien	
9. POSITION FINALE ET FONCTIONNEMENT CORRECT	Pag. 12
10. PROBLÈMES ET LEURS SOLUTIONS POSSIBLES	Pag. 13
ANNEXE 1	DESSINS DETAILLE
ANNEXE 2	EXEMPLES DE MONTAGE
ANNEXE 3	EXEMPLES D'INSTALLATION RELATIFS AUX CANAUX
ANNEXE 4	VUE ÉCLATÉE ET PIÈCES DE RECHANGE
ANNEXE 5	PRÉPARATION ET INSTALLATION
ANNEXE 6	PRÉPARATION À L'INSTALLATION GV60
ANNEXE 7	POSITIONNEMENT DE BOIS CÉRAMIQUE
ANNEXE 8	INSTALLATION EN OPTION PEBBLES SET

Pour la Belgique, ces instructions sont aussi disponibles en allemand.
Informez-vous auprès de votre fabricant

Für Belgien ist diese Bedienungsanleitung auch in Deutscher Sprache erhältlich.
Informieren sie bei Ihren Produzent.

1. INSTRUCTIONS DE D'INSTALLATION

ATTENTION

L'installation peut seulement être réalisée par une personne qualifiée

1.1 Généralités

- * Le foyer à gaz doit être placé, raccordé et contrôlé comme un foyer fermé par un installateur Agrée, selon les normes et règles nationales, régionales et locales.
- * Le système d'évacuation et les sorties dans la paroi extérieur et sur le toit doivent être conforme aux normes et règles en vigueur.
- * La température des parois et dans l'environ des côtés et l'arrière du poêle ne peut pas dépasser la température ambiante de plus de 80°C.
- * L'appareil est, en combinaison avec le système de conduit concentrique THC CC Ø100/ Ø150 mm ou Ø130/ Ø200mm, approuvé selon la norme Européenne CE pour les appareils à gaz et peut donc seulement être appliqué avec ce système.
- * L'appareil doit être contrôlé par l'installateur pour la distribution locale de gaz (gaz- type et gaz- pression) comme noté sur la plaquette.
- * L'instruction est applicable uniquement si le code du pays concerné est imprimé sur l'appareil. Si ce n'est pas le cas, il est nécessaire de consulter les données techniques de gaz du pays concerné et de discuter de modifications avec le fabricant.
- * Au premier allumage, il y aura de l'air dans le conduit à gaz. C'est pourquoi il faut d'abord purger le conduit.
- * Allumer le poêle selon la notice et contrôler si la flamme brûle d'une manière uniforme. Après avoir brûlé une première fois vous aller devoir nettoyer la vitre à l'aide d'un nettoyant à vitre pour poêles.
Distance de matériaux inflammables:
- * Une distance de 1200 mm doit être prévue de l'avant, du dessus et des côtés par rapport aux rideaux, tissus et autres matériaux inflammables. Sauf si indication contraire dans cette notice.
Distance de matériaux non-inflammables:
- * Prévoyez une distance minimale de 25 mm de la paroi pour l'installation, sauf si indication contraire dans cette notice.



AVERTISSEMENT

Après l'installation du appareil, la surface du verre est considérée comme zone active. Les poêles à gaz deviennent très chauds lorsqu'ils brûlent. Il faut donc être prudent et éloigner par exemple les enfants et les invalides des poêles qui brûlent. Les poêles ne doivent pas non plus être installés sur ou contre un matériau inflammable (rideaux etc.).

Ne placer jamais l'appareil contre une paroi inflammable!

ATTENTION

Du matériel de construction pour cheminées, manteaux etc. doivent être fait de matériel ininflammable. Ceci également pour les sols et plafonds. N'utiliser jamais du matériel inflammable près de l'appareil. Si vous avez des doutes, consulter votre installateur.

2. INSTALLATION DE L'APPAREIL

ATTENTION

Avant d'installer l'appareil, nous vous conseillons de parcourir le chapitre 7 « **Système de conduits concentriques** »

2.1 Raccordement à la conduite de gaz

Suivant l'agencement, vous pouvez déterminer où se trouvera la conduite de gaz. Veillez à ce que pendant le raccordement le dispositif de réglage ne soit pas tordu et qu'il ne se présente pas de tensions exagérées. L'accès aux divers points de raccordement doit être garanti pour les éléments en question. Contrôlez l'étanchéité au gaz après le raccordement des assemblages. Utilisez un robinet à gaz 1/2" avec raccord dans les conduites d'alimentation. Veillez à ce que la conduite de gaz soit exempte de crasses ou de sable et que le gaz et les produits de combustion des divers éléments fonctionnent correctement. Le raccordement au gaz doit se faire sans tension. On évite ainsi d'endommager le dispositif de réglage du gaz.

2.2 Préparation et montage de l'appareil (Voir ANNEXE 5)

- * Enlevez l'emballage et assurez-vous que l'appareil n'est pas endommagé.
- * Attention! Placez l'appareil sur un support stable.
- * Ne posez pas l'appareil sur le dos ou sur le côté.
- * Placez l'unité au lieu de destination.
- * Le pare-brise doit être retiré afin de prendre les pièces supplémentaires hors de l'unité.
- * Retirez la bande de garniture sur le fond, de la vitre.
- * Desserrez les vis sur le support de verre supérieur et inférieur (2).
- * En plaçant les ventouses livrées avec l'appareil au milieu de la vitre, il est facile de la retirer. D'abord en bougeant doucement vers le haut et ensuite en vers vous. Placez ensuite la vitre là où elle ne peut pas briser ou être endommagée. (3)
- * Prenez les composants emballés hors de l'unité et de vérifier pour les dommages ou une rupture.
- * Placer l'appareil dans la situation souhaitée (voir annexe 2). L'appareil doit directement être placé à l'arrière contre la paroi (matériel de fixation pas livré) (4).
- * Les jambes de l'appareil peuvent être plus ou moins élevées pour le réglage grossier. (Min 280 max 460). (5)
- * Les jambes réglables permettent de régler l'unité raffinée.
- * Placer la cassette là où vous le souhaitez après avoir monté le bloc de réglage de gaz GV60, voir 2.3. La distance du boîtier de commande et de l'appareil est déterminée par la longueur du câble qui va vers le brûleur de la veilleuse et le bloc de gaz etc. (max. 1500 mm)
- * Positionnez les grilles d'air chaud à une distance minimale de 50 cm en dessous du plafond (voir annexe 2). Un faux plafond de matériel ininflammable peut fournir une solution dans une situation d'obstruction visuelle.

ATTENTION

La température des grilles d'air chaud peut atteindre jusqu'à 100°C. C'est pourquoi il faut être très pru-

2.3 Installation réglage de gaz GV60. (voir Annexe 6)

Le réglage complet de gaz est monté en dessous du foyer. Le bloc de gaz, ainsi que la commande du brûleur, doit être monté dans la cassette par l'installateur. Ci-dessous la procédure :

- * Après avoir retiré la vitre les composants peuvent être retirés du foyer ; placer le foyer entier prudemment sur son dos (1). Vous pouvez utiliser la palette en bois pour le soutenir.
- * Retirez les 2 attaches-câble qui tiennent les tuyaux et câbles ensemble (2).
- * Retirez la vis de la manette à gaz (3) et déplacez le tout vers le côté du foyer où la cassette peut être construit.
- * Placez la manette à la bonne position à l'arrière de la cassette.
- * Montez le clapet à gaz, ainsi que le support à l'intérieur de la cassette et attachez les avec 2 écrous à ailettes
- * Glissez la commande à gaz, ainsi que le support, dans la cassette et attachez le tout
- * Placer la cassette dans l'encadrement du foyer. Tenez la distance maximale entre le foyer et la cassette par la longueur limitée du thermocouple etc.
- * Faites en sorte que les buses, le câble d'allumage et le thermocouple sont installés sans contrainte de traction et virages serrés. Faites en sorte que le câble d'allumage est libre de parties en métal.

3. POSITIONNEMENT DE BOIS CÉRAMIQUE ET EN OPTION PEBBLES SET

3.1 Placement du set de bois céramique (voir ANNEXE 6)

- * Dispersez les granulés de lave régulier sur le brûleur et la plaque de brûleur pour que celle-ci soit juste recouverte. Des fibres de lumière peuvent être mit ici et là comme décoration.
Voyez que la veilleuse reste libre.
- * Placez ensuite les blocs de bois comme indiqué sur l'**ANNEXE 6**.
- * Placez soigneusement les sets de bois. Un autre endroit peut influencer la flamme ou le fonctionnement du procès de combustion (charbonner)
- * Contrôlez si la plaque de restriction doit être placée avant de remettre la vitre. Voir chapitre 7 « **Trajets concentrique** ». Retirez la plaque déviation en dévissant celle-ci par le devant et la reprendre par l'arrière (voir **ANNEXE 4** image 4).
- * Installez la plaque de restriction, si celle-ci est prescrite pour votre situation, avec les 2 vis fournies (voir **ANNEXE 5**). Remplacez la plaque déviation dans l'ordre inversé.
- * Remplacez la vitre dans l'ordre inversé, comme décrit à 2.2 et **ANNEXE 4**.

3.2 Placement du set optionnel de galets (voir ANNEXE7)

- * Dispersez le vermiculite régulier sur le brûleur. **Voyez que la veilleuse reste libre.**
- * Placez une rangée de galets de dimension moyenne et grande à l'avant sur la plaque de brûleur.
- * Remplissez de l'avant à l'arrière le brûleur de galets de dimension petit et moyen.
Mettez les galets sur le brûleur le plus près les uns des autres.
- * Remplissez l'arrière de la plaque de brûleur avec des galets de dimensions moyenne et grande.
- * Contrôlez si la plaque de restriction doit être placée avant de remettre la vitre.
Voir chapitre 7 « **Trajets concentrique** ». Retirez la plaque déviation en dévissant celle-ci par le devant et la reprendre par l'arrière.
- * Installez la plaque de restriction, si celle-ci est prescrite pour votre situation, avec les 2 vis fournies (voir **ANNEXE 5** image 7). Remplacez la plaque déviation dans l'ordre inversé.
- * Remplacez la vitre dans l'ordre inversé, comme décrit à 2.0 et **ANNEXE 4**.

NOTE: Lors du montage du set bois et des différents accessoires et matériaux incandescents, il convient de tenir compte des éléments suivants :

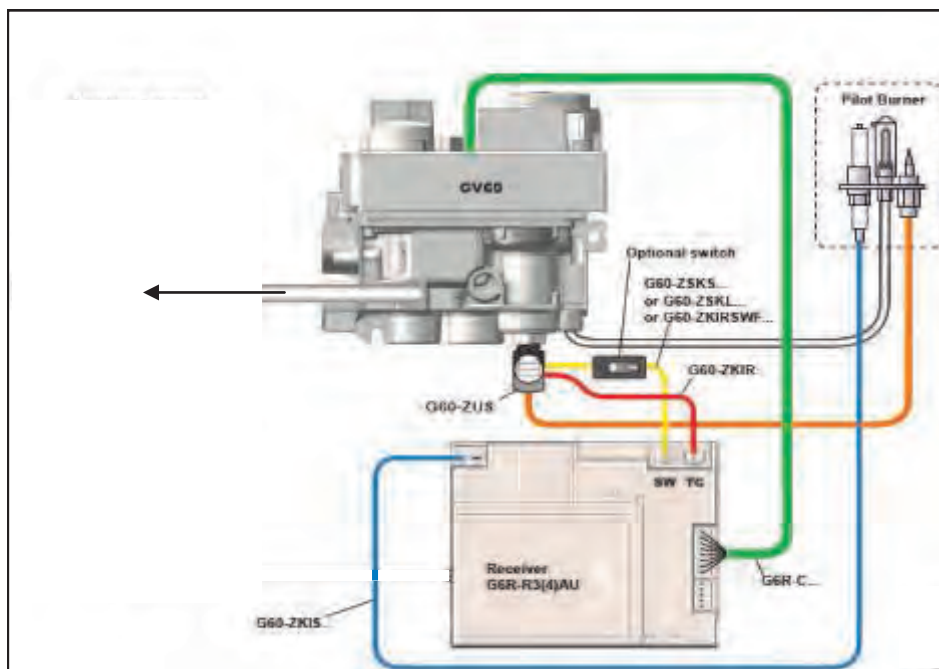
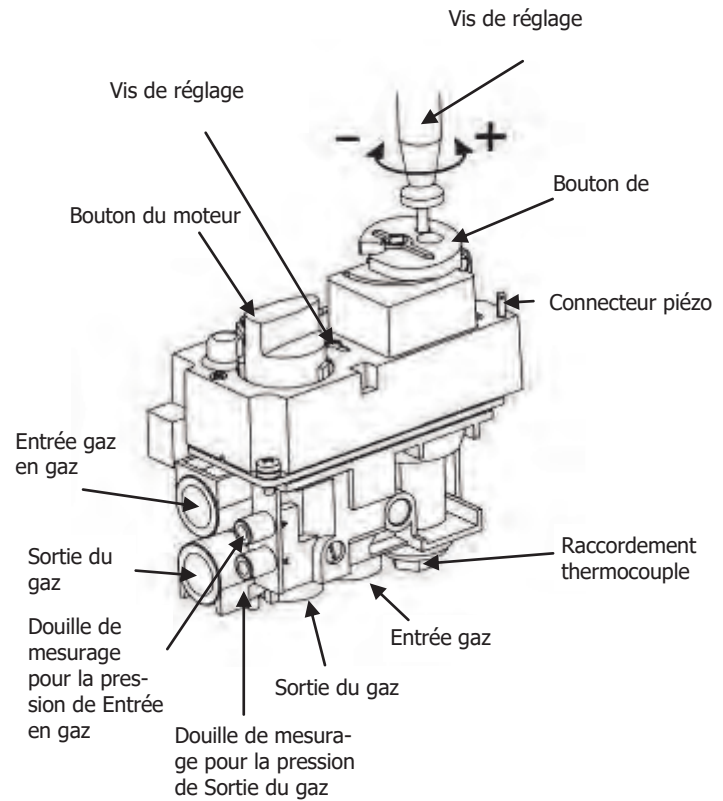
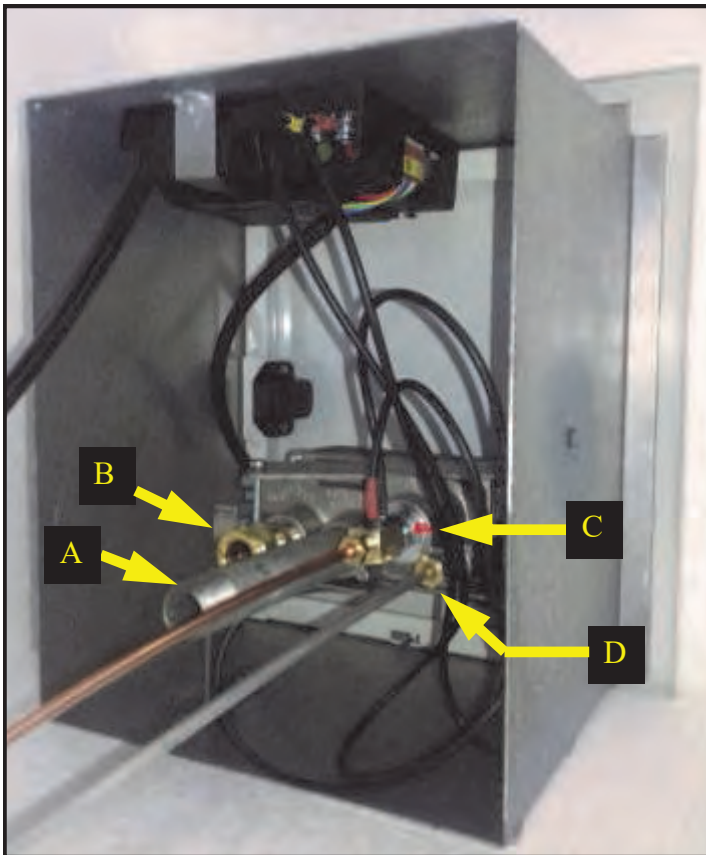
- A :** Pas de matériaux incandescents dans ou sur le brûleur de la veilleuse.
- B :** Évitez que du matériau céramique entre en contact avec la corde du fond de la vitre.
Enlevez-le éventuellement. La vitre risquerait d'être abîmée.
- C :** Fente autour du brûleur doit être libre de matériel incandescent. Placé trop de matériel incandescent peut affecter le processus de combustion. D'autres matériaux peuvent être stockés

ATTENTION

CARE TOUJOURS POUR LES RESTES PILOTE DE LUMIÈRE DE TOUT MATÉRIEL QUE CE SOIT!

4. DONNÉES TECHNIQUES GV60

Bloc de gaz type	: Mertik GV60
Récepteur type	: B6R R8U
Allumage	: Télécommande et allumage piézo
Raccordement gaz	: 3/8 " (Extérieur) A =Entrée gaz B =Sortie gaz C =Raccordement thermocouple D =Raccordement brûleur de la veilleuse
Catégorie d'appareil	: C11-C31-C91
Veilleuse	: SIT 3 flamme
combustion et alimentation en air de combustion	: Concentrisch: Ø100-150 mm



5. INSTRUCTIONS POUR MERTIK MAXITROL GV60

Veillez à ce que les combustibles dont est alimenté l'appareil soit propres et exempts de particules de poussière et d'humidité.

Avant de raccorder une conduite d'alimentation en gaz (nouvelle ou existante) à la conduite de gaz principale sur le compteur à gaz et le bloc de réglage du gaz, elle doit être purgée avec de l'air comprimé propre et sec. Les conduites en cuivre coupées et la conduite en aluminium de la veilleuse doivent être ébarbées et purgées avant de les raccorder. Le filtre à poussière près du raccordement du bloc de réglage du gaz ne retient que les plus grosses crasses. Les fines particules de poussière peuvent encore atteindre l'intérieur et endommager ou dérégler le bloc de réglage du gaz.

La chaleur, l'humidité et la poussière constituent une menace pour tout système électronique

Protégez la commande (du gaz) électronique *jusqu'à ce que* tous les travaux de construction, de plâtrage et de peinture soient achevés. Si de manière inattendue, de ces travaux doivent encore être réalisés, protégez-les contre les crasses et l'humidité avec, par exemple, une feuille de plastique.



AVERTISSEMENT

L'électronique s'endommage irréparablement lorsqu'elle est exposée à une température supérieure à 60°C. Les batteries AA ordinaires éclatent en cas de température supérieure à 54°C et leur contenu endommage alors les connexions électroniques sous-jacentes. Les batteries ont la plus longue durée de vie par une température <25°C. Par une température >50°C, cette durée de vie est d'environ 23 semaines, ceci rend l'utilisation du foyer à gaz inutilement chère.

Placez le bloc de réglage du gaz et le récepteur uniquement comme ils ont été prémontés en usine

Pensez au fait que plus tard certains éléments devront éventuellement être remplacés ou réparés. Si la commande est mise autrement en place que comme notre méthode le prescrit, ceci peut rendre plus difficiles les remplacements ou les réparations.

ATTENTION

Ne serrez pas trop l'interrupteur de contact et l'assemblage thermocouple sur le bloc de réglage du gaz ou l'un à l'autre

Il suffit de serrer à la main et d'ajouter un demi-tour avec une clé à douille. Lorsqu'on serre trop fort, on détruit le raccordement de la bobine de l'électro-aimant se trouvant en dessous ou l'isolation autour de la broche de contact dans l'interrupteur. Ceci peut faire que la bobine de l'électroaimant n'ouvre pas l'alimentation en gaz vers la veilleuse et que l'appareil ne fonctionne pas.

N'installez les batteries qu'après que tout le câblage du récepteur, du bloc de réglage du gaz et de l'ensemble veilleuse est raccordé

Un raccordement prématuré avec la source de courant peut endommager le CPU (processeur central) de la commande.

Évitez que le câble d'allumage se trouve à proximité du fil de l'antenne ou que les deux se croisent.

La tension élevée qui se libère lors de l'allumage peut endommager le sensible circuit récepteur de l'antenne. Il se peut qu'ensuite l'appareil réagisse moins ou ne réagisse plus à la télécommande.

Étendre le thermocouple fourni uniquement avec le kit d'extension originale.

(Disponible auprès de votre fournisseur)

L'extension non autorisée du thermocouple a pour effet de la réduction du stress, ainsi la bobine magnétique ne peut être activé.

Pour éviter les fuites de l'étincelle d'allumage à d'autres parties de la plante de la broche d'allumage dans le pilote.

Gardez le câble d'allumage libre de fuselage ou d'autres pièces métalliques. Si l'extension du câble est utilisé, veiller à ce que les connexions sont en outre isolés avec de la silicone œillet.

Pour le démarrage automatique via l'émetteur desservant le récepteur et le contrôle être tourné sur la soupape de gaz.

Le disque ovale sur le bloc de contrôle de gaz doit être mis sur la position ON. Le I / 0 commutateur doit être réglé sur "I". Le câble d'allumage doit être connecté à la boîte de réception au point de connexion "SPARK".

L'émetteur contient le capteur de thermostat du système.

Le transmetteur fonctionne au mieux 2 à 3 m de l'unité. Bien que la communication par des signaux radio à ondes courtes a lieu, il est recommandé que l'émetteur dans la «visibilité» des de jeter les appareils à gaz dans un endroit où l'utilisateur veut faire l'expérience d'une température agréable. Remettez l'émetteur de main dans la lumière directe du soleil ou d'autres endroits chauds. Les mesures du thermostat les température et régule la taille de la flamme de l'unité de gaz en conséquence.

Retirez les piles uniquement avec le ruban rouge qui se trouve sous la batterie, et non pas avec des outils métalliques. Retrait des piles avec un objet métallique peut endommager de façon permanente le matériel.

6. DONNÉES TECHNIQUES POUR LE GAZ

TYPE DE GAZ		G20	G25	G30/31
PAYS		NO/DK/ES/PT/ DE/IE/GB/BE/FR/ IT/LV/SI/SK/EE/ HU/LT	NL/DE	NL/NO/DK/DE/ ES/PT/IE/GB/ BE/FR/LV/SI/EE/ HU/LT/PL/CY/ MT/IT
CATÉGORIE		I2H/I2E/I2E+	I2I/I2ELL	I3B/P/I3+
D'AIR PRIMAIRE		1x Ø8	1x Ø5	3x Ø16
PRÉPRESSION	mBar	20	20/25	30/37
PRESSION DU BRÛLEUR HAUTE	mBar	11.1	11.6/13.6	28.7/36.6
PRESSION DU BRÛLEUR BASSE	mBar	3.5	5.2/5.9	14.4/23.4
ALÉSAGE INJECTEUR	Ø MM	2.6	2.6	1.3
INJECTEUR DE LA VEILLEUSE	CODE	51	51	30
PLUS PETIT ALÉSAGE	MM	1.7	1.7	1.3
PRESSION Hi	kW	8.8	8.6	8.5/7.4
PRESSION Hs	kW	9.8	9.5	9.1/7.7
RENDEMENT	m3/h	1.05	1.08	0.26/0.48
PUISSANCE NOM.	kW	7.3	7.1	6.85/5.78

Tous les appareils de la classe 5 NoX

AT	I2H, I3B/P	BE	I2E+, I3+	DK	I2H, I3B/P	DE	I2ELL, I3B/P
FI	I2H, I3B/P	FR	I2E+, I3+	GR	I2H, I3B/P	GB	I2H, I3+
IS	I3B/P	IE	I2H, I3+	IT	I2H, I3+	LU	I2E, I3B/P
NL	I2L, I3B/P	NO	I3B/P	PT	I2H, I3+	ES	I2H, I3+
SE	I2H, I3B/P	CY	I3B/P, I3+	EE	I2H, I3B/P	LT	I2H, I3B/P
LV	I2H, I3B/P	MT	I3B/P	HU	I2H, I3B/P	PL	I3B/P
SI	I2H, I3B/P	SK	I2H	TR	I2H, I3B/P		

7. TRAJETS CONCENTRIQUES

Tableau des trajets concentriques						
Trajet	Image	X en mètres		Y en mètres		Plaque de restriction 1080
		min*	max*	min*	max*	
Terminal mural indirect	A-B	1	3	0	3	
Percée de la toiture sans déplacement	C	2	12			à partir de 3 mètres
Percée de la toiture avec déplacement de 45° **	D	3	12	0	4	à partir de 3 mètres
Percée de la toiture avec déplacement de 90° ***	E	1	12	0	2	à partir de 3 mètres

Coude 45 degrés : valeur de calcul 1 m.

Coude 90 degrés : valeur de calcul 2 m.

* longueur hors orifices toit ou façade. Toujours retenir une longueur de départ 1 m. !

** Rapport vertical : horizontal $X + X1 + X2 : Y = 2 : 1$

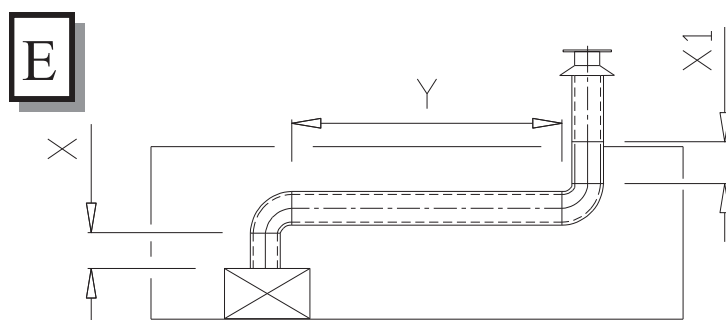
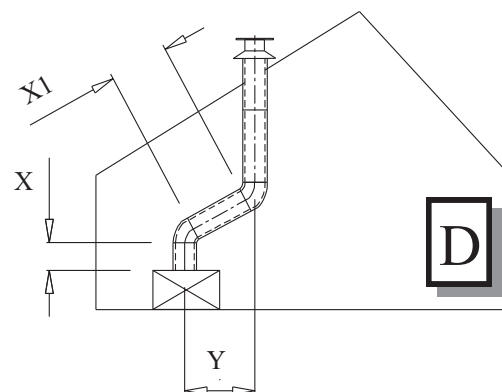
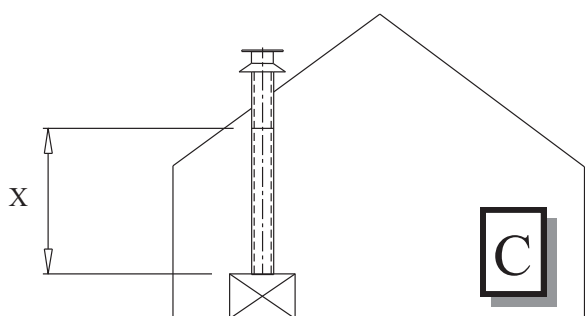
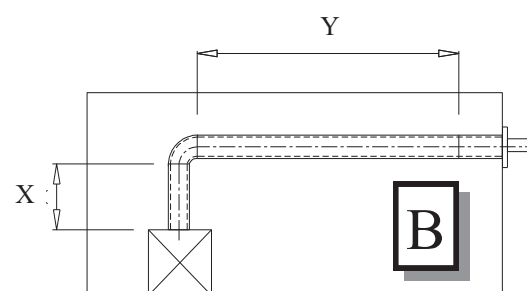
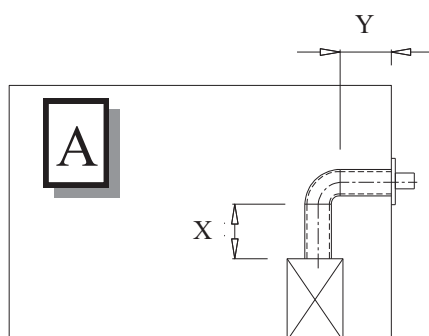
*** Rapport vertical : horizontal $X + X1 : Y = 2 : 1$

Restriction règles 1053-1054-1055:

Terminal murale - 1 mètres vertical, 90 ° Coude, max.3 mètres horizontal, Retirez Plaque place déflecteur pa restriction.

Percée de la toiture - 2 jusqu'à et incluant 5 mètres vertical + Percée de la toiture place restriction 35mm.

Percée de la toiture - 5 jusqu'à et incluant 12 mètres vertical + Percée de la toiture place restriction 52mm.



8. SYSTÈME DE CONDUITS CONCENTRIQUES CC

Le système de canal concentrique est composé d'un canal intérieur et un canal extérieur. Ces canaux sont disposés de façon concentrique; par la voie interne peuvent être des gaz de combustion mis au rebut, l'air de combustion frais est amené entre l'intérieur et l'extérieur de canal.

8.1 Eléments du système de conduits concentriques

Le système de conduits concentriques rend possible plusieurs raccords :

Par le toit et par la façade.

Le trajet de ce système peut se faire de plusieurs manières,

mais il existe plusieurs conditions importantes :

- * La longueur verticale totale autorisée du conduit ne peut excéder 12 mètres (la somme de la longueur du conduit et les longueurs de calcul des coudes).
- * Les coudes 90° ont une valeur de calcul de 2 mètres horizontalement.
- * Les coudes 45° ont une valeur de calcul de 1 mètre horizontalement.
- * L'orifice peut se pratiquer à n'importe quel endroit dans la toiture (alimentation et évacuation dans domaine de pression identique) mais doit répondre aux prescriptions en vigueur.
- * Les trajets du conduit ne peuvent pas être isolés.

ATTENTION

- * Veillez à ce que la plaque de restriction soit installée de façon correcte, comme indiqué dans les présentes instructions.
- * La plaque de restriction correcte donnera à l'appareil le rendement le plus optimal, les meilleures flammes et la meilleure combustion.
- * Le montage d'une plaque de restriction mal installée peut provoquer des pannes de l'appareil.

8.2 Agencement du système de conduits concentriques CC

Percée indirecte de la façade

- * La percée de la façade peut aussi se faire plus haut que l'évacuation, mais dans ce cas, tenez compte des nuisances envers l'environnement, en fonction des normes et prescriptions nationales, régionales et locales. Veillez aussi à ce que la pression du vent sur l'orifice ne soit pas trop extrême, comme cela peut être le cas sur un balcon, un toit plat, des recoins et dans les ruelles très étroites, car ceci peut influencer négativement les performances de l'appareil.
- * Prévoyez un évidement d'environ 155 mm (100-150) et 205 mm pour (130-200) dans la façade. (dans une façade inflammable, prévoir un espace supplémentaire de 50 mm autour du tube extérieur) et installez la percée avec la plaque murale à la face intérieure du mur. A l'extérieur, la plaque murale de la percée de façade doit être suffisamment colmatée contre le mur pour éviter les fuites d'humidité ou de gaz de combustion dans le séjour.
- * Si nécessaire, le conduit doit être enveloppé. Lorsque le conduit va longer des matériaux inflammables, il faut aussi prendre suffisamment de mesures ignifuges.
- * Déterminez la position de l'appareil et de l'orifice et commencez à construire le conduit avec le raccord sur l'appareil. Faites attention à la direction de montage et assemblez les éléments entre eux au moyen des bandes serrantes.
- * Entre les coudes, ou à l'endroit du raccord sur l'appareil, on peut utiliser le tube intermédiaire L= 50 - 250 mm. Utilisez si nécessaire des étriers muraux pour soutenir le conduit.

Montage de la percée de toiture

- * L'orifice peut se pratiquer à n'importe quel endroit dans la toiture (alimentation et évacuation dans domaine de pression identique) et doit répondre aux prescriptions en vigueur.
- * Pour une percée étanche, on peut utiliser une dalle de toiture pour toit plat ou une dalle de toiture pour toits à tuiles inclinés. Si nécessaire, on peut utiliser des coudes différents. L'évidement dans le voligeage doit être plus grand que 5 cm sur tout le pourtour, ceci pour assurer une propriété ignifuge suffisante.
- * Il faut tenir compte de la détermination de la résistance (voir les prescriptions et normes nationales, régionales et locales) contre la percée du feu entre les pièces. Il faut appliquer une gaine en matériau ininflammable (par exemple plaque ignifuge Promatect 12 mm) à 25 mm du conduit extérieur.
- * Déterminez la position de l'appareil et l'orifice et commencez la construction du conduit avec le raccord sur l'appareil (toujours d'abord 1 mètre verticalement), attention à la direction de montage ! Le conduit intérieur doit être monté de façon à permettre l'écoulement des eaux. Assemblez les éléments entre eux au moyen des bandes de serrage. Veillez à ce que tous les assemblages soient bien étanches au gaz.
- * Entre les coudes ou au raccord à l'appareil ou la percée de toiture, on peut utiliser un tube intermédiaire. Utilisez à chaque étage 2 étriers muraux pour soutenir le conduit.

8.3 Instructions de montage pour les conduits de fumée existants

Instructions

Ce système d'évacuation du gaz de fumée entre dans la catégorie C91 et doit être construit suivant la réglementation nationale et les prescriptions du fabricant, comme indiqué dans la documentation et les instructions de montage.

Cela signifie notamment que le conduit de cheminée ne peut être inférieur à 150 mm de diamètre / carré ni supérieur à 200 mm et être ventilé par des grilles, etc. Dans le cas des conduits de cheminée plus grands, un tuyau flexible de 150 mm de diamètre peut éventuellement être appliqué en combinaison avec un tuyau flexible de 100 mm comme décrit ci-dessous. Pour d'autres situations, veuillez consulter votre fournisseur / fabricant.

8.4 Eléments

Contrôlez tous les éléments quant aux dommages éventuels avant de commencer le montage. Pour transformer un conduit maçonné en conduit concentrique, raccordé au système de conduit CC, vous avez besoin des éléments suivants :

NOTE: L'ensemble de rénovation/réhabilitation se compose des éléments 3,4,5, et 7.

8.5 Montage

- * Entrez le tuyau flexible (6) par l'intermédiaire du canal existant.
- * Joindre le curseur (5) sur la face inférieure du tuyau flexible et fixez-le avec deux vis.
- * Maintenir la face inférieure de la pièce coulissante à fleur avec le fond du canal ou du plafond. Raccourcir le tuyau flexible d'environ 100 mm au-dessus du sommet de la cheminée.
- * Fixer la plaque de montage (7) pour le tuyau flexible en le fixant avec un acier inoxydable collier de serrage autour de 90-165, en le bloquant avec un parker.
- * Fixez la plaque de montage (7) imperméable à l'eau sur le dessus de la cheminée à l'aide silicone et vis en acier inoxydable.
- * Monter la traversée de toit (9) et le fixer avec la pince fournie (10)
- * Après le montage, le coulisseau (5) à environ 100 mm au-dessous du canal ou du plafond saillie.
- * Fixer la plaque de montage (4) de manière étanche aux gaz contre la face inférieure de la chaîne structurelle ou contre la face inférieure de la dalle en béton au moyen d'silicone et vis.
- * Placez l'appareil selon les instructions du fabricant de l'appareil
- * Installez au moins 1 mètre concentrique canal de type américain (2).
- * Etendre les conduits concentriques sections en utilisant (2) à un minimum de 100 mm dans le canal structurel. Serrer le collier de serrage dans la plaque de montage (3) à la main.

8.6 Nettoyage et entretien

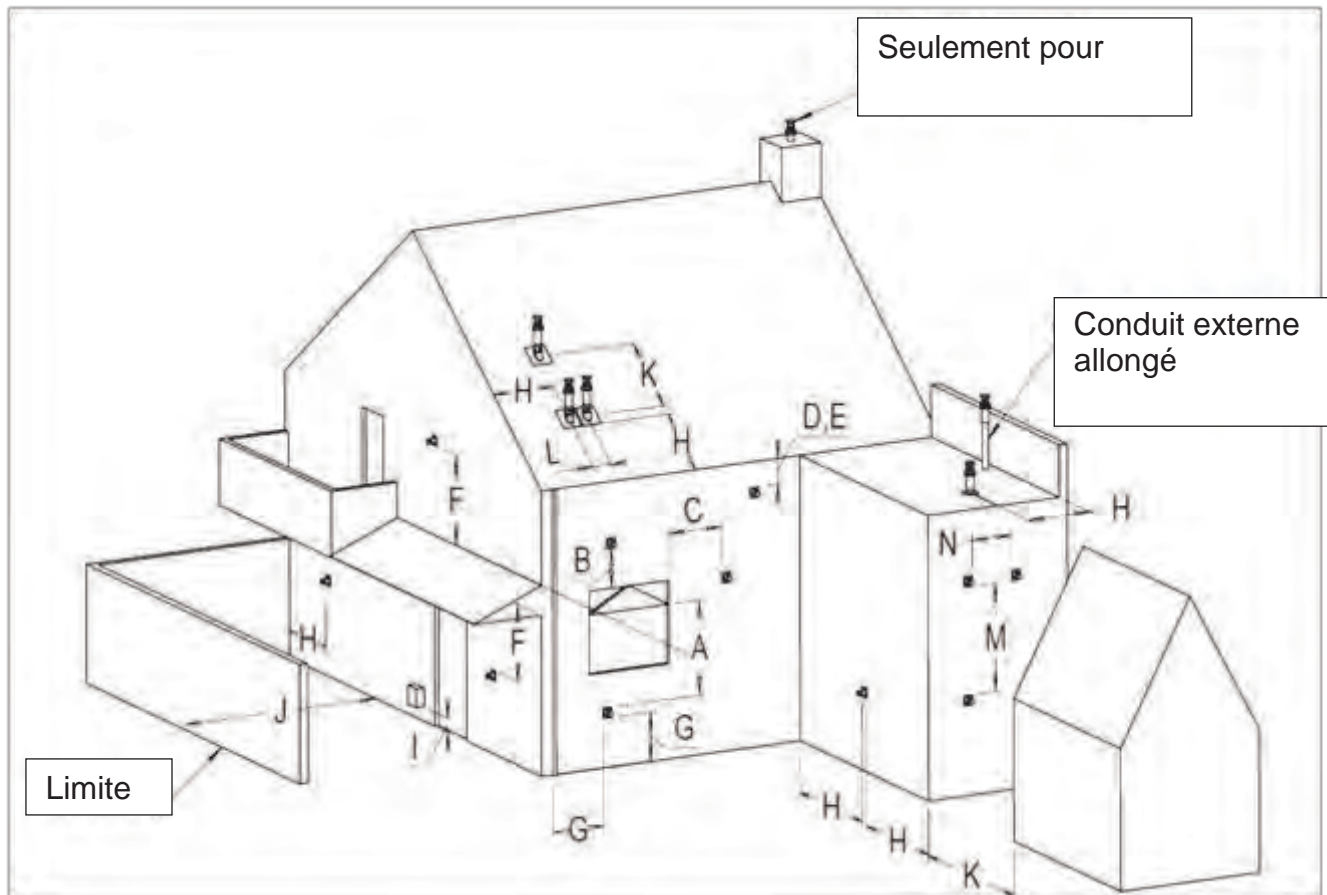
Cette appareil doit être inspecté et entretenu par un professionnel qualifié et agréé, au moins une fois par an. Le contrôle et entretien doit au moins garantir le fonctionnement correct et sûr de l'appareil. Il est conseillé de nettoyer régulièrement l'appareil de poussière et saleté pendant les saisons de chauffe et surtout lorsque l'appareil n'a pas été utilisé pendant une longue période. Cela peut être fait avec une brosse souple, aspirateur ou chiffon humide et si nécessaire avec un détergent non abrasif. N'utilisez pas de produit agressif ou corrosif pour nettoyer l'appareil.

Le système du conduit concentrique doit être nettoyé tous les 2 ans.

Egalement à contrôler:

- 1 La densité des gaz de combustion et l'air de combustion du circuit d'alimentation.
- 2 Le bon fonctionnement du bloc de réglage de gaz et l'allumage du brûleur.

9. POSITION FINALE ET FONCTIONNEMENT CORRECT



Dimensions	Position d'extrémité	Distance mm
A	Distance jusque l'ouverture ventilation	Local*
B	Distance jusque l'ouverture ventilation	Local*
C	Distance jusque l'ouverture ventilation	Local*
D	Sous une gouttière ou conduit d'évacuation	500
E	Sous le bord du toit	500
F	Sous un abri de voiture, toit ou balcon, coins intérieur ou extérieur	500
G	De gouttière ou conduit vertical	300
H	Intérieur ou extérieur d'un coin	500
I	Au-dessus d'un régulateur de pression de gaz externe	1000
	Côté d'un régulateur de pression de gaz externe	500
J	D'une surface / limite avec un mur	Local*
K	En face d'une extrémité	1000
L	Depuis le centre des extrémités du toit	450
M	Deux extrémités de mur l'un dessus l'autre	1000
N	Deux extrémités de mur l'un à côté de l'autre	1000

*Selon les codes de construction locaux

10. LISTE DE RECHERGE DES PANNES DU MERTIK GV60

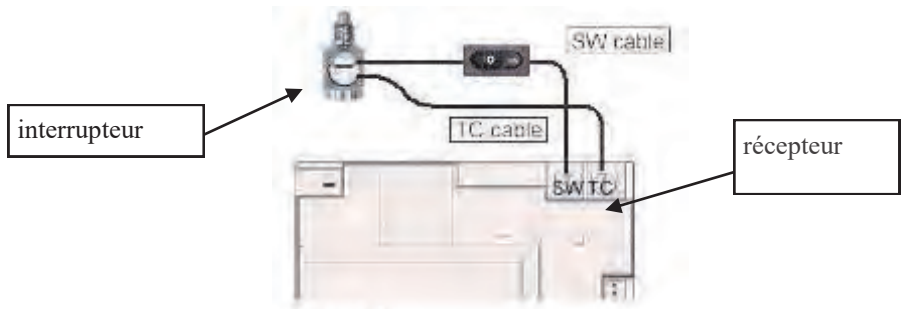
No	ACTION		Problème possible/de la cause	Solution	
1.	Option: inter. murale: START: appuyer sur bouton ON> inter. murale marche.	NON →	Broches tordues commutateur ou rupture de câble / échec.	Pin fixé, interrupteur mural ou au remplacement du câble	
1.1	Emetteur START: appuyer sur les deux boutons avant la procédure de démarrage. Bip chaque seconde.	NON →	Pile émetteur mauvaise.	Remplacer pile, 9V Qualité Alcaline	
			Récepteur piles mauvais.	Remplacer piles, 1,5V AA Qualité Alcaline!	
			Adapter secteur optionnel ne marche pas.	Contrôler adapter secteur.	
			Emetteur / récepteur contrôler code	Ré-lecture des codes, voir instructions et étiquette sur récepteur.	
			Emetteur / récepteur portée de transmission limitée	Déplacer câble antenne. Remplacer récepteur	
			Inter. murale optionnel/ Câblage ne marche pas bien. .	Remplacer inter. murale / câblage	
			Fusible récepteur en panne (seulement ancienne versions)	Remplacer récepteur	
	OK ↓				
2.	magnétique est l'unité sous tension (clic audible)	NON →	Non bip.	bobine magnétique ne fonctionne pas	Remplacer clapet réglage gaz
		NON →	3 long bip.	Récepteur piles mauvais.	Remplacer piles, 1,5V AA Qualité Alcaline!
		NON →	1 long bip. .	Interrupteur ON/OFF sur clapet réglage gaz sur position OFF	Mettre interrupteur sur ON.
			Câble à 8 fils entre récepteur et clapet réglage gaz en panne / mauvais contact.	Contrôler le câble près du connecteur.	
			Câble interrupteur interrompu	Contrôler câble interrupteur	
			Moteur ne marche pas bien.	Remplacer clapet réglage gaz	
			Micro rupteur sur clapet réglage gaz ne marche pas bien.	Remplacer clapet réglage gaz	
	OK ↓				

3.	Chaque seconde une étincelle.	NON →	Composants d'allumage ne marchent pas.	<p>Contrôler le câble d'allumage entre le récepteur et axe d'allumage sur la bonne connexion.</p> <p>Contrôler la distance entre l'axe d'allumage et veilleuse.</p> <p>Contrôler axe d'allumage sur claquage à la masse (cassure dans la céramique)</p> <p>Contrôler que le câble d'allumage n'a pas de cassures</p> <p>Faire câble d'allumage sûr est exempt de pièces métalliques. Assurez-vous que la bougie d'allumage à l'emplacement de connexion ne dispose pas des sauts sur la masse. Peu de temps si le câble possible. Tout tuyau isolant silicone supplémentaire ou similaire</p>
		NON →	Procédure d'allumage s'arrête, pas de veilleuse. Plus de réaction avec emploi télécommande (récepteur ne réagit plus)	<p>Appuyer sur RESET, voir instructions.</p> <p>Faite une mise à terre entre la veilleuse et le clapet de réglage de gaz</p> <p>Ne pas enrouler le câble d'allumage</p> <p>Raccourcir, si possible, le câble d'allumage</p>
		NON →	Procédure d'allumage s'arrête, pas de veilleuse.. Réaction récepteur chez télécommande	Remplacer la pile du récepteur, 1,5V AA Qualité Alkaline!

OK
↓

4.	Veilleuse brûle	NON →	TC-SO câble inversé	Contrôler connexion chez l'interrupteur
			bobine magnétique ne fonctionne pas	Remplacer récepteur
			Court-circuit entre l'interrupteur et câble TC	Contrôler connexion chez l'interrupteur
			Pas de gaz (bobine tombe après 30 secondes. (Bips sonores)	Vérifier l'alimentation de gaz à clapet régulation des gaz.

OK
↓



5.	Étincelles s'arrêtent une fois que la veilleuse brûle	NON →	Court-circuit entre l'interrupteur et câble TC	Contrôler connexion chez l'interrupteur
			Amplificateur de mesure cassé	Remplacer récepteur

OK
↓

6. Moteur se tourne vers la position du brûleur principale et veilleuse continue à brûler.

NON
 →
 NON Bobine de magnétisation est tombé en panne (on entend un clic)

Résistance dans le thermocouple trop haute.	Contrôler les câbles et connexions dans le circuit du thermocouple.
Thermocouple n'est pas assez chaud.	Contrôler si la veilleuse est bien sur le thermocouple, et régler si nécessaire la veilleuse.
Tension basse du thermocouple	Contrôler les connexions et remplacer si nécessaire le thermocouple. Ne serrer pas de trop les connexions!
Court-circuit à cause de thermocouple cassé.	Remplacer le thermocouple, ne serrer pas de trop les connexions!

NON
 →

Procédure d'allumage s'arrête. Plus de réaction avec emploi télécommande (récepteur ne réagit plus).	Appuyer sur RESET, voir instructions
	Faite une mise à terre entre la veilleuse et le clapet de réglage de gaz
	Ne pas enrouler le câble d'allumage
	Raccourcir, si possible, le câble d'allumage

OK
 ↓

7. Brûleur principale s'allume

NON
 →

Bouton fonctionnement manuel clapet réglage de gaz sur position MAN.	Tourner le bouton vers position ON
--	------------------------------------

OK
 ↓

8. Brûleur principale reste allume

NON
 →

Trop/trop peu courant d'air / tirage via veilleuse.	Contrôler si la plaque de restriction est bien appliquée dans l'appareil, voir instruction. Mauvaise situation d'évacuation, contrôler exactitude du trajet et des connexions.
---	--

OK
 ↓

9. Bobine de magnétisation tombe en panne, pendant que le moteur tourne. 3x signal bip

NON
 →

Mauvaise réception des piles.	Remplacer piles, 1,5V AA Qualité Alkaline!
-------------------------------	--

Système peut être interrompu avec la télécommande

NON →

Système peut être interrompu avec interrupteur ON/OFF

NON →

Court-circuit entre câble TC et SW.

Contrôler les connexions chez l'interrupteur

Oui
 ↓
 OK

Oui
 ↓
 OK

→

Remplacer clapet réglage de gaz

INSTALLATIONSVEJLEDNING

Trimline sortiment

1080

Trimline 2050 OH

Indholdsoversigt

1. INSTALLATIONSVEJLEDNING	Page 3
1.1 Generel vejledning	
2. INSTALLING AF PEJSEN	Page 4
2.1 Montering af gasrør	
2.2 Forberedelse og installation af gaspejsen	
2.3 Installation af gasregulatoren GV60	
3. PLACERING AF KERAMISK BRÆNDESÆTTET OG OPTINAL SMÅSTEN	Page 5
3.1 Placering af keramisk brændesæt	
3.2 Placering af småsten	
4. TEKNISKE DETALJER GV60	Page 6
5. TILLÆGSOPLYSNINGER TIL MERTIK MAXITROL GV60 OG FJERNKONTROLLEN	Page 7
6. GASSPECIFIKATIONER	Page 8
7. KONCENTRISKE AFTRÆKSSYSTEMER	Page 9
8. KONCENTRISK AFGASSYSTEM	Page 10
8.1 Komponenter for det koncentriske afgassystem	
8.2 Udformning af det koncentriske afgassystem CC	
8.3 Installation gennem eksisterende skorsten	
8.4 Dele	
8.5 Installation	
8.6 Rengøring og vedligeholdelse	
9. KORREKT PLACERING AF TERMINALER OG FUNKTION	Page 12
10. MERTIK GV60 PROBLEMLØSNING	Page 13
TILLÆG 1	TEGNINGER MED MÅL
TILLÆG 2	INSTALLATIONSEKSEMPLER
TILLÆG 3	ANVENDELSESEKSEMPLER VEDRØRENDE RØGKANALER
TILLÆG 4	PRÆPARATET OG INSTALLATION
TILLÆG 5	INSTALLERER GASCONTROL GV60
TILLÆG 6	PLACERING AF KERAMISK BRÆNDESÆTTET
TILLÆG 7	PLACERING AF KERAMISK BRÆNDESÆTTET

1. INSTALLATIONSVEJLEDNING

VIGTIGT

Installation må kun udføres af en godkendt tekniker!

1.1 Generel vejledning

- * Pejsen skal installeres, tilkobles og kontrolleres som en lukket enhed af en kvalificeret tekniker i henhold til nationale, regionale og lokale love og regler.
- * Aftrækskanalen og gennemføringer gennem væg eller tag skal også udføres i henhold til gældende love og regler.
- * Temperaturen på enhedens sider og bagside, må ikke være mere end 80°C højere end temperaturen i omgivelserne.
- * Enheden er godkendt til anvendelse med et koncentrisk kanalsystem THC CC Ø100 mm - Ø150 mm og Ø130 mm - Ø200 mm, i overensstemmelse med europæiske CE standarder for gasenheder. Pejsen skal derfor installeres med dette system.
- * Enheden skal kontrolleres af en gasinstallatør, som skal tjekke, at gastype og gastryk er som vist på apparatets ID skilt.
- * Denne vejledning gælder kun, når korrekt land er angivet på enheden. Hvis dette ikke er tilfældet, skal producenten kontaktes, således at eventuelle modifikationer kan drøftes og fastlægges.
- * Ved første gangs anvendelse vil der være luft i gasrørene. Gasrørene skal derfor luftes ud.
- * Tænd pejsen som angivet i vejledningen og kontroller, at flammen brænder jævnt. Efter første gangs anvendelse, bør man fjerne mærker efter hærdning af lakken med et egnet middel som f.eks. glasrens.



ADVERSEL

Monter aldrig enheden i eller mod en brændbar væg!

VIGTIGT

Materialer til indbygning, omramning etc. og til montering af kaminen skal være lavet af ikke brændbare materialer. Det gælder også gulv og loft. Anvend aldrig brændbare materialer nær enheden i overensstemmelse med ovennævnte vejledning.

Bemærk: Kontakt din leverandør, hvis du er usikker!

2. INSTALLING AF PEJSEN

VIGTIGT

Inden du sætter apparatet anbefales det at først læse Kapitel 7 "koncentriske kanalsystem"

2.1 Montering af gasrør

Afhængig af layoutet besluttes det, hvor rørene skal placeres. Man bør sikre sig, at ledninger til kontrolenheden ikke bliver snoet ved installation, og at der ikke er stor spænding. De forskellige komponenters forbin delsepunkter skal være tilgængelige. Efter installationen, kontrolleres det, at alle samlinger er tætte. Der anvendes en 1/2" nøgle med tilkobling. **Man bør kontrollere, at gasrørene er rene for snavs og sand.** Gas- og forbrændingsprodukter skal ligeledes fungere korrekt. Når gastilslutningen udføres, skal elektriciteten være slukket, således at der ikke forårsages skade på gaskontrolenheden.

2.2 Forberedelse og installation af gaspejsen (TILLÆG 5)

- * Emballagen fjernes og gaspejsen kontrolleres for eventuelle skader.
- * Vigtigt: gaspejsen placeres på en stabil overflade.
- * Gaspejsen må ikke placeres på bagsiden eller siden!
- * Gaspejsen placeres på det ønskede sted.
- * Den ene siderude fjernes således, at dele kan tages ud af gaspejsen
- * De dekorative rammer fjernes ved at løsne justeringsskruen foran og på siden af den relevante rude.
- * Glasriben fjernes forsigtigt, eventuelt med en skruetrækker (2).
- * Ruden fjernes nemt med sugekoppen. Tag fat i rudens sider og skub den FORSIGTIGT opad, og langsomt trækkes rudens bund ind imod dig selv. Dernæst, sænkes ruden og placeres på et sikkert sted, hvor det ikke kan knuses eller beskadiges. Vigtigt: ruden er meget skrøbelig. Man bør derfor være meget forsigtig, når den atter skal installeres (3).
- * Dernæst tages de emballerede komponenter ud af gaspejsen. Det kontrolleres, at de ikke er eskadigede eller knuste.
- * Gaspejsen placeres på det valgte sted (se TILLÆG 2 for eksempel på placering). Gaspejsen skal monteres direkte på væggen (materiale til montering af gaspejsen er ikke inkluderet) (4).
- * Benene på gaspejsen kan indstilles. (Min. 280, Max. 460) (5)
- * De justerbare fødder gør det muligt at finjustere gaspejsen.
- * Gaskontrolboksen monteres i nærheden af gaspejsen. Afstanden mellem gaskontrolboksen og gaspejsen bestemmes af længden på kablerne fra kontrolenheden til pilotbrænderen og gasregulatoren etc. Kablerne må have en maksimal længde på 1500 mm. Inden gaskontrolboksen bygges, skal gasregulatoren installeres. Se 2.3.
- * Konvektionsristene installeres på væggen mindst 50 cm under loftet (se TILLÆG 2). Et nedsænket loft i strukturen omkring gaspejsen kan være en god løsning, hvis der er højt til loftet omkring gaspejsens struktur.

VIGTIGT

Temperaturen på udstødningsristene kan nå op på temperaturer over 100 ° C. Man bør derfor være meget forsigtig ved berøring af disse.

2.3 Installation af gasregulatoren GV60 ((TILLÆG 6)

Gasrør, termoelement og antændelseskabel er placeret i ruller under gaspejsen.

Gasventil og styreenheden til brænder skal monteres i gaskassetten af montøren.

Trin for trin procedure:

- * Når ruderne er taget ud og delene er fjernet fra gaspejsens kammer, stilles den komplette gaspejs forsigtigt på bagsiden. Brug træpallen til at støtte gaspejsen.
- * Strips klippes over, ledninger og kabler (2) løsnes og rulles ud.
- * Skruen, som holder gasventilenheden (3), løsnes. Gasventilen fjernes forsigtigt og placeres i samme side, som gaskontrolboksen installeres.
- * Gasventilen og enheden installeres inde i gaskontrolboksen. Enhederne fastgøres med to vingebøsninger på anviste placering.
- * Gaskontrolenheden sættes ind i gaspejsens struktur. Man bør være opmærksom på den maksimale afstande mellem gaspejsen og gasregulatorenheden, begrænset af termoelementets længde etc.
- * Man bør ved montering af rør, tændingskabel og termoelement ikke trække i kablerne. Man bør ligeledes sikre sig, at kablerne ikke har skarpe bøjninger. Sørg for tænderørskablet ikke er i kontakt med metaldele.

3. PLACERING AF KERAMISK BRÆNDESÆTTET OG OPTINAL SMÅSTEN

3.1 Placering af det keramiske brændebrændesæt (se TILLÆG 7)

- * Glødemateriale fordeles i et jævnt lag over brænderen og brænderpladen, så disse lige nøjagtigt er dækket. Gløder kan placeres tilfældigt som dekoration.
Man bør sikre sig, at pilotlyset kan brænde uhindret.
- * Det keramiske brændemateriale placeres som vist i Se Tillæg 7.
- * Brændestykkerne placeres forsigtigt. En forkert placering kan have effekt på flammerne eller forbrændings processen (sodning).
- * Inden ruden monteres, skal man kontrollere, om der skal monteres en trækreguleringsplade. Se kapitel 7 **"KONCENTRISK SKORSTEN LAY OUT"**
- * Hvis der skal monteres en trækreguleringsplade, fjernes skærmladen ved at skrue denne af fronten. Pladen skubbes bagud og tages ud. Trækreguleringspladen monteres med to skruer og skærmladen monteres. (Se tillæg 5)
- * Ruden monteres igen i modsat rækkefølge som beskrevet i kapitel **"PLACERING AF GASPEJSEN"** 2.2 og i Se Tillæg 5.

3.2 Placering af småsten. (se TILLÆG 7)

- * Vermikulit fordeles i et jævnt lag over brænderpladen.
Man bør sikre sig, at pilotlyset kan brænde uhindret.
- * Der placeres en række mellemstore og store sten foran brænderpladen.
- * Brænderpladen dækkes med små og mellemstore småsten fra fronten til bagerst i ovnen. Småstenene placeres så tæt som muligt op ad hinanden på brænderpladen.
- * Den bagerste del af brænderpladen dækkes med mellemstore og store sten.
- * Inden ruden monteres, bør man kontrollere, om der skal monteres en trækreguleringsplade. Se kapitel 8 **"KONCENTRISK SKORSTEN LAY OUT"**
- * Hvis der skal monteres en trækreguleringsplade, fjernes skærmladen ved at skrue denne af fronten. Pladen skubbes bagud og tages ud. Trækreguleringspladen monteres med to skruer og skærmladen monteres. (Se Tillæg 5)
- * Ruden monteres igen i modsat rækkefølge som beskrevet i kapitel **"PLACERING AF GASPEJSEN"** 2.2 og i Se Tillæg 4.

VIGTIGT: Når man placerer brændesættet, småsten, andet glødemateriale og tilbehør, skal man være opmærksom på følgende:

A: Der må ikke være glødemateriale i eller på pilotbrænderen.

B: Man bør sikre sig, at der ikke kan falde keramisk materiale på glaspakningerne, da ruden kan blive beskadiget.

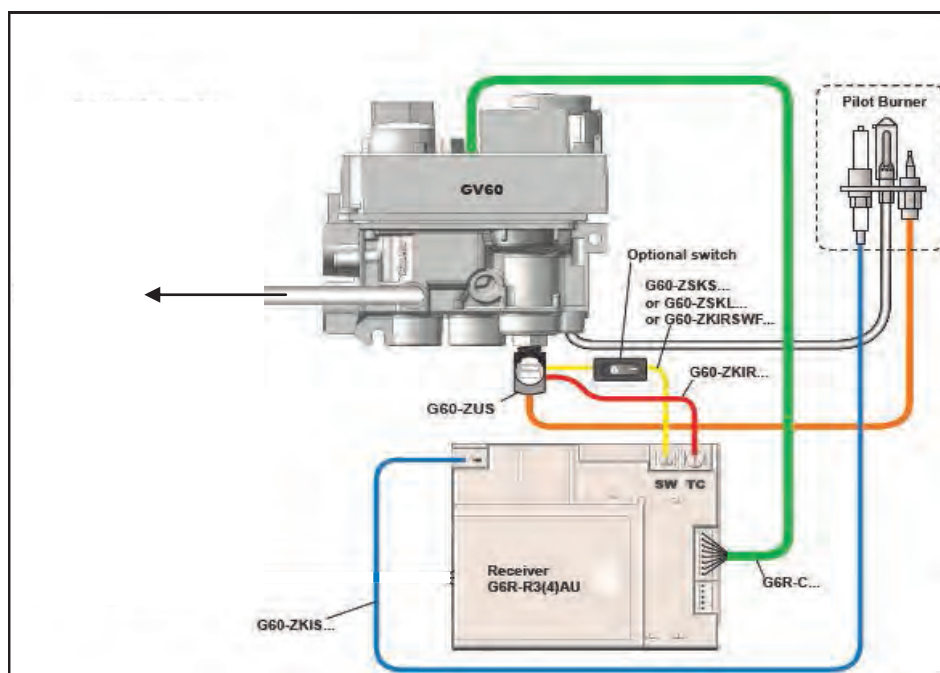
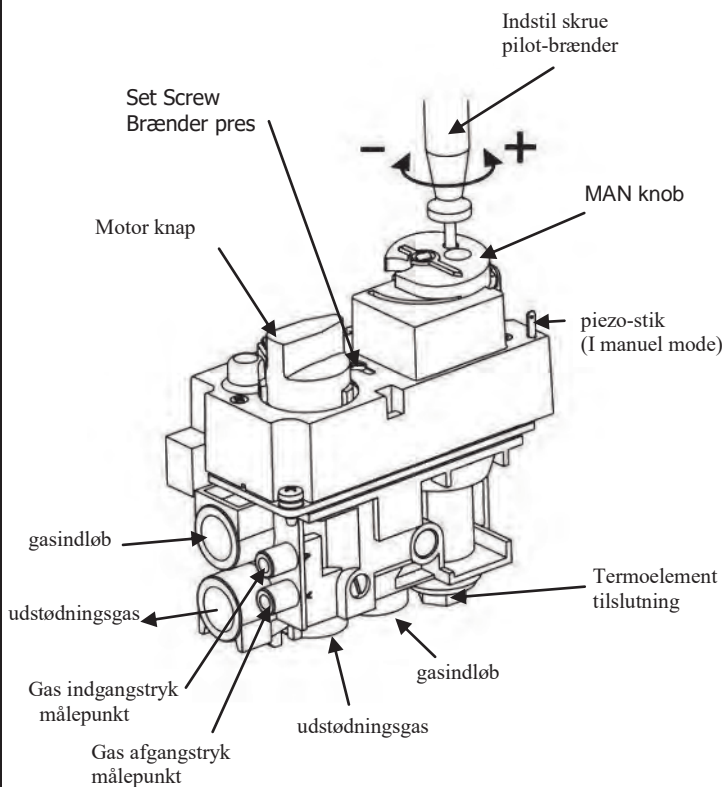
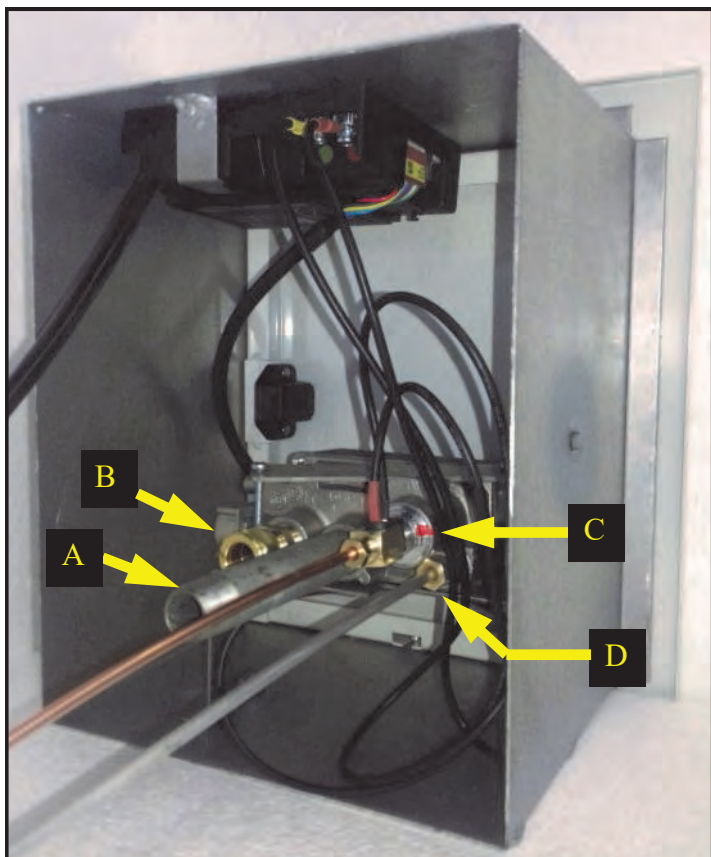
C: *Åbningen mellem brænder og dekorationspladen skal holdes fri for glødemateriale. Anvendelse af for meget glødemateriale kan have effekt for forbrændingsprocessen.*

VIGTIGT

DET KONTROLLERES, AT PILOTLYSET HOLDES FRI!

4. TEKNISKE DETALJER GV60

Gasregulator type	: Mertik GV60 M1-C5D3KL-0001 / B6R R8U
Antændelse	: Fjernbetjening og Piezo antændelse
Gas connection	: 3/8 "(Internt) A = Gas indtag B = Gasudledning C = Termoelement forbindelse D = pilot burner connection
Gaspejs kategori	: C11-C31-C91
Pilotflamme	: SIT 3 flammer
Forbrænding gasudledning og tilførsel af forbrændingsluft	: Koncentrisk: Ø100 / 150 mm



5. TILLÆGSOPLYSNINGER TIL MERTIK MAXITROL GV60 OG FJERNKONTROLLEN

Vær sikker på, at gastilførselsrøret er rent og frit for partikler og fugtighed.

Før gastilførselsrøret (nyt eller eksisterende) kobles til hovedgasrøret ved gasmåleren og gasregulatoren, skal ren komprimeret luft blæses gennem røret. På alle kobberrør og aluminium pilotrør (diameter 4 mm) skal grater fjernes og blæses rene, før de kobles til. Støvfiltret ved koblingen til gasregulatoren filtrerer kun de groveste partikler. Små partikler vil fortsat kunne komme ind i og beskadige/påvirke gasregulatoren.

Varme, fugtighed og støv kan være skadelig for alle elektroniske komponenter.

Installer først den elektroniske gaskontrol, når alt byggeri, pudsnings og malearbejde er færdigt udført. Hvis det alligevel er nødvendigt at udføre sådan arbejde efter installeringen, bør man beskytte gasregulatoren mod smuds og fugtighed med f.eks. plastfolie.

⚠ ADVERSEL

Elektroniske komponenter vil tage permanent skade, hvis de udsættes for temperaturer højere end 60 °C. Standard AA batterier vil begynde at lække ved temperaturer >54°C og indholdet vil ødelægge de elektroniske kontakter på undersiden. Batterier har længst holdbarhed ved <25°C. Ved >50°C reduceres levetiden til ca. 23 uger, noget som vil føre til unødvendige udgifter

Installer gasregulatoren og modtageren, ligesom de var forhåndsinstalleret fra fabrikken.

Husk at det kan forekomme, at komponenter skal udskiftes ud, eller der skal foretages reparationer. Det kan være vanskeligere at udføre udskiftninger og reparationer, hvis komponenterne er installeret på en anden måde end den, som er anbefalet af os!

Man bør først koble batterier eller 220 V adapter til, når modtager, gasregulator og Pilotbrænder er koblet til.

For tidlig tilkobling af strømkilden, kan resultere i skade på kontrolenhedens CPU (central processor).

Kablet til tænderen og antennekablet må ikke være i kontakt med hinanden, og de må heller ikke krydse hinanden.

Den høje spænding, som kommer gennem kablet fra tænderen ved tænding af pejsen, kan skade den sensitive modtagerkreds. Det kan føre til, at modtageren bliver mindre sensitiv eller ikke reagerer på signaler.

VIGTIGT

Stram ikke strømkontakt og termoelement for hårdt til gasregulatoren eller til hinanden.

Det er tilstrækkeligt at stramme med hånden plus en halv omdrejning med fastnøgle. For løs stramning vil bryde forbindelsen til den magnetiske coil under og/eller isolationen rundt om aluminiumskontaktnålen i strømkontakten. Det kan føre til, at den magnetiske coil ikke forsyner pilotsystemet med gas, og enheden vil derfor ikke kunne fungere.

Termoelementet må kun forlænges med en original forlænger. (Denne fås hos Deres leverandør)

Hvis der anvendes en uoriginal forlænger, får man en spændingsreduktion, og dermed kan magnetspolen ikke aktiveres.

Man bør undgå, at antændelsesgnisten berører andre dele end piloten.

Antændelsesgnisten skal være uhindret og må ikke være i berøring med andre metaldele. Hvis der anvendes en kabelforlænger, bør man sikre sig, at forbindelserne er isoleret med silikone.

For automatisk start via senderen, tændes modtageren, kontrolenheden og gasregulatorventilen

Den ovale metalring på gasregulatorenheden drejes i ON position. **I/O** kontakt stilles i "I" position. Antændelseskablet forbindes med modtagerenheden i terminalen **SPARK**.

Senderne indeholder thermostat sensorsystemet

Senderen virker bedst ved en placering 2 til 3 m fra gaspejsen. Selvom kommunikationen forgår via kortbølge radiosignaler, anbefales det, at senderen placeres et sted, hvor man gerne vil nyde den behagelige temperatur. Den bør ikke placeres i direkte sollys eller på andre varme steder. Termostaten måler temperaturen og regulerer dermed flammestørrelsen.

Batterier fjernes ved hjælp af det røde bånd, der er placeret under batterierne.

Der må ikke anvendes metalværktøj, da det kan forårsage permanent skade på de elektroniske komponenter.

6. GASSPECIFIKATIONER

1080

GASTYPE		G20	G25	G30/31
LAND		NO/DK/ES/PT/DE/IE/ GB/BE/FR/IT/LV/SI/ SK/EE/ HU/LT	NL/DE	NL/NO/DK/DE/ES/PT/IE/ GB/ BE/FR/LV/SI/EE/HU/ LT/PL/CY/MT/IT
CATEGORI		I2H/I2E/I2E+	I2I/I2ELL	I3B/P/I3+
PRIMÆR LUFT		1x Ø8	1x Ø5	3x Ø16
FORUDINDSTILLET-TRYK		20	20/25	30/37
BRÆNDERTRYK HØJ	mBar	11.1	11.6/13.6	28.7/36.6
BRÆNDERTRYK LAV	mBar	3.5	5.2/5.9	14.4/23.4
INDSPRØJTNINGSHUL	Ø MM	2.6	2.6	1.3
PILOT INJEKTOR	CODE	51	51	30
LAV KLASSE UDBORING	MM	1.7	1.7	1.3
BELASTNING Hs	kW	8.8	8.6	8.5/7.4
BELASTNING Hi	kW	9.8	9.5	9.1/7.7
FORBRUG	m³/h	1.05	1.08	0.26/0.48
NOM.EFFEKT	kW	7.3	7.1	6.85/5.78

Appliance has NoX Class 5

AT	I2H, I3B/P	BE	I2E+, I3+	DK	I2H, I3B/P	DE	I2ELL, I3B/P
FI	I2H, I3B/P	FR	I2E+, I3+	GR	I2H, I3B/P	GB	I2H, I3+
IS	I3B/P	IE	I2H, I3+	IT	I2H, I3+	LU	I2E, I3B/P
NL	I2L, I3B/P	NO	I3B/P	PT	I2H, I3+	ES	I2H, I3+
SE	I2H, I3B/P	CY	I3B/P, I3+	EE	I2H, I3B/P	LT	I2H, I3B/P
LV	I2H, I3B/P	MT	I3B/P	HU	I2H, I3B/P	PL	I3B/P
SI	I2H, I3B/P	SK	I2H	TR	I2H, I3B/P		

7. KONCENTRISKE AFTRÆKSSYSTEMER

Tablet over koncentriske aftrækssystemer

Aftrækssystemer	Illustration	X total i meter		Y total i meter		Restriktion
		min*	max*	min	max*	
						1080
Indirecte geveluitmondning	A-B	1	3	0	3	
Taggennemføring uden hældning	C	2	12			fra 3 meter
Taggennemføring med 45° hældning**	D	3	12	0	4	fra 3 meter
Taggennemføring med 90° hældning***	E	1	12	0	2	fra 3 meter

45° bøjning: kalkulationslængde 1 meter

90° bøjning: kalkulationslængde 2 meter

* længde eksklusiv udgang på tag eller ydervæg. Startlængden skal altid være 1 meter! til NG apparater

** længde eksklusiv udgang på tag eller ydervæg. Startlængden skal altid være 1 meter! til LPG apparater

*** Lodret: vandret ratio $X + X1 + X2 : Y \geq 2 : 1$

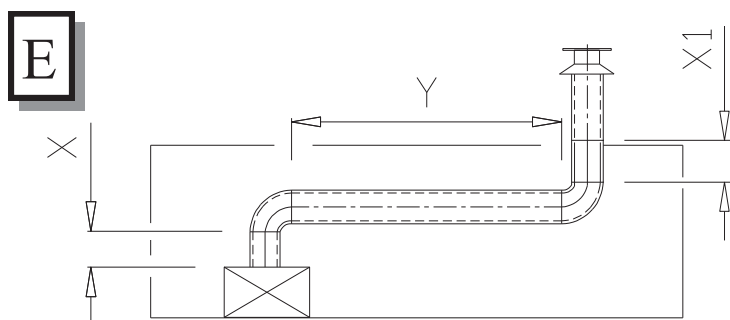
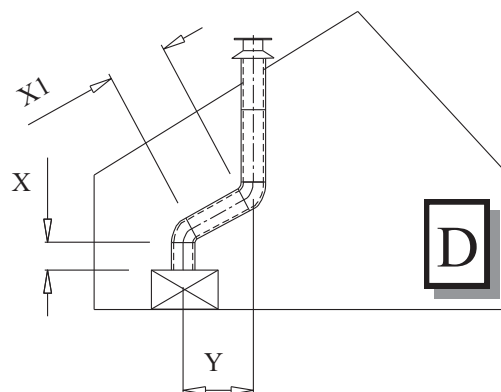
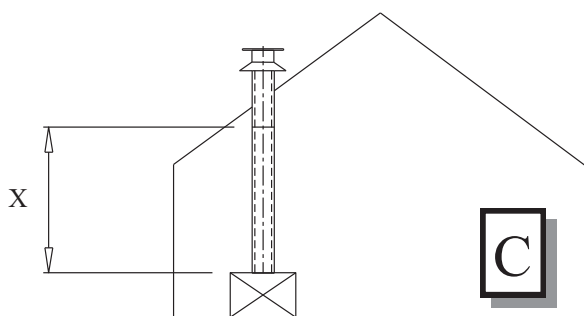
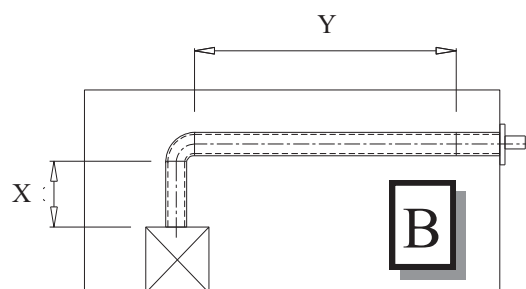
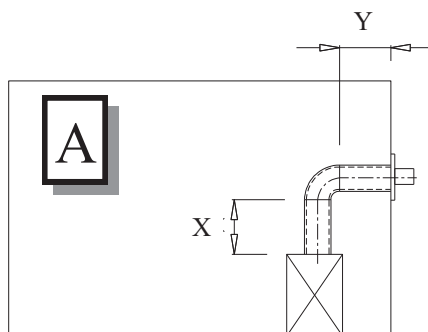
**** Lodret: vandret ratio $X + X1 : Y \geq 2 : 1$

Restriktionsbestemmelser:

Væggennemføring - 1 meter lodret, 90° bøjning, max. 3 meter vandret, Væggennemføring ingen restriktion.

Taggennemføring - 2 til 5 meter lodret + taggennemføring, 35 mm restriktion.

Taggennemføring - 5 til 12 meter lodret + taggennemføring, 52 mm restriktion.



8. KONCENTRISK AFGASSYSTEM

Koncentrisk kanalsystem består af en indre kanal, 100 mm eller 130 mm i diameter, og en yderkanal på 150 mm eller 200 mm i diameter. Disse kanaler er koncentrisk tilpassede. Afgasser går gennem den indre kanal, og tilførsel af forbrændingsluft går mellem den ydre og indre kanal.

9.1 Komponenter for det koncentriske afgassystem.

Det koncentriske afgassystem kan monteres på forskellige måder:

Through the roof face and through the exterior wall.

Der findes forskellige løsninger for dette system,

men man må ta' hensyn til nogen vigtige forhold:

- * Tilladte maksimum total længde på en kanal er 12 m (summen af kanallængde + nominal længde på bøjningerne)
- * 90° bøjning har en nominal længde på 2 m.
- * 45° bøjning har en nominal længde på 1 m.
- * Udtaget kan laves hvor som helst gennem tag eller ydervæg (så længe indtaget og udtaget er i samme trykzone), men gældende regler skal følges.
- * Afgasrøret må ikke isoleres.

VIGTIGT

- * **Vær sikker på den rigtige restriktionsplade er monteret korrekt i henhold til instruktionen.**
- * Korrekt plade vil give den optimale forbrænding og smukt udseende.
- * Ukorrekt kan betyde af pejsen ikke fungerer ordentligt.

9.2 Udformning af det koncentriske afgassystem CC.

Indirekte montering gennem ydervæg.

- * Udtaget kan også placeres højere på væggen - f.eks. for at undgå hindringer fra omgivelserne (iht. nationale, regionale og lokale regler.) Pas på at vægterminalen ikke bliver udsat for ekstreme vindforhold, f.eks. ved balkoner, flade tag, hjørner og i smalle skakter osv. For stærkt vindtryk kan påvirke effekten negativt.
- * Lav et hul i ydervæggen på ca. 155 mm ved rør 100-150, eller 205 mm for rør 130-200 (ved brændbare vægge skal der være 50 mm ekstra rum rundt om yderrøret og brug brandsikker dækplade), og fæstn vægrør ret med dækplade på indersiden af væggen. Vægpladen på ydersiden skal tætnes tilstrækkelig mod yder væg for at sikre mod lækage af fugtighed eller afgas ind i boligen.
- * Rørsystemet bør bygges ind hvis nødvendigt. Tag tilstrækkelig hensyn til brandsikkerheden også når røret monteres i nærheden af brændbare materialer.
- * Placer ildstedet på det ønskede sted, og begynd monteringen af kanalsystemet fra tilkoblingen på ildstedet. Kobl sammen elementene med spændebånd.
- * Justeringer kan foretages ved at indsætte justerbar længde L=50-200 mm mellem bøjninger eller ved tilkobling til ildstedet. Brug hvis nødvendigt vægbæring for at støtte røret.

Tilkobling gennem tag.

- * Udtaget kan være hvor som helst på taget (udtag og indtak i samme trykzone), og skal følge gældende regler, angivet i Gasreglementet.
- * Taginddækninger efter behov bruges for at lave en vandtæt montering gennem tag. **Åbningen i taget skal være mindst 50 mm større end selve kanalen.** For at afstanden fra kanalen til træværk kan være kun 25 mm, skal hullet beklædes med 12 mm Promatect eller Farmacell plader indvendig.
- * Placer ovnen i rigtig position og afgør hvor udtaget skal være. Monter kanalen på ovnen (altid min. 1 m. vertikalt først). Følg monteringsanvisningen nøje, og brug spændebåndene til at samle elementerne. Pas på at alle samlinger er tætte.
- * Justerbare længder kan bruges mellem bøjninger og ved tilkobling til ildsted og/eller tagterminal. Brug 2 vægbeslag for at støtte røret i hver etage.

8.3 Installation gennem eksisterende skorsten.

Vejledning

Kanalsystemet kommer ind under kategori C91 og må bygges i overensstemmelse med nationale regler og iht. producentens instrukser. Dette betyder bla. at eksisterende skorsten ikke må være mindre enn 155 mm rund/firkantet, men heller ikke større enn 200 mm og ikke indeholde ventilationsåbninger osv. Dersom eksisterende skorstensløb er større, kan man bruge en fleksibel slange på 150 mm sammen med fleksibel slange på 100 mm (som beskrevet nedenfor). Kontakt producent/leverandør i andre situationer.

8.4 Dele

Kontroller at alle dele er i god stand før du begynder monteringen.

Du behøver flg. dele for at konvertere en muret skorsten til et koncentrisk kanalsystem

Bemærk: Renovationssættet består af delene 4, 5 og 7

8.5 Installation

- * Den fleksible slange (6) føres igennem den eksisterende kanal (8).
- * Adapteren (5) monteres til bunden af den fleksible slange og fastspændes ved hjælp af de to beslag.
- * Monteringspladen (7) er justerbar. Den fastmonteres på det ydre rør og mod loftet. Det skal være helt lufttæt.
- * Den fleksible slange afkortes til ca. 100 mm ovenover skorstenens afdækningsplade.
- * Monteringspladen/forbindelsesstykket (7) fastgøres til den fleksible slange på taget ved hjælp af beslag. Herefter fastgøres slangen i holderen.
- * Monteringspladen/ forbindelsesstykket (7) fastgøres til skorstenens afdækningsplade på taget ved anvendelse af silikone forsegling og skruer i rustfrit stål. Monteringen skal være helt vandtæt.
- * Røret, der skal føres gennem taget (9), monteres og fastspændes med de leverede spændebånd (8).
- * Pejsen placeres i overensstemmelse med producentens anvisninger.
- * Der skal altid anvendes 1 meter koncentrisk aftrækssystem type THC-CC 100-150 (2), eller 130-200 mm med en reduktion til 100-150 mm.
- * Forlæng den koncentriske kanal med sektioner (2) op til minimum 100 mm i skorstenen. Afslut med at vride spændebåndet i monteringspladen med hånden (4).

8.6 Rengøring og vedligeholdelse

Gaspejsen bør kontrolleres og serviceres en gang årligt af en autoriseret og uddannet person.

Man bør ved kontrol og vedligeholdelse sikre sig, at gaspejsen virker korrekt og sikkert.

Man bør rengøre gaspejsen for støv og snavs, inden fyringssæsonen starter og med jævne mellemrum i denne periode. Gaspejsen kan rengøres med en blød børste, en støvsuger og en fugtig klud. Der kan eventuelt anvendes et rengøringsmiddel uden slibemiddel.

Man bør aldrig anvende ætsende og slibende stoffer til rengøring af gaspejsen.

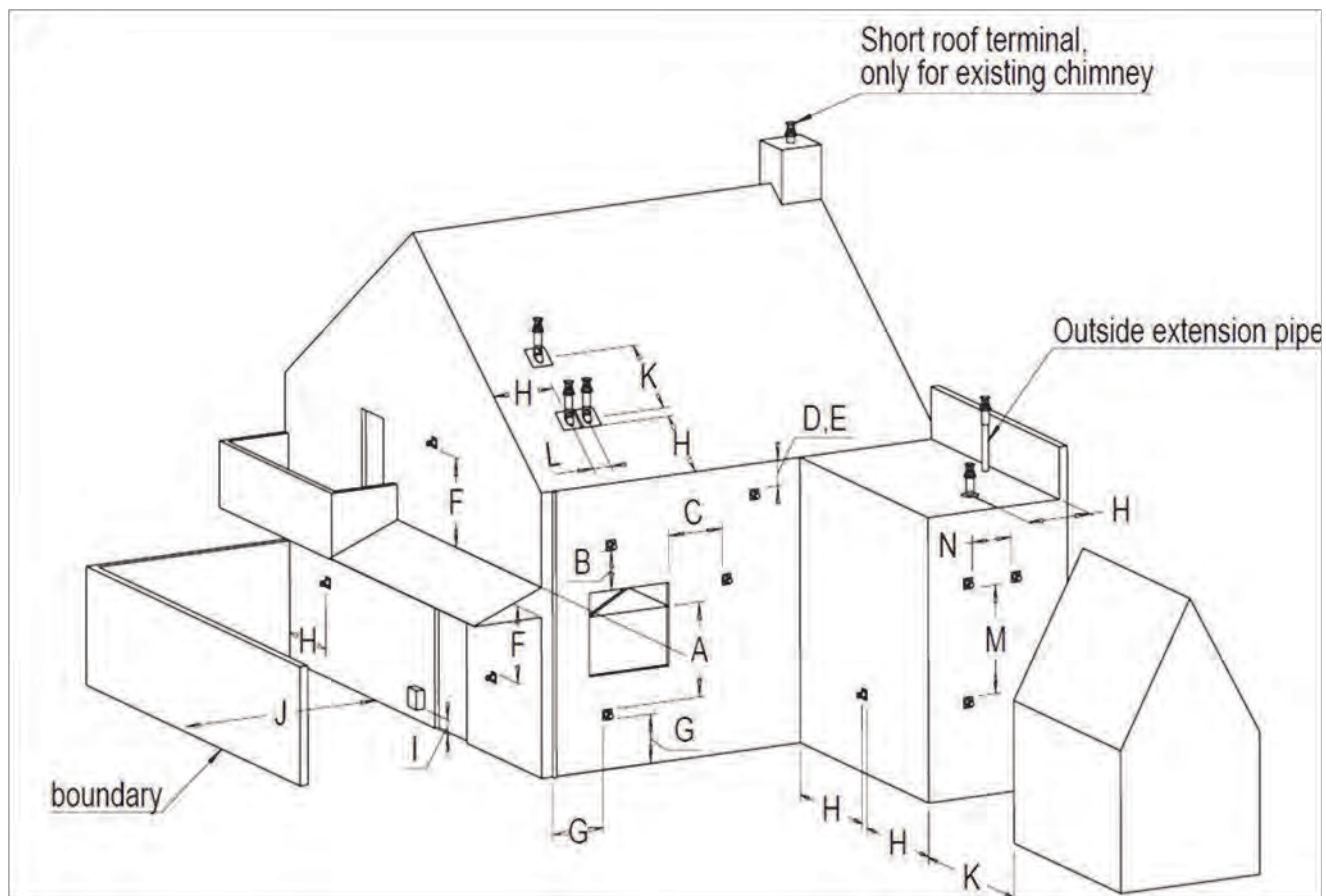
Det koncentriske aftrækssystem bør kontrolleres og rengøres hvert andet år.

Endvidere kontrolleres:

1 Gastætheden i gaspejsen og det koncentriske aftrækssystem.

2 at gasregulator og tænding af brænderen fungerer korrekt.

9. KORREKT PLACERING AF TERMINALER OG FUNKTION



Dimensioner	Terminal position	Afstand mm
A	Afstand til ventilationsåbninger	Lokal*
B	Afstand til ventilationsåbninger	Lokal*
C	Afstand til ventilationsåbninger	Lokal*
D	Under en tagrende, faldstammer eller afløbsrør	500
E	Under tagudhæng	500
F	Under carport, tag eller altan. Fra ind- og udvendige hjørner.	500
G	Fra lodrette faldstammer og afløbsrør	300
H	Ind- og udvendige hjørner	500
I	Over en udvendig gastykregulator	1000
	Siden af en gastykregulator	500
J	Fra en overflade/grænse til en terminal	Lokal*
K	Fra en terminal overfor en terminal	1000
L	Fra midten af to tagterminaler	450
M	To vægterminaler ovenover hinanden	1000
N	To vægterminaler ved siden af hinanden	1000

10. MERTIK GV60 PROBLEMLØSNING

Nr.	Handling	Mulig årsag/problem	Løsning
1.	Valg: Vægbryder START: tryk ON> vægbryder virker	Bøjede pinde på bryder, eller ved kabel.	Ret pindene, byt vægbryder ud eller kabel.
2.	Manuel sender START: tryk begge knapper for at starte tændingssekvens.	Svagt batteri i sender	Byt batteriet, 1,5V AAA Alkalisk kvalitetsbatteri!
		Svage batterier i modtager.	Byt batterier. 1,5 AA alkaliske kvalitetsbatterier!
		Valgfri batterieliminators virker ikke.	Tjek batterieliminators
		Tjek kodning på sender og modtager	Lær ny kode ind. Se vejledning og etiket på modtager.
		Sender/modtager begrænset dækning.	1. Flyt antennekabel, se vejledning. 2. Byt modtager.
		Fejl ved valgfri vægbryder / kabel.	Byt vægbryder / kabel.
		Mottagersikring røget (kun på ældre modeller)	Byt modtager.
	OK ↓		
3.	Magnetenhed i gasventil aktiveres (hørbart klik)	Ingen pip	Fejl ved impulsmagnet. Byt gasventil.
	NEJ →	3 korte pip	Svage modtagerbatterier. Byt batterier. 1,5V AA alkaliske kvalitetsbatterier.
	NEJ →	1 langt pip	ON/OFF bryder på gasventil er i OFF position. Sæt bryder på ON
		8-trådet kabel mellem modtager og gasventil defekt / dårlig kontakt.	Tjek kabel og forbindelser.
		Bryderkabel koblet fra	Tjek bryderkabel. Se billede 1 på side 19.
		Motoren virker ikke ordentligt.	Byt gasventilen.
		Microbryderen på gasventil virker ikke ordentligt	Byt gasventilen.
	OK ↓		

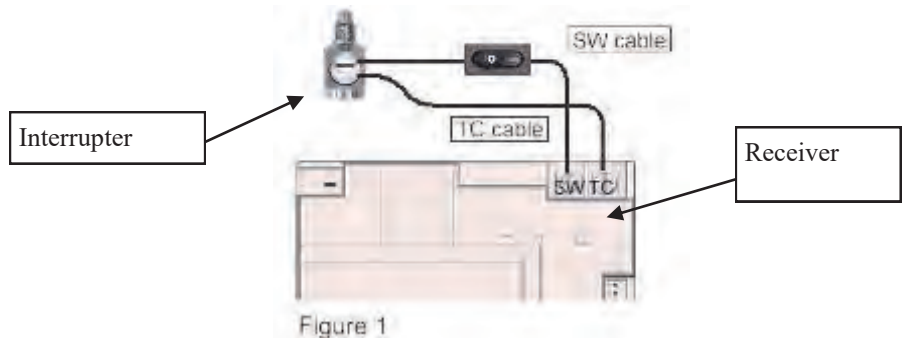
Nr	Handling	Mulig årsag/problem	Løsning
----	----------	---------------------	---------

4.	Gnister dannes hvert sekund	NEJ →	Fejl ved tændningskomponenterne.	IGN sekvens stopper, ingen pilotflamme. Sendekommandoer er mulig. Tjek IGN elektrodens gniståbning Tjek IGN elektroden for udladning til jord (keramisk brud) Tjek IGN kabel for skader Tjek IGN kabel for skader. og afstanden mellem IGN kabel og alle metaldele. Tjek at gnist ikke ledes til jord ved tændrør. Forkort kablet om muligt. Hvis aktuelt kan ekstra isolation opnås med silikonestrømpe etc
		NEJ →	IGN sekvens stopper, ingen pilotflamme. Ingen reaktion på senderkommandoer (motager reagerer ikke)	Tryk RESET, se vejledningen. Træk en jordkabel mellem pilotbrænder og gasventil. Ikke kveil IGN kabel Forkort IGN kabel hvis mulig.
		NEJ →	IGN sekvens stopper, ingen pilotflamme. Sendekommandoer er mulig. Pilotflamme er tændt Gnist stopper når	Byt batterier. 1,5V AA alkaliske kvalitetsbatterier.

OK
↓

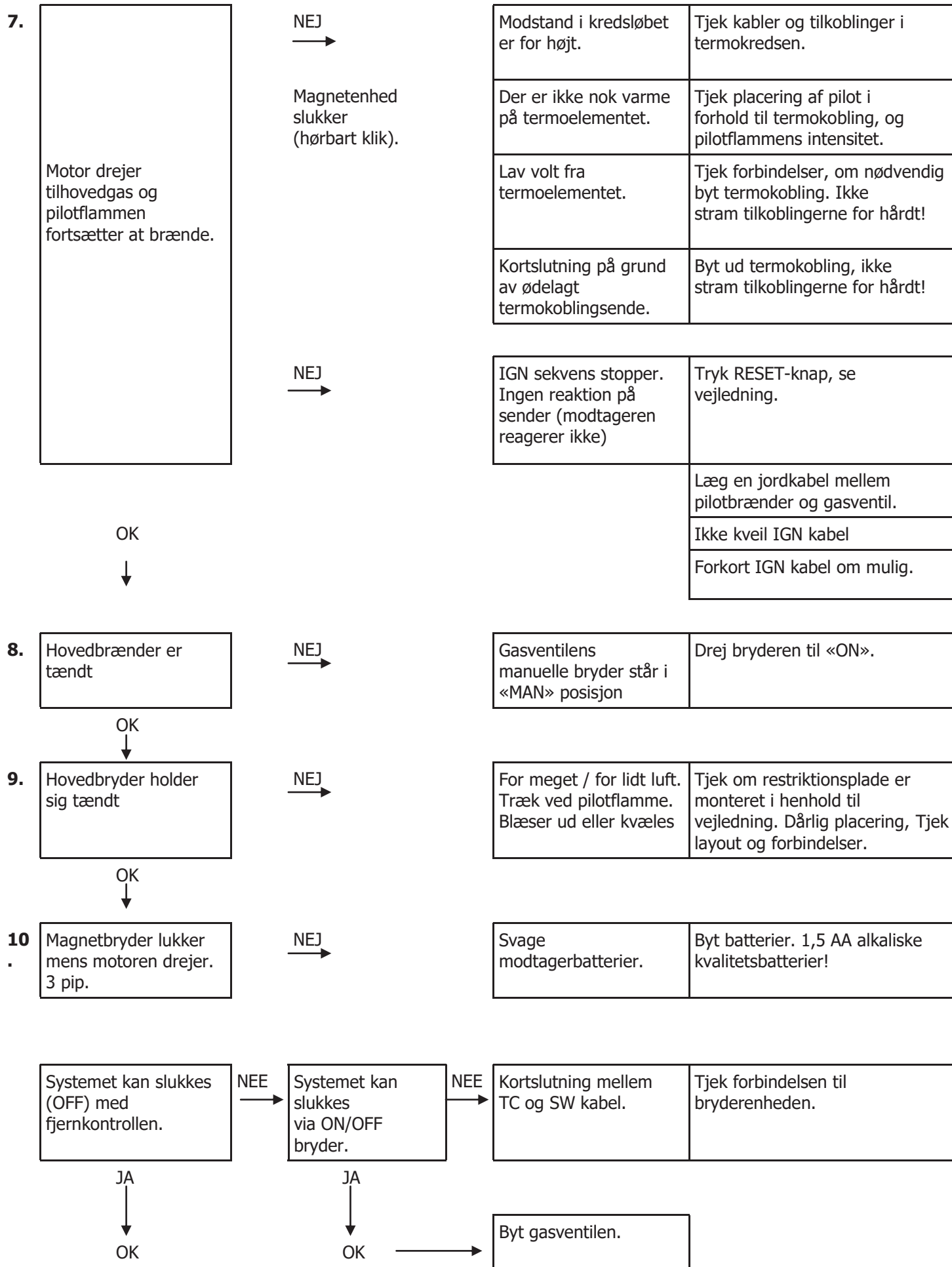
5.	pilotflammen er tændt	NEJ →	TC og SW kabler byttet om.	Tjek kabel til modtager og bryder, se billede 1.
			Fejl ved impulsmagnet	Byt gasventilen.
			Kortslutning mellem bryder og SW kabel.	Tjek forbindelse til bryder.
			Ikke gas (magnetenheden slukker efter 30 sekunders hørbar tælling).	Tjek gastilførselen til gasventilen.

OK
↓



6.	Vonken stopt nadat waakvlam brandt	NEJ →	Kortslutning mellem bryder og TC .	Tjek forbindelse til bryder, se billede 1.
			Byt ud modtager.Byt ud modtager.	Bryder Modtager

OK
↓



INSTRUCCIONES DE INSTALACIÓN

Trimline Surtido

1080

Trimline 2050 OH

1. INSTRUCCIONES DE INSTALACIÓN	pág. 3
1.1 Instrucciones generales	
2. COLOCACIÓN DEL APARATO	Pág. 4
2.1 Conexión a instalación de gas	
2.2 Preparación y montaje del aparato	
2.3 Instalación del regulador de gas GV60	
3. COLOCACION DEL JUEGO DE LENA CERAMICA Y DEL JUEGO DE GUIJARROS (OPCIONAL)	Pág. 5
3.1 Colocación del juego de leña cerámica	
3.2 Colocación del juego de guijarros (opcional)	
4. DATOS TÉCNICOS GV60	pág. 6
5. INSTRUCCIONES DE MERTIK MAXITROL GV60	pág. 7
6. DATOS TÉCNICOS (INSTALACIÓN DEL GAS)	pág. 8
7. TRAJECTOS CONCÉNTRICOS	pág. 9
8. SISTEMA DE CONDUCTOS CONCÉNTRICOS	pág. 10
8.1 Componentes del sistema de conductos concéntrico	
8.2 Instalación del sistema de conducto concéntrico	
8.3 Instrucciones de instalación en conductos de humo existentes	
8.4 Piezas	
8.5 Montaje	
8.6 Limpieza y mantenimiento	
9. POSICIONES DE EVACUACIÓN Y SU CORRECTO FUNCIONAMIENTO	pág. 12
10. LISTA DE POSIBLES FALLOS MERTIK GV 60	pág. 13

APÉNDICE 1. ESQUEMAS DE MEDIDAS

APÉNDICE 2. EJEMPLOS DE MONTAJE

APÉNDICE 3. INSTRUCCIONES DE INSTALACIÓN

APÉNDICE 4. PREPARACIÓN Y MONTAJE DE INSTALACIÓN

APÉNDICE 6. PREPARACIÓN DEL GV60 PARA SU INSTALACIÓN

APÉNDICE 7. COLOCACIÓN DEL JUEGO DE LEÑA CERÁMICA

APÉNDICE 8. DEL JUEGO DE GUIJARROS (OPCIONAL)

1. INSTRUCCIONES DE INSTALACIÓN

¡ATENCIÓN!

La instalación de éste aparato sólo puede ser realizada por un instalador autorizado.

11. instrucciones generales.

- * El aparato debe ser instalado, conectado y controlado por un instalador autorizado conforme la normativa nacional, regional y local. El instalador debe revisar la estanqueidad al gas y a los productos de combustión del aparato y comprobar el funcionamiento correcto de todos los componentes y funciones.
- * Además, el sistema de evacuación y las salidas en la fachada o en el tejado deben cumplir con la normativa vigente.
- * La diferencia entre la temperatura ambiental y la de las paredes y los estantes delante y detrás del aparato no debe superar 80°C.
- * El aparato ha sido aprobado según la norma del CE para los aparatos de gas en combinación con el sistema de conductos concéntricos TCH CC Ø100/Ø150 mm o Ø130/Ø200 mm y por lo tanto no se debe utilizar con otros sistemas.
- * El instalador debe de controlar si los datos (el tipo y la presión del gas) que figuran en la placa descriptiva del aparato coinciden con los de la distribuidora local.
- * La información es válida solo si en la placa también figura el código del país en cuestión. En caso contrario es preciso consultar al fabricante sobre los datos técnicos de instalación de gas en el país correspondiente y sobre las modificaciones a aplicar.
- * Antes del primer encendido la línea de suministro de gas está llena del aire. Por esa razón debe purgarse antes del encendido.
- * Encienda el hogar según las instrucciones de mando y vigile si las llamas son regulares. Después del primer encendido probablemente tendrá que limpiar el cristal con un producto limpiacristales para estufas para quitar el residuo resultante del curado de esmalte.

Distancia hasta materiales inflamables:

El frente, laterales y lado superior del aparato tienen que estar a una distancia de 1200 mm de: cortinas, tapizados y telas y/u otro material inflamable, excepto cuando en este manual se indique diferente.

Distancia hacia materiales no inflamables:

Durante la instalación hay que dejar una distancia de 25 mm entre el aparato y la pared, excepto cuando en este manual se indique diferente.



ADVERTENCIA

Las chimeneas de gas se calientan durante el funcionamiento. Después de la instalación de la chimenea, la superficie del cristal se considera zona activa. La superficie del cristal puede alcanzar temperaturas muy altas. En consecuencia, hay que actuar con precaución y mantener alejados a los niños y personas discapacitadas mientras la chimenea esté encendida. Además, los aparatos de calefacción no se deben colocar sobre o muy cerca de materiales inflamables (cortinas etc.).

¡Nunca coloque el dispositivo contra o en una pared inflamable!

Consejo

El material de construcción para los conductos, campanas, etc. o para el empotrado debe ser no inflamable. Lo mismo vale para los suelos y tejados. De acuerdo con las instrucciones de arriba, no utilice nunca materiales inflamables cerca del aparato.

En caso de cualquier duda consulte su proveedor.

2. INSTALACIÓN DE LA ESTUFA

¡ATENCIÓN!

Antes de empezar con la instalación es aconsejable repasar el capítulo 7: **Sistema de Canales Concéntricos**.

2.1 Conexión a la instalación de gas

El mismo emplazamiento del aparato va a determinar la posición de la conexión de gas. Asegúrese de que durante la conexión no se altere nada en el sistema de regulación y no provoque excesivas presiones. La accesibilidad de distintos puntos de conexión de ciertos componentes tiene que estar garantizada. Después de realizar la conexión compruebe si los acoplamientos son estancos al gas. En la tubería de suministro utilice una llave de gas de 3/8" con acoplamiento. Asegúrese de que la tubería esté libre de suciedad y arena y que el gas y los productos de combustión de distintos componentes y funciones circulen correctamente. La conexión al gas se tiene que poder desconectar sin esfuerzo. Eso es necesario para evitar posibles daños del sistema de regulación.

2.2 Preparación y montaje del aparato (Ver APÉNDICE 4)

- * Retire el embalaje y controle que el aparato no presente ningún daño.
- * **¡Atención!** Ponga el aparato sobre un fondo estable.
- * No acueste el aparato sobre su parte trasera o lateral.
- * Coloque el aparato en el lugar de destino.
- * Retire la protección inferior del cristal
- * Desatornille los tornillos de la parte superior e inferior del soporte del cristal. (2)
- * Con las ventosas, que se incluyen, colocadas en la superficie central de la placa, es muy fácil sacar el cristal primero empujándolo suavemente para abajo y luego halando lenta y cuidadosamente la parte inferior. Una vez afuera, hay que guardar el cristal en un sitio seguro donde no se pueda romper ni dañar. (3)
- * Después saque las partes empaquetadas del aparato y compruebe que no estén rotas o dañadas.
- * Sitúe el aparato (Ver APÉNDICE 2, ejemplo de la situación de empotramiento). El aparato se debe asegurar directamente a la pared por su parte trasera. (no se incluye material de fijación). (4)
- * Ajustando las patas del aparato, se puede subir o bajar el aparato para un ajuste basto. (min 150, máx. 455). (4)
- * Las patas ajustables ofrecen la posibilidad de un ajuste más fino.
- * Después de haber montado el bloque regulador de gas GV60 (Ver 2.3), monte el caja de mandos, de acuerdo a su situación de montaje.
- * La distancia entre la caja de mandos y el aparato está determinada por la longitud del cable que une la caja de mandos con el quemador de llama piloto y el bloque de gas etc. Ésta es de máximo 1500mm.
- * Coloque las rejillas de ventilación, que se incluyen, a 50 cm de distancia del cielo raso, sobre la respectiva pared. Ver APÉNDICE 2 (ejemplo de la situación de empotramiento). Un cielo raso dentro de la construcción, para un cielo raso más bajo, de un material no inflamable, puede ser una solución en caso de una situación difícil.

¡ATENCIÓN!

La temperatura de las rejillas de ventilación puede llegar hasta los 100 °C. Por lo tanto se recomienda tener mucho cuidado.

2.3 Instalación del regulador de gas GV60. (Ver APÉNDICE 5)

El regulador de gas se ha instalado debajo del aparato. El bloque de gas, incluyendo el quemador, debe ser instalado por un instalador autorizado. A continuación el proceso a seguir paso a paso:

- * Después de retirar el cristal, se pueden sacar las piezas que se incluyen dentro del aparato. Acueste el aparato con cuidado sobre su parte de atrás. (1) Puede usar el pallet de madera para soportar el aparato.
- * Retire las dos abrazaderas que sujetan los tubos, cables etc. que vienen juntos. (2)
- * Saque con cuidado el tornillo de la abrazadera de la válvula de gas (3) y desplace la unidad hasta el lugar donde se va a montar el caja de mandos .
- * Coloque la válvula de gas en la posición correcta, detrás de la caja de mandos.
- * Monte la válvula de gas, incluida la abrazadera, dentro de la caja de mandos como se indica, y asegúrela con las dos tuercas de mariposa.
- * Deslice el quemador automático, incluida la abrazadera, dentro de la caja de mandos y asegúrelo como se indica.
- * Posicione la caja de mandos completo dentro de la carcasa de la estufa. Controle la distancia entre la estufa y el casete a través de la limitada distancia del termopar etc. (7)
- * Cuide que los tubos, los cables de encendido y el termopar sean montados sin tensión de tracción o curvas cerradas. Esto se debe evitar en todos los casos. Controle que el cable de la bugía esté libre de partículas metálicas.

3. COLOCACION DEL JUEGO DE LEÑA CERAMICA Y DE GUIJAROS (OPCIONALES)

3.1 Colocación del juego de leña cerámica(Ver APÉNDICE 6)

- * Mezcle el cerámico combustible y los llamados "gusanos" uniformemente sobre el quemador y la placa que le rodea, hasta que a penas los cubra. Los copos incandescentes se pueden esparcir con discreción para un efecto decorativo.
- * Después coloque la leña en el orden correcto, como se muestra y el APÉNDICE5.
- * Coloque la leña con cuidado. Una posición diferente a la prescrita, puede desfigurar las llamas y causar problemas graves durante el proceso de combustión (explosión).
- * Antes de montar de nuevo el cristal, asegúrese de si es necesario montar una placa contratiro. Para ello ver el capítulo 7 "Trayecto concéntrico"
- * Si en su situación de montaje fuera necesaria una placa contratiro, retire la placa parallamas. Para ello destornille primero los tornillos en el lado frontal de la placa, después deslice la placa hacia atrás y retire la placa. Instale ahora la placa contratiro con los dos tornillos acompañantes y devuelva la placa parallamas a su sitio. Ver APÉNDICE 5. Figuras
- * Coloque de nuevo el cristal siguiendo los pasos en orden invertido, como se describe y el punto 2.2 y el APÉNDICE 4.

3.2 Colocación del juego de guijarros (opcional) (Ver APÉNDICE 7)

- * Distribuya vermiculita uniformemente sobre la placa cuadrada que rodea la placa de quemador. Mantenga destapada la llama piloto.
- * Coloque una serie de guijarros de tamaño mediano y grande en la parte frontal de la placa de quemador.
- * Cubra desde adelante hacia atrás la placa del quemador con guijarros de tamaño pequeño y mediano. Coloque las piedras lo más juntas que pueda.
- * Rellene la parte trasera con las piedras medianas y grandes. en el APÉNDICE 4.

OBSERVACIÓN: Cuando se coloca el juego de leña, distintos materiales combustibles u otros accesorios hay que tener en cuenta lo siguiente:

A: No ponga el material combustible sobre o dentro del quemador piloto.

B: Evite que el material cerámico llegue hasta el cordón del asiento del cristal. Límpielo en caso de que haya algún material pues esto puede dañar el cristal.

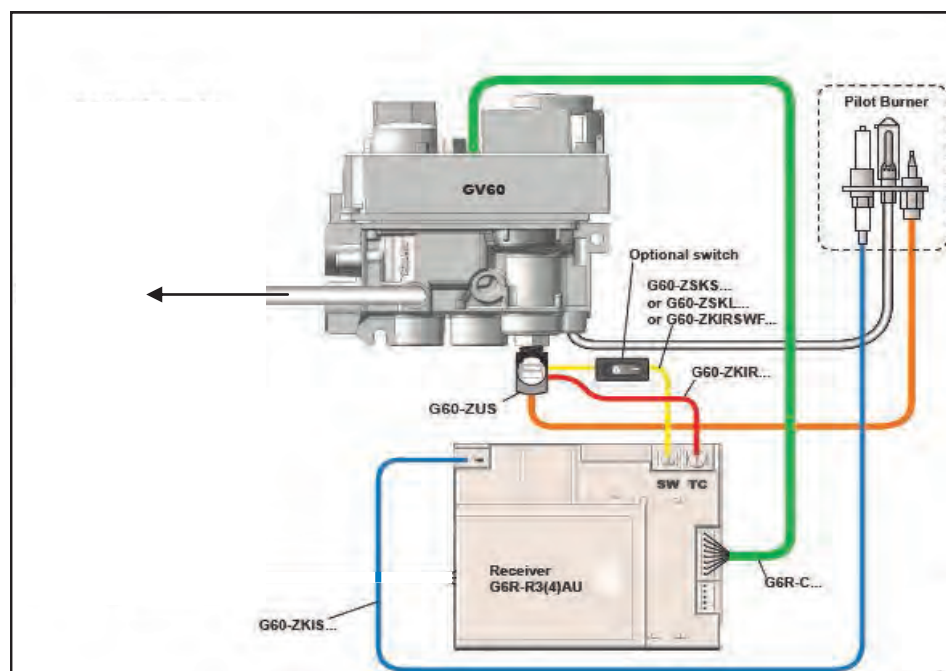
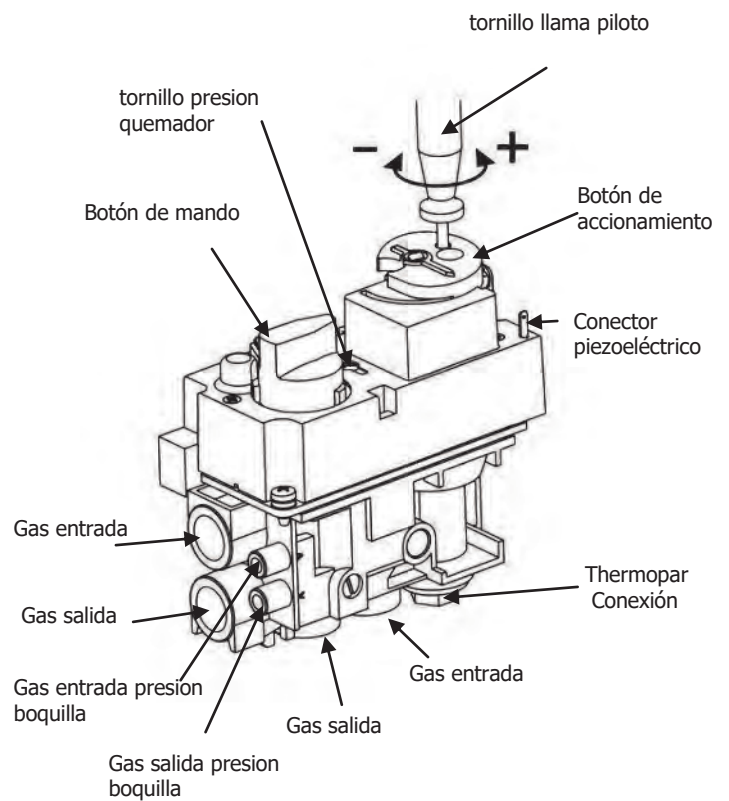
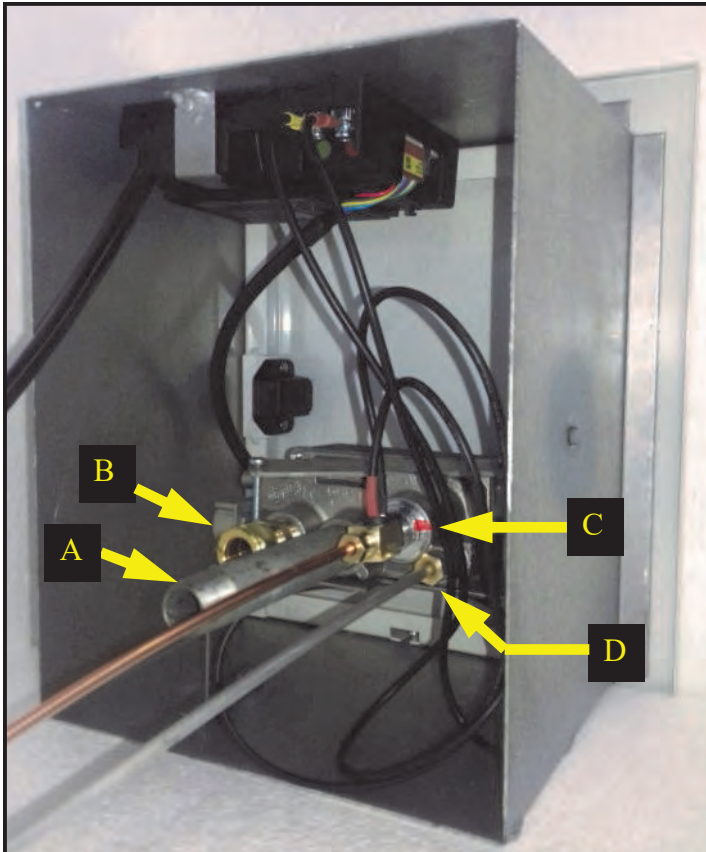
C: Las ranuras alrededor del quemador deben quedar libres de material combustible. Mucho material combustible puede afectar de manera negativa el proceso de combustión.

¡ATENCIÓN!

¡ASEGURESE SIEMPRE DE QUE LA LLAMA PILOTO ESTE LIBRE DE CUALQUIER MATERIAL!

4. DATOS TÉCNICOS GV60

Tipo de bloque de5gas:	Mertik GV60
Tipo de quemador automático:	B6R R8U
Encendido:	Mando a distancia y encendido piezoeléctrico
Conexión a gas:	3/8" (externo) A=entrada de gas B=salida de gas CD=conexión termopar D= Conexión a la llama piloto
Categoría del aparato:	C11-C31-C91
Llama piloto:	SIT 3 llamas
Evacuación de humos y admisión aire combustión :	Concéntrico: Ø100/150 mm



5. INSTRUCCIONES PARA MERTIK MAXITROL GV60

Asegúrese que las sustancias combustibles administradas al aparato sean limpias, sin humedad ni partículas de polvo.

Antes de conectar el tubo de suministro (nuevo o existente) a la canalización de gas por el medidor y al bloque regulador de gas, el aparato tiene que limpiarse con el aire a presión limpio y seco. Los tubos de , así como el tubo de aluminio del quemador piloto, una vez desconectados se tienen que desbarbar y urgar con el aire comprimido antes de que se vuelvan a conectar.

Calor, humedad y polvo constituyen una amenaza para toda la electrónica.

Mantenga el mando electrónico (de gas) bien protegido hasta que no se acaben todos los trabajos de pintura y estucado. En caso de que más adelante surjan otros trabajos semejantes, protéjalo contra la suciedad y la humedad con p. ej. un folio de plástico.

ADVERTENCIA

Las temperaturas superiores a 60°C dañan irreparablemente toda la electrónica. Las pilas comunes AA explotan en temperaturas por encima de los 54°C, entonces se derrama su contenido y dañan los circuitos electrónicos circundantes. Las pilas tienen la máxima vida útil en temperaturas por debajo de los 25°C. Por encima de los 50°C, su vida útil se reduce a solo 23 semanas, lo que innecesariamente sube los gastos del uso de aparato.

Siempre monte el bloque regulador y el receptor de la misma manera como lo hicieron en la fábrica.

Acuérdese que más adelante probablemente habrá que hacer recambios o reparaciones. El montaje del sistema de mando, de una manera diferente a la indicada por nosotros, puede dificultarlo.

Inserte las pilas únicamente después de haber conectado todos los cables del receptor, bloque regulador y dispositivo de llama piloto.

La conexión prematura a la fuente de energía puede dañar la electrónica.

Evite que el cable del encendido pase cerca o cruce el cable de la antena.

La alta tensión generada por el encendido puede averiar el sensible circuito receptor de la antena. Es posible que el aparato después no reaccione o que reaccione en una medida reducida a las órdenes del mando a distancia.

ATENCIÓN!

No atornille demasiado fuerte el interruptor de contacto ni la conexión del termopar al bloque receptor. Atornillarlos a mano y después darles media vuelta con una llave fija, será más que suficiente. El apretarlos demasiado dañaría la conexión de la bobina magnética y el aislamiento de la clavija de contacto de aluminio en el interruptor. En consecuencia, la bobina magnética no abrirá el suministro de gas para la llama piloto y el aparato no funcionará.

El termopar sólo puede extenderse con un set de extendido original.

(El set de extensión lo puede adquirir donde su proveedor). Una prohibida extensión del termopar causaría una baja de tensión, por la cual, la bobina magnética no se podrá activar.

Prevenga fugas de la chispa de encendido hacia otras partes de instalación. La chispa tiene que saltar directamente hacia la llama piloto.

Mantenga el cable de encendido lejos del revestimiento u otras partes metálicas. Si se le añade una extensión, aisle adicionalmente las conexiones con la malla de silicona.

Para accionamiento automático con el mando a distancia, tienen que ser conectados el receptor y los componentes de mando al regulador de gas.

El botón ovalado giratorio en el bloque regulador tiene que estar en la posición "ON". El interruptor I/O tiene que estar en la posición "I". El cable del encendido tiene que ser conectado a la caja de receptor en el punto de conexión 'SPARK'.

El sensor de termostato se halla en el mando a distancia.

Para el óptimo funcionamiento del mando a distancia la chimenea tiene que estar a 2-3 mt de él. A pesar de que los aparatos se comunican mediante radio señales de onda corta, es aconsejable tener el mando a distancia dentro del "campo de visión" de la chimenea en un sitio donde el usuario desee experimentar una temperatura agradable. No exponga el mando a distancia a la luz del sol ni a temperaturas elevadas. El termostato mide la temperatura y de acuerdo con esta temperatura regula la altura de llamas de la chimenea.

Saque las pilas únicamente con la cinta roja que se encuentra debajo de la pila, nunca con objetos metálicos. El uso de objetos metálicos para retirar la pila, puede dañar irreparablemente el mando electrónico.

ATENCIÓN!

Los productos sellados podría no ajustarse

6. DATOS TÉCNICOS (INSTALACIÓN DEL GAS)

APARATO		1080		
		G20	G25	G30/31
TIPO DE GAS				
CATEGORÍA		NO/DK/ES/PT/DE/IE/GB/ BE/FR/IT/LV/SI/SK/EE/ HU/LT	NL/DE	NL/NO/DK/DE/ES/PT/IE/ GB/ BE/FR/LV/SI/EE/HU/ LT/PL/CY/MT/IT
AIRE PRIMARIO		I2H/I2E/I2E+	I2I/I2ELL	I3B/P/I3+
PRESIÓN DE CARGA	mBar	1x Ø8	1x Ø5	3x Ø16
PRESIÓN QUEMADOR ALTA	mBar	20	20/25	30/37
PRESIÓN QUEMADOR BAJA	mBar	11.1	11.6/13.6	28.7/36.6
BOQUILLA DE INYECTOR	Ø MM	3.5	5.2/5.9	14.4/23.4
INYECTOR LLAMA PILOTO	CODE	2.6	2.6	1.3
BOQUILLA MÁS ANCHA	MM	51	51	30
CARGA NOM. MÍN	kW	1.7	1.7	1.3
CARGA NOM. MÁX.	kW	8.8	8.6	8.5/7.4
CONSUMO	m3/h	9.8	9.5	9.1/7.7
RENDIMIENTO NOM.	kW	1.05	1.08	0.26/0.48

Todos los aparatos de la clase 5 NoX

AT	I2H, I3B/P	BE	I2E+, I3+	DK	I2H, I3B/P	DE	I2ELL, I3B/P
FI	I2H, I3B/P	FR	I2E+, I3+	GR	I2H, I3B/P	GB	I2H, I3+
IS	I3B/P	IE	I2H, I3+	IT	I2H, I3+	LU	I2E, I3B/P
NL	I2L, I3B/P	NO	I3B/P	PT	I2H, I3+	ES	I2H, I3+
SE	I2H, I3B/P	CY	I3B/P, I3+	EE	I2H, I3B/P	LT	I2H, I3B/P
LV	I2H, I3B/P	MT	I3B/P	HU	I2H, I3B/P	PL	I3B/P
SI	I2H, I3B/P	SK	I2H	TR	I2H, I3B/P		

Tabla de trayectos concéntricos

Trayecto	Ilustración	X total en metros		Y total en metros		Placa cortatiro 1080
		min*	max*	min*	max*	
Salida de fachada indirecta	A-B	1	3	0	3	
Evacuación por tejado sin desviación	C	2	12			Desde 3 metros
Evacuación por tejado desviación 45° **	D	3	12	0	4	Desde 3 metros
Evacuación por tejado desviación 90° ***	E	1	12	0	2	Desde 3 metros

Codo 45 grados longitud nominal 1 metro

Codo 90 grados longitud nominal 2 metros

* longitud excl. las salidas de techo y de fachada. ¡La longitud inicial tiene siempre que ser de 0.5 metro! NG Aparato

* longitud excl. las salidas de techo y de fachada. ¡La longitud inicial tiene siempre que ser de 1 metro! LPG Aparato

** Relación vertical : horizontal $X + X1 + X2 : Y = 2 : 1$

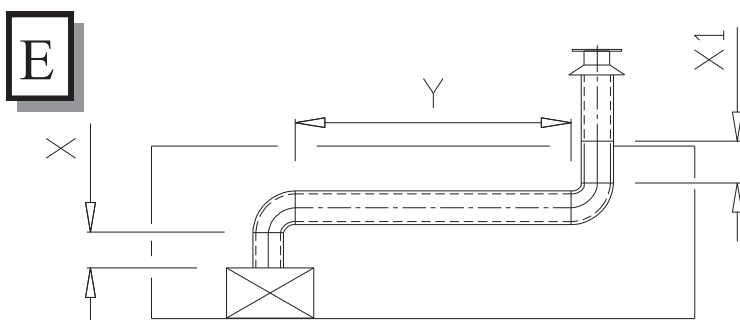
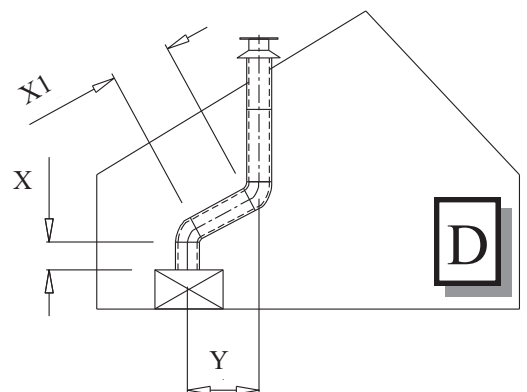
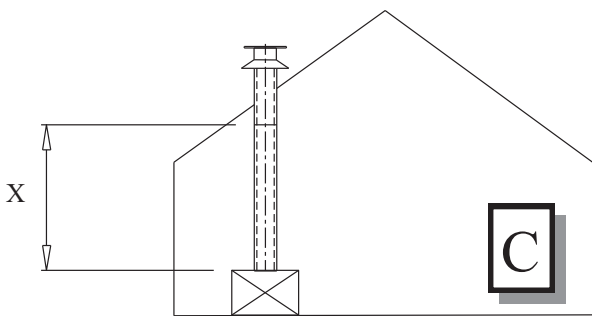
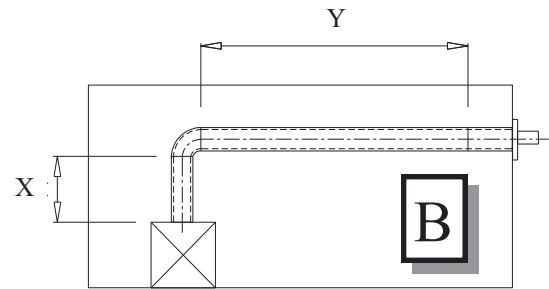
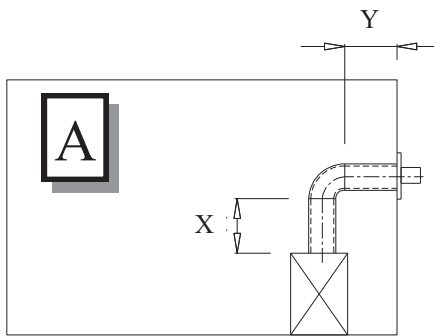
*** Relación vertical : horizontal $X + X1 : Y = 2 : 1$

Instrucción sobre el contratiro

Evacuación por fachada - 1 metro vertical, codo 90 °, máx.3 metros horizontal, sin contratiro.

Evacuación por tejado - 2 hasta 5 metros vertical+ Tejado placa contratiro de 35 mm.

Evacuación por tejado - 5 hasta 12 metros vertical + Tejado placa contratiro de 52 mm.



8. SISTEMA DE CONDUCTO CONCENTRICO CC

El sistema de conducto concéntrico consiste en un tubo interno y uno externo. El arreglo de los tubos entre si es concéntrico; por el tubo interno se evacuan los gases de combustión mientras que por el espacio entre los tubos se administra el aire para la combustión.

8.1 Componentes del sistema de conducto concéntrico.

Gracias al uso del sistema de canales concéntrico, es posible realizar diferentes tipos de conexiones: Por el tejado y por la fachada.

El trayecto de este sistema se puede realizar de varias maneras.

Sin embargo, hay que tener en cuenta un cierto número de condiciones importantes:

- * Longitud total de conducto vertical no puede exceder 12 mt (la suma de las longitudes de partes rectas más longitudes nominales de codos).
- * Codos de 90° tienen longitud nominal de 2 metros .
- * Codos de 45° tienen longitud nominal de 1 metro .
- * Las salidas pueden realizarse en cualquier punto del tejado o de la fachada (alimentación y evacuación sometidas al mismo régimen de presión atmosférica) pero tienen que cumplir con la normativa vigente.
- * Los trayectos del conducto no se deben aislar.

INPORTANTE

- * Asegúrese de que la placa cortatiro sea instalada correctamente según indican estas instrucciones.
- * Con la placa contratiro correctamente instalada, conseguirá niveles óptimos de combustión y rendimiento calórico y una llama regular.
- * La instalación incorrecta de la placa cortatiro puede causar fallos en el funcionamiento del aparato.

8.2 Instalación del sistema de conducto concéntrico CC

Instalación conducto a fachada indirecto

- * La salida se puede realizar también en un punto elevado de la fachada, siempre teniendo en cuenta la normativa nacional, regional y local para evitar posibles molestias a vecinos. Tenga cuidado que la presión del viento no sea extremadamente alta en los puntos de salida, como puede ser en balcones, tejados horizontales, esquinas, callejones estrechos, etc., lo que puede afectar negativamente el rendimiento de su aparato.
- * Haga un agujero circular de 155 mm o de 205 mm en la fachada para el conducto concéntrico de Ø130-200, y. (si la fachada es inflamable el agujero tiene que ser 50 mm más amplio que el tubo externo. Dejar libre alrededor del tubo exterior y cubrirlo con un material no inflamable) e instale el conducto de salida con el collarín por el lado interior del muro. Por el lado exterior el collarín tiene que sellar adecuadamente el cerramiento para que la humedad y gases de combustión no puedan entrar a la vivienda.
- * Si resulta necesario, habrá que recubrir el conducto. En caso de que el conducto se vaya a instalar junto a materiales inflamables se tienen que tomar medidas contra el fuego adecuadas.
- * Decida la ubicación del aparato y de la salida y empiece el montaje del conducto conectando éste al aparato. Fíjese en la dirección de instalación y junte las piezas entre sí con abrazaderas.
- * Entre los codos o en la conexión al aparato se puede utilizar el tubo ajustable de Según sea necesario, utilice abrazaderas de pared para la sujeción del conducto.

Instalación conducto a tejado

- * La salida se puede realizar en cualquier punto del tejado (alimentación y evacuación sometidas al mismo régimen de presión) y tiene que cumplir con la normativa vigente.
- * Para una evacuación a prueba de agua se puede utilizar un collarín plano para la cubierta plana o un collarín de plomo para cubiertas inclinadas. Según sea necesario, se pueden introducir varios codos. El agujero en la cubierta tiene que ser 5 cm más amplio que el conducto por razones de seguridad contra el fuego.
- * Tenga en cuenta las disposiciones vigentes (consulte la normativa nacional, regional y local) sobre medidas contra la propagación del fuego entre las habitaciones. Hay que poner un recubrimiento con material resistente al fuego (por ejemplo 12mm. de fieltro incombustible Promatec). La distancia entre el fieltro y el conducto tiene que ser 25 mm.
- * Decida la ubicación del aparato y de la salida y empiece el montaje del conducto conectando éste al aparato. (siempre primero 1m vertical). Fíjese en la dirección de instalación. El conducto interior tiene que ser instalado de tal manera que se impida que haya condensación en la parte externa del tubo. Junte las piezas entre sí con abrazaderas. Asegúrese de que todas las uniones sean estancas a gas. Entre los codos, o en la conexión al aparato, o si viene al caso, en vez de la salida de tejado, se puede utilizar el tubo ajustable. Utilice 2 abrazaderas de sujeción, por cada planta, para la sujeción del conducto.

8.3 Instrucciones de instalación en conductos de humo existentes.

Reglas generales

Este sistema de evacuación de humo es de clase C91 y su instalación se debe realizar conforme el reglamento nacional y las instrucciones de fabricante indicadas en la documentación y en el manual de instalación. En ellas se indica entre otras cosas que el tamaño de un conducto de humo de mampostería no puede ser inferior a 150 mm circular /cuadrado ni superior a 200 mm y que no puede ser ventilado por rejillas. En caso de conductos de humo de mampostería grandes se puede emplear un tubo flexible de 150 mm circular combinado con otro tubo flexible de 100 mm circular como se indica a continuación. Para otras situaciones, tiene que consultar a su proveedor/fabricante.

8.4 Piezas

Revise todas las piezas por posibles daños antes de empezar la instalación. Para la conversión de un conducto de mampostería a un conducto concéntrico, que se podrá conectar con el sistema de conducto CC, necesitará las siguientes piezas:

Observación: El kit de remodelación/saneamiento contiene las piezas 4, 5, y 7

85 Montaje

- * Pase el tubo flexible (6) por el conducto de mampostería existente (8).
- * Acople la pieza deslizante (5) al extremo inferior del tubo flexible y fíjela con dos tornillos Parker.
- * El extremo inferior de la pieza deslizante, tiene que estar al mismo nivel con el borde inferior del conducto o del techo. Corte el tubo flexible a 100 mm encima del cabezal de chimenea.
- * Fije la placa de montaje (7) al tubo flexible, sujételo con la abrazadera redonda de acero inoxidable, y fije todo con un tornillo Parker.
- * Fije la placa de montaje (7) en el cabezal de chimenea con un kit de silicona, estanqueidad al agua, y tornillos de acero inoxidable.
- * Monte la salida de tejado (9) y fíjela con la abrazadera acompañante (8).
- * Tras el montaje, la pieza deslizante (5) sobresaldrá unos 100 mm por debajo del conducto o techo.
- * Fije la placa de montaje interior (4) a la parte inferior del conducto de mampostería, o en el suelo de betón, con el kit de silicona y tornillos (estanqueidad a gas).
- * Ponga el aparato en el sitio adecuado conforme con las instrucciones del fabricante.
- * Instale min. 1 metro del conducto concéntrico tipo THC CC 100-150 (2), o 130-200 mm. Con terminación 100-150.
- * Extienda el conducto concéntrico con las partes (2) hasta min. 100 mm en el conducto de mampostería.
- * Por último apriete la abrazadera manualmente en la placa de montaje interior (3).

8.6 Limpieza y mantenimiento

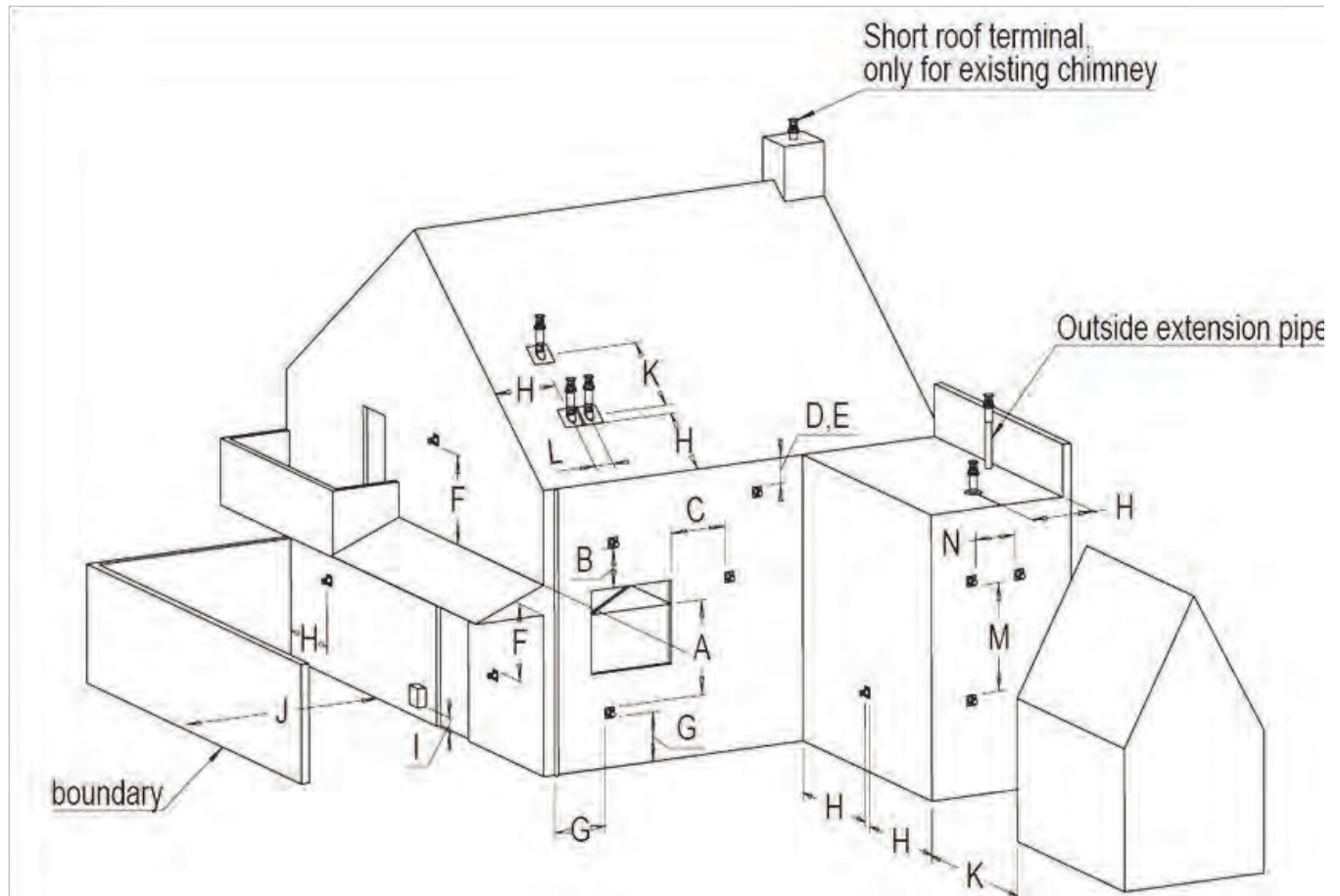
Este aparato debe ser inspeccionado y se le debe realizar mantenimiento por un instalador reconocido, calificado y registrado, por lo menos una vez cada año. La inspección y el mantenimiento deben por lo menos garantizar que el aparato trabaja correctamente y que es seguro. Es recomendable limpiar el polvo y la suciedad del aparato frecuentemente durante la estación de uso, pero especialmente si no ha sido usado por un largo periodo de tiempo. La limpieza se puede realizar con un cepillo y una aspiradora o con un paño húmedo, y en caso de ser necesario, con un limpiador no abrasivo. No use limpiadores agresivos o corrosivos para limpiar el aparato.

El sistema de tubos concéntricos se debe limpiar cada dos años.

Así mismo, realizar los siguientes controles:

1. Estanqueidad de los productos de combustión a gas y del circuito de alimentación de aire.
2. El correcto funcionamiento del bloque regulador de gas y del encendido del quemador.

9. POSICIONES DE EVACUACIÓN Y SU CORRECTO FUNCIONAMIENTO



Posición	Posición terminal	Distancia mm
A	Distancia hasta la abertura de ventilación	local
B	Distancia hasta la abertura de ventilación	local
C	Distancia hasta la abertura de ventilación	local
D	Bajo la tubería de desagüe de un canalón, o conducto de salida	500
E	Bajo un alero	500
F	Bajo una cochera, tejado o balcón con esquina interior y exterior	500
G	Desde una tubería de desagüe vertical o conducto de salida	300
H	En el interior o exterior de una esquina	500
I	Sobre un regulador de presión de gas externo	1000
	Al lado de un regulador de presión de gas	500
J	Desde una superficie/delimitación con abrazadera	local
K	Al frente de un salida mural de humos	1000
L	Desde el centro de dos salida de humos en el tejado	450
M	Dos salidas de humo en la pared, una sobre otra	1000
N	Dos salidas de humo en la pared, una al lado de la otra	1000

De acuerdo con las normativas locales.

10. LISTA DE POSIBLES FALLOS / SELUCIONES MERTIK GV60

ACCIÓN	POSIBLE PROBLEMA/CAUSA	SOLUCIÓN		
1. Opción: Interruptor ENCENDIDO: Presione el botón ON. Interruptor de pared funciona.	NO →	Puntas del interruptor arqueadas, o cable roto/defectuoso	Enderezar las puntas, cambiar el cable o el interruptor.	
1. Mando a distancia ENCENDIDO: Presione el botón para iniciar el proceso de encendido. Escucha: 2 cortos "BIP"	NO →	Pilas del mando al distancia en mal estado	Reemplace las pilas, 2x AAA 1.5V de iCalidad alcalina!	
		Pilas del receptor en mal estado	Reemplace las pilas, 4x 1,5V AA iCalidad alcalina!	
		Adaptador de corriente opcional no funciona.	Revise el adaptador de corriente.	
		Controlar el código del mando a distancia/ receptor.	Sincronizar de nuevo el código, ver instrucciones y etiqueta en el receptor.	
		El alcance del mando a distancia/receptor es limitado.	1. Mover la antena del cable. Ver instrucción. 2. Cambiar el receptor.	
		Interruptor /cables no funcionan	Cambiar el interruptor de pared/cables.	
		Fusible del receptor defectuoso (solo en anteriores modelos)	Cambiar el receptor.	
SI ↓				
2. Unidad magnética en bloque de gas se ha activado (escucha un "clic")	NO →	Ninguna señal	Unidad magnética en el bloque de gas no funciona.	Reemplace el bloque de gas completo
	NO →	3 cortas señales de "BIP"	Reemplace las pilas defectuosas.	Reemplace las pilas 4x 1,5V AA iCalidad alcalina!
	NO →	1 señal larga.	Interruptor ON/OFF en el bloque de gas en posición OFF	Poner interruptor en posición ON.
			Cable de 8 polos entre el receptor y el bloque de gas defectuoso/no hace contacto	Controlar el cable especialmente el enchufe.
			Interruptor del cable defectu	Controlar el interruptor del cable.
SI ↓				
		El motor no funciona adecuadamente	Reemplace el bloque de gas completo	
		Microswitch del bloque de gas no funciona adecuadamente.	Reemplace el bloque de gas completo	
		Interruptor termopar no está bien conectado o enroscado.	Cambiar el interruptor termopar	

3.	<div style="border: 1px solid black; padding: 5px; min-height: 100px;"> <p>Chispea continuamente</p> </div>	NO →	Los componentes para el encendido no funcionan	<p>Controlar que el cable de encendido entre el receptor y el electrodo de chispa estén bien conectados</p> <p>Controlar la distancia entre el electrodo y la llama piloto.</p> <p>Controlar que el electrodo no este haciendo contacto con partículas metálicas (componente cerámico partido)</p> <p>Controlar que el electrodo no esté quebrado</p> <p>Controlar que el cable de encendido esté libre de partes metálicas. Controlar que el lugar de conexión del electrodo con el cable no esté haciendo masa. Recorte el cable si es posible. Eventualmente puede recubrir el cable con silicona o algún otro material aislante.</p>	
		<div style="border: 1px solid black; padding: 5px; min-height: 100px;"> <p>Una chispa cada pocos segundos</p> </div>	NO →	Se ha interrumpido el proceso de encendido, no hay llama piloto. El receptor NO responde al mando a distancia.	<p>Presione el botón RESET. Ver instrucciones.</p> <p>Conecte un cable adicional entre el quemador de la llama piloto y el bloque regulador de gas.</p> <p>No enrolle el cable de encendido.</p> <p>Recorte el cable de encendido si es posible</p>
			NO →	Se ha interrumpido el proceso de encendido, no hay llama piloto. El receptor responde al mando a distancia.	Reemplace las baterías en el receptor, 1,5V AA ¡Calidad alcalina!
4.	<div style="border: 1px solid black; padding: 5px; min-height: 100px;"> <p>la llama piloto encendida</p> </div>	NO →	TC- SW cables cambiados	Controlar las conexiones en los tomas del receptor en interruptor. Ver fig. 1	
			Unidad magnética del bloque de gas no funciona	Reemplace el bloque regulador de gas completo.	
			Corto entre el interruptor y cable SW	Controlar la conexión al interruptor	
			No hay gas. (Unidad magnética se apaga después de escuchar la señal 30 seg.)	Controlar la entrada de gas al bloque regulador de gas.	
5.	<div style="border: 1px solid black; padding: 5px; min-height: 100px;"> <p>No hay mas chispa después de que la llama piloto se enciende.</p> </div>	NO →	Corto entre el interruptor y el cable TC	Controlar la conexión con el interruptor, ver fig. 1	
			Amplificador electrónico defectuoso	Cambie el receptor	

6. Motor gira a la posición principal de encendido y la llama piloto permanece encendida.

NO →
Unidad magnética se apaga (se escucha un "clic")

NO →

SI
↓

Alta resistencia en el termopar.	Controlar cables, conexiones y termopar.
Termopar no se calienta lo suficiente.	Controlar si la llama piloto toca el termopar. Ajuste la llama piloto si es necesario.
Corriente en el termopar débil.	Controle las conexiones y si es necesario reemplace el termopar. ¡No esfuerce las conexiones!
Corto producido por daño en la punta del termopar.	Reemplace el termopar. ¡No esfuerce las conexiones!

Proceso de encendido se detiene. El receptor no responde al mando a distancia. (el receptor no reacciona)	Presione el botón RESET. Ver instrucciones.
	Conecte un cable adicional entre el quemador de la llama piloto y el bloque regulador de gas.
	No enrolle el cable de encendido.
	Recorte el cable de encendido si es posible.

7. Quemador se enciende

NO →

SI
↓

Ubique manualmente el botón del bloque regulador de gas en posición MAN.	Gire el botón a la posición ON.
--	---------------------------------

8. Quemador permanece encendido.

NO →

SI
↓

Le llega mucha/poca ventilación a la llama piloto, se apaga/se ahoga	Controlar si la placa contratiro está bien colocada. Ver instrucción. Ductos mal posicionados: controlar el trayecto del ducto y sus conexiones.
--	--

9. Unidad magnética se apaga mientras que el motor sigue funcionando 3 veces "pip"

NO →

Las pilas del receptor están en mal estado	Reemplace las pilas, 4x 1,5V AA. ¡Calidad alcalina!
--	---

El sistema se puede apagar desde el mando a distancia

NO El sistema se puede apagar usando los interruptores ON/OFF

SI
↓
OK

SI
↓
OK

Corto entre TC y el cable SW.	Controlar las conexiones al interruptor.
-------------------------------	--

Cambie el bloque regulador de gas.

MONTAGEANLEITUNGEN

Trimline sortiment

1080
Trimline 2050 OH

BELGIE-BE

DEUTSCHLAND-DE

INHALTSVERZEICHNIS

1. INSTALLATIONSANLEITUNG	Pag. 3
1.1 Allgemeinen Bestimmungen	
2. EINHEIT MONTAGE	Pag. 4
2.1 Montage der Gasrohre	
2.2 Vorbereitung und Montage	
2.3 Installatie Gasregelung GV60.	
3. MONTAGE DES KERAMISCH HOLZ UND OPTIONALE KIESELSET	Pag. 5
3.1 Montage des keramischen Holz set	
3.2 Montage der Kieselset Optional	
4. TECHNISCHE SPEZFIKATIONEN GV60	Pag. 6
5. ANLEITUNGEN FÜR MERTIK MAXITROL GV60	Pag. 7
6. GAS TECHNISCHE SPEZFIKATIONEN	Pag. 8
7. KONZENTRISCHE STRECKE	Pag. 9
8. KONZENTRISCHES KANALSYSTEM	Pag. 10
8.1 Komponenten der Konzentrisches Kanal System	
8.2 Konstruktion des konzentrischen Kanal System	
8.3 Montage des existierenden Rauchkanal.	
8.4 Teile	
8.5 Montage	
8.6 Reinigung und Wartung	
9. POSITIONEN UND FUNKTIONEN	Pag. 12
10. MERTIK GV60 PROBLEMLÖSUNG	Pag. 13
APPENDIX 1 ZEICHNUNGEN	
APPENDIX 2 EINBAUBEISPIEL	
APPENDIX 3 ANWENDUNGSBEISPIELE VON SCHORNSTEINABZÜGEN	
APPENDIX 4 VORBEREITUNG UND INSTALLATION	
APPENDIX 5 VORBEREITUNG GV60 EINBAUW	
APPENDIX 6 MONTAGE DES KERAMISCH HOLZ-SET	
APPENDIX 7 MONTAGE DER OPTIONALE KIESELSET	

1. INSTALLATIONSANLEITUNG

ACHTUNG

Die Installation sollte nur von einer autorisierten Person durchgeführt werden.

1.1 Allgemeinen Bestimmungen

- * Installation des Kamins soll in Übereinstimmung mit Nationalen und Internationalen Standards und Normen sein als geschlossene Einheit von einem qualifizierten Installateur.
- * Das Röhrsystem durch die Wand oder durch das Dach soll auch in Übereinstimmung mit den Forderungen der geltenden Vorschriften montiert werden.
- * Die Temperatur der Wände und Regale in der Nähe der Seite und Rückseite der Gerät Würde die Umgebungstemperatur um nicht mehr als 80 ° C übersteigen.
- * Das Gerät, in Kombination mit der konzentrischen Kanalsystem THC CC Ø100 / Ø150 mm gemäß der europäischen CE-Norm für Gasgeräte und kann daher nur mit diesem System verwendet werden.
- * Ein Fachmann soll den Kamin und die Gasleitungen kontrollieren (Gas type und Gasdruck), so dass auf dem Etikett angegeben.
- * Die Anleitungen sind nur geltend, wenn die Bezeichnung des Lands auf dem Paket mit dem Kamin ist. Es wird empfohlen den relevanten Bestimmungen zu kontrollieren. Eventuelle Modifikationen kann beim Produzent gemacht werden.
- * Es gibt Luft in den Gasleitungen, und deshalb müssen Sie erst die Leitungen entlüften.
- * Schalten Sie den Kamin ein gemäß Betriebsanleitung und prüfen, ob die Brennerflamme gleichmäßig ist. Nach dem ersten Brennen, müssen Sie den Verschmutzung auf die Glasscheibe möglicherweise als Folge der qualmen des Gerätes, zu entfernen mit einem Glasreiniger für Heizungen.

Abstand der brennbaren Materialien:

- * Es wird empfohlen das einen Abstand von 1200 mm zwischen das Gerät von vorne, seitlich und oben sicher sind, relativ zu Gardinen, Teppichen, Polstermöbeln und anderen brennbaren Materialien, es sei denn erklärten sonst in diesen Anweisungen.

Abstand der nicht brennbaren Materialien:

- * Es wird empfohlen einen Abstand von Minimum 25 mm zwischen dem Kamin und der Wand zu haben.



WARNUNG

Sie dürfen nur das Gerät in nicht brennbaren Materialien einbauen. Sie dürfen auch nur nicht Brennbare Materialien in der Nähe von dem Kamin verwenden.

Gasherde sind heiß, wenn sie in Betrieb sind. Nach der Installation der Einrichtung wird die Glasoberfläche als eine aktive Zone betrachtet. Die Glasoberfläche kann sehr heiß sein.!

Achtung! Dementsprechend ist Vorsicht geboten und beispielsweise Kinder und pflegebedürftige Personen weg von Kaminöfen genommen werden

Auch Gasherde sollten sich nicht auf oder gegen nicht feuerfesten Materialien (Vorhänge etc.) platziert werden.

Stellen Sie das Gerät nie gegen eine nicht feuerfeste Wand!

ACHTUNG

Baumaterial für Kamine und Mänteln usw. oder für eine Baugruppe muss aus nicht brennbarem Material bestehen. Dies gilt auch für Böden und Decken. Verwenden Sie niemals brennbaren Materialien in der Nähe der Einheit, in Übereinstimmung mit den oben genannten Anforderungen.

Bitte kontaktieren Sie Ihren Lieferanten, wenn Sie unsicher sind.

2. EINHEIT MONTAGE

ACHTUNG

Sie sollen vor Montierung des Kamins Kapitel 7 "Konzentrisches Kanal System" lesen.

2.1 Montage der Gasrohre

Je nach Konfiguration können Sie bestimmen wo die Gasleitungen platziert wird. Beachten Sie, dass Anschluss der Steuergeräte nicht gedreht, und dass es keine übermäßigen Spannungen auftritt. Zugänglichkeit der verschiedenen Anschlusspunkten muss in Bezug auf Komponenten gewährleistet werden. Nach dem Anschluss, überprüfen Sie die Anschlüsse auf Gasdichtigkeit. Verwenden Sie in der Stellen Sie sicher, dass das Gasleitung frei ist von Schmutz oder Sand, und Gas und Verbrennungsprodukte der verschiedenen Komponenten und Funktionen korrekt funktionieren. Der Gasanschluss muss spannungsfrei sein. Dies dient dazu, eine Beschädigung des Gassteuergeräte zu verhindern.

2.2 Vorbereitung und Installation (siehe APPENDIX 5)

- * Die Einpackung entfernen und den Gerät kontrollieren.
- * ACHTUNG ! Den Gerät soll auf einer ebenen Oberfläche platziert werden.
- * Bitte, nicht den Kamin auf den Seiten platzieren.
- * Das Fenster herausnehmen mit der mitgelieferten Saugnapf (n) um die Teile aus dem Kamin zu nehmen.
- * Entfernen Sie die Zierrahmen auf der Unterseite der Glasscheibe.
- * Lösen Sie die Schrauben an der oberen und unteren Glashalter (2).
- * Mit dem mitgelieferten Saugnapf (n) in die Mitte der Glasscheibe zu platzieren ist die Glasscheibe einfach aus dem Gerät zu nehmen, indem Sie diese zuerst vorsichtig nach oben und dann die Unterkante der Glasscheibe sehr vorsichtig und langsam um, um Ihnen, bezeichnet dann das Fenster in einem sicheren Stelle wo das Glas nicht brechen oder Schaden kann. (3).
- * Dann die Komponenten herausnehmen und kontrollieren Sie Diese auf Beschädigung oder Bruch.
- * Stellen Sie das Gerät an die von Ihnen angegebene Einbausituation (siehe APPENDIX 2 Einbaubeispiele). Das Gerät muss direkt an der Rückseite an der Wand befestigt werden . (Befestigungsmaterial nicht mitgeliefert) (4).
- * Die Beine das Gerät kann höher oder niedriger für die grobe Einstellung. (280 Min Max 460). (5)
- * Die verstellbaren Beine erlauben, das Gerät verfeinert einzustellen.
- * Baue Sie den Mertik Steuerkasten in durch ihnen bestimmten Einbausituation nach der Gasventil GV60 montiert ist, siehe 2.3. Der Abstand zwischen der Steuereinheit und das Gerät wird durch die Kabellängen bestimmt, von Steuereinheit zum Pilotbrenner und Gasblocks etc. Das Max ist. 1500 mm.
- * Positionieren Sie den gelieferten Ausblasgitter mindestens 50 cm unterhalb der Decke an der Wand in. siehe APPENDIX 2 Einbaubeispiele. Falls notwendig, eine abgehängte Decke aus nicht brennbarem Material im die ganze Folge In einer Sichtbehinderung Situation.

ACHTUNG

Konvektionstemperatur kann mehr als 100 °C bei dem Ausblasgitter sein. Vorsicht ist daher geboten.

2.3 Vorbereitung GV60 Einbau (siehe APPENDIX .65)

Die komplette Steuereinheit ist unter der Gerät ausgestattet. Die Gasventil einschließlich der Brennersteuerung muss vom Installateur in der Steuereinheit installiert wurden.

Im Folgenden Verfahren Schritt für Schritt:

- * Sobald die Glasscheibe entfernt worden ist, können die Teile aus dem Gerät entfernt werden. legen Sie die gesamte Einheit auf die Rückseite (1). Sie können die Holzpalette verwenden um das Gerät zu unterstützen.
- * Entfernen Sie die 2 Kabelbindern die der Leitungen und Kabeln etc zusammen halten (2).
- * Entfernen Sie die Schraube der Gasventil Halterung. (3) Bewegen sie der Elementen ganz vorsichtig nach der Seite des Gerät, von wo Sie der Steuereinheit Aufbauen will.
- * Legen Sie das Gasventil in die richtige Position auf der Rückseite der Gas Kasette.
- * Montieren Sie das Gasventil Halterung einschließlich im Steuerkasten, und sichern Sie sie mit den beiden Flügelmuttern an der gezeigten Position.
- * Schieben Sie den Empfänger mit der Halterung in der Steuerkasten und setzen Sie auf, wie gezeigt.
- * Setzen Sie den gesamte Gaspatrone in das Gehäuse des Feuers. Halten Sie die maximale Entfernung zwischen Gas und Gaskasette durch die begrenzte Länge des Thermoelements usw.
- * Achten Sie darauf, das sie die Rohre, Zündkabel und Thermoelement ohne Spannungen und scharfe Wendungen montiert, das sollte unter allen Umständen vermieden werden. Stellen Sie sicher, das die Zündkerzenkabel frei ist von Metallteilen.

3. MONTAGE DES KERAMISCH HOLZ UND OPTIONALE KIESELSET

3.1 Montage des keramische Holz set (siehe APPENDIX 6)

- * Das Material gleichmäßig über den Brenner (1Schicht) und der Brennerplatte auftragen ,damit sie gerade abgedeckt ist .Vergewissern Sie sich , das die Zündflamme ungehindert bleibt
- * Legen Sie die keramischen Holzscheite sorgfältig auf wie im APPENDIX 6 dargestellt.
- * Legen Sie die Holzscheite in der richtigen Reihenfolge auf .Eine falsche Platzierung kann zu Störungen im Verbrennungsprozess (Ruß) führen.
- * Bevor Sie die Scheibe wieder einbauen ,stellen Sie sicher , das eine Drosselscheibe event. vorhanden sein Muss. **Siehe Kapitel 7 " Konzentrisches Abgasrohr "**
- * Wenn eine Einschränkung für Ihre Schornstein Situation erforderlich ist ,entfernen Sie die Prallplatte ,indem Sie diese abschrauben. Bewegen Sie die Platte nach hinten und dann nach unten heraus. Die Drosselscheibe Mit zwei Schrauben befestigen und die Prallplatte wieder montieren (siehe auch APPENDIX 4)
- * Montieren Sie nun die Scheibe in umgekehrter Reihenfolge , wie im Kapitel "Geräte" im APPENDIX 4 beschrieben .

3.2 Montage des Optionalen Kieselset .(Siehe APPENDIX 7)

- * Streuen Sie das Vermiculit gleichmäßig über den Brenner. Vergewissern Sie sich die Zündflamme ungehindert bleibt .
- * Legen Sie eine Reihe von Großen und Mittelgroßen Kieselsteinen an die Vorderseite der Brennerplatte
- * Füllen Sie den Brennraum mit kleinen und Mittelgroßen Steinen von vorne nach hinten. Legen Sie die Kieselsteine so eng wie möglich im brennraum aus .
- * Füllen Sie den hinteren Brennraum mit Mittelgroßen und großen Kieselsteinen auf
- * Bevor Sie die Scheibe wieder einbauen stellen Sie sicher , das eine Drosselscheibe event. vorhanden sein muss
- * Wenn eine Einschränkung für Ihre Schornsteinsituation erforderlich ist entfernen Sie die Prallplatte ,indem Sie diese abschrauben, bewegen Sie die Platte nach hinten und dann nach unten heraus. Die Drosselscheibe Mit zwei Schrauben befestigen und die Prallplatte wieder montieren (siehe auch APPENDIX 4)
- * Montieren Sie nun die Scheibe in umgekehrter Reihenfolge wie im Kapitel "geräte" im APPENDIX 4 Beschrieben .

Hinweis:

Bei der Montage des Holz und Steine Set und der verschiedenen glühenden Materialien und Zubehörs ist folgenden zu beachten .

A: Kein glühendes Material in oder an der Zündflamme

B: das kein keramisches Material auf der Scheiben Dichtung liegt .Dieses bei Bedarf entfernen . Die Scheibe kann beschädigt werden .

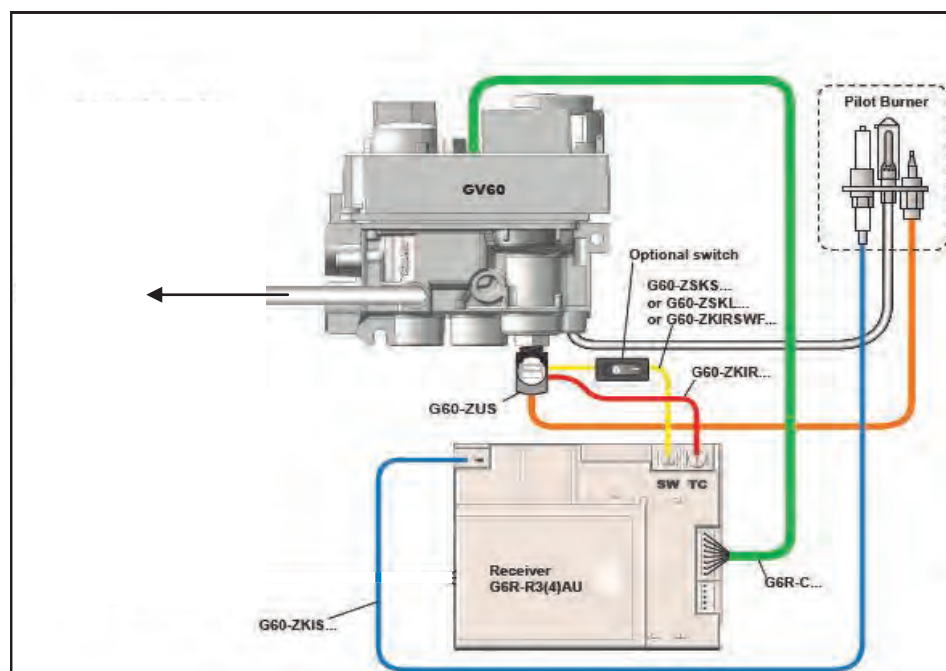
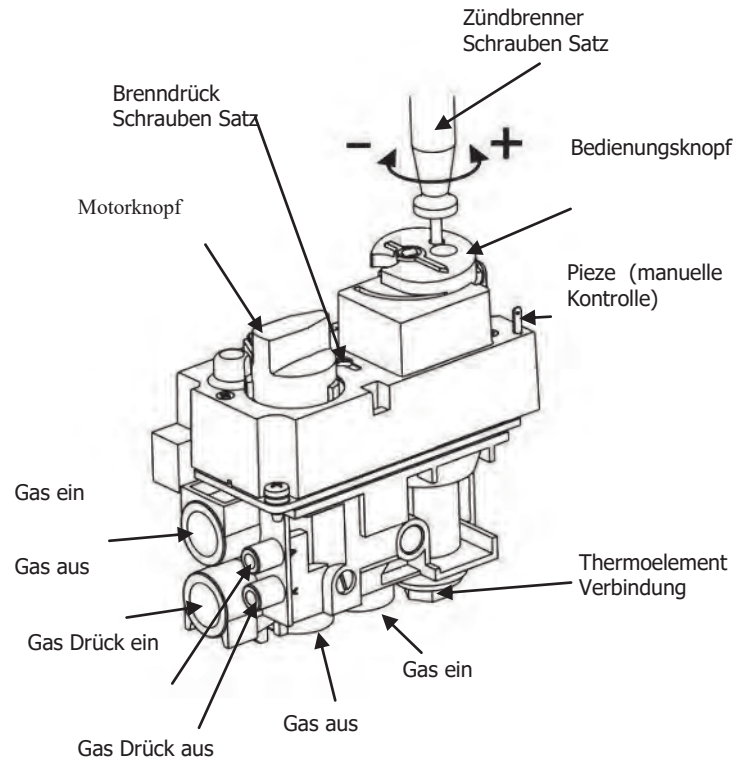
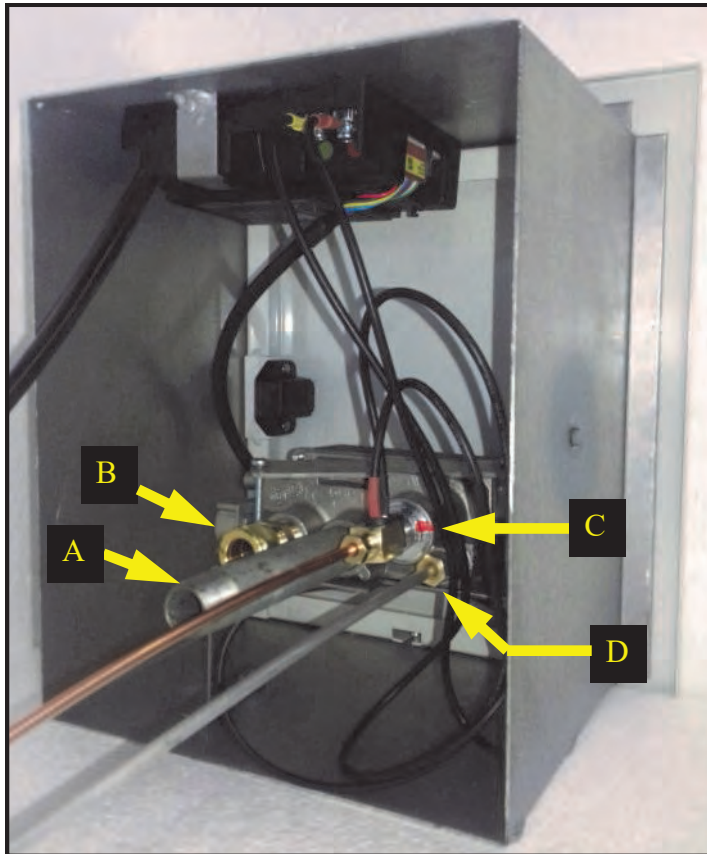
C: *Die Öffnung zwischen Brenner und Dekoplatte muss frei von glühendem Material gehalten werden Zuviel*

Hinweis

Stellen Sie sicher ,das die Pilotflamme nicht von anderen Materialien abgedeckt wird.

4. TECHNISCHE SPEZIFIKATIONEN GV60

Gassteuerung	: Mertik GV60
Empfänger Type	: B6R R8U
Feuer anzünden	: Fernbedienung und Pieze
Gasinstallation	: 3/8" (EXTERN) A =Gas ein B =Gas aus C =Thermoelement Verbindung D =Zündbrenner Anschluss
Einheit Kategorie	: C11-C31-C91
Zündflamme	: SIT 3 Flammen
Gasverbrennung und Luftzufuhr der Verbrennung	: Konzentrisch: Ø100/150mm



ACHTUNG

VERSIEGELTE TEILE KANN NICHT EINGESTELLT WERDEN.

5. ANLEITUNGEN FÜR MERTIK MAXITROL GV60

Bitte, kontrollieren Sie, ob die Brennmaterialien in Ordnung und ohne Staubpartikeln oder Feuchtigkeit sind. Vorher Sie den Gasrohr (neu oder existierender) mit dem Hauptgasrohr und mit dem Gerät der Gaskontrolle montieren, müssen Sie frische Luft in dem Rohr blasen. Röhre aus Kupfer und aus Aluminium müssen auch ohne Partikeln sein, vorher diese montiert werden. Die Staubfilter des Geräts der Gaskontrolle kann nur den groben Staub von dem System filtrieren. Feine Partikeln können in das System kommen, und damit die Regulation des Geräts der Gaskontrolle beschädigen.

Wärme und Feuchtigkeit sind Drohungen der elektronischen Komponenten.

Das elektronische Gerät der Gaskontrolle soll mit z. B. Plastik beschützt sein, bis alle Konstruktionen und Montierungen komplett sind.

⚠️ WARNUNG

Elektronische Komponente vertragen nicht Temperaturen höher als 60°C. Standard AA Batterien vertragen nicht Temperaturen höher als >54°C, und der Inhalt der Batterien beschädigt die elektronische Kontakten. Die Haltbarkeit der Batterien ist optimal bei <25°C. Bei >50°C ist die Haltbarkeit ungefähr 23 Wochen. Damit werden die Kosten des Gaskamins sehr teuer.

Das Gerät der Gaskontrolle und den Empfänger dürfen nur, wie in der Montageanleitung illustriert, montiert werden. Erinnern sie daran, dass zu einem späteren Zeitpunkt Komponenten Ersetzt oder Müssen wurden repariert Die Platzierung der Steuereinheit in einer von der durch unsere Methode nicht vorgeschriebenen Weise kann dies erschweren.

Nur die Batterien einsetzen, nachher Sie den Empfänger, das Gerät der Gaskontrolle und die Zündflamme montiert haben. Vorzeitige Verbindung zur Energiequelle kann die Elektronik beschädigen.

Der Zündkabel darf nicht in der Nähe von der Antenne Leitung sein. Sie dürfen auch nicht Einander kreuzen. Das Volt der Zündung wird den sensitiven Kreislauf des Empfängers beschädigen. Es ist möglich, dass das Gerät weniger reagiert oder nicht reagiert auf Befehle von der Fernbedienung.

ACHTUNG

Sie dürfen nicht den Kontakt und das Thermoelement auf dem Gerät der Gaskontrolle zu eng drehen! Es ist genug ein bisschen mit Hand zu drehen, und dann mit Schraubenschlüssel zu drehen. Falls Sie zu viel drehen, wird die Verbindung mit der Magnetischen Spule oder die Isolierung bei dem Kontakt zerstört. Die magnetische Spule kann denn nicht das Gas öffnen, und damit ist es nicht möglich Feuer zu anzünden.

Erweitern Sie das nur mit dem Original-Erweiterungssatz geliefert Thermoelement. (erhältlich bei Ihrem Lieferanten)

Das Thermoelement darf nicht geändert werden.

Das Volt wird dann reduziert, und die Magnetische Spule wird nicht aktiviert.

Vermeiden Sie Leckage des Zündfunkens zu anderen Teile der Anlage dann nur das Zündstift in der Pilot

Halten Sie das Zündkabel frei von Rumpf oder andere Metallteile. Wenn Kabelverlängerung ist Angewandte siehe sicherzustellen, dass Verbindungen sind zusätzlich mit Silikonkabeldurchführung isoliert.

Der Empfänger und die Kontrollgeräte sollen eingeschaltet sein, um automatische Funktion des Geräts der Gaskontrolle durch den manuellen Sender zu sichern.

Der ovale Kreis auf dem Gerät der Gaskontrolle soll in der ON Position sein. Der **I/O** Kontakt soll auf **I** sein. Sie sollen das Zündkabel mit dem **SPARK** Punkt auf dem Empfänger montieren.

Der Thermostatsensor des Systems ist in dem manuellen Sender.

Der manuelle Sender funktioniert optimal in einem Abstand von 2 oder 3 Metern von dem Kamin.

Falls es Kommunikationsfehlern gibt, wird es empfohlen, den Sender auf einer anderen stelle zu platzieren. Bitte, nicht den manuellen Sender direkt in der Sonne oder auf anderen warmen Stellen platzieren. Sie können mit dem Thermostat die Temperatur und die Größe der Flamme regulieren.

Entfernen Sie die Batterien nur mit dem roten Farbband, die unter der Batterie sitzt, nicht mit Metallwerkzeuge.

Falls die elektronische Kontrolle Kontakt mit Metall hat, wird diese beschädigt.

ACHTUNG

VERSIEGELTE TEILE KANN NICHT EINGESTELLT WERDEN.

6. GAS TECHNISCHE SPEZIFIKATIONEN

		1080		
GASTYPE		G20	G25	G30/31
LAND		NO/DK/ES/PT/DE/IE/GB/BE/ FR/IT/LV/SI/SK/EE/ HU/LT	NL/DE	NL/NO/DK/DE/ES/PT/IE/GB/ BE/FR/LV/SI/EE/HU/LT/PL/ CY/MT/IT
KATEGORIE		I2H/I2E/I2E+	I2/I2ELL	I3B/P/I3+
PRIMÄR LUFT		1x Ø8	1x Ø5	3x Ø16
LEITUNGSDRUCK	mBar	20	20/25	30/37
BRENNERDRUCK HOCH	mBar	11.1	11.6/13.6	28.7/36.6
BRENNERDRUCK NIEDRIG	mBar	3.5	5.2/5.9	14.4/23.4
ZUNDFLAM. BOHRUNG	Ø MM	2.6	2.6	1.3
ZUNDFLAM. EINSPRITZSTÜK	CODE	51	51	30
BOHRUNG NIEDRIG	MM	1.7	1.7	1.3
BELASTUNG Hs	kW	8.8	8.6	8.5/7.4
BELASTUNG Hi	kW	9.8	9.5	9.1/7.7
VERBRAUCH	m3/h	1.05	1.08	0.26/0.48
NOM. BELASTUNG	kW	7.3	7.1	6.85/5.78

Alle Geräte NoX Klasse 5

AT	I2H, I3B/P	BE	I2E+, I3+	DK	I2H, I3B/P	DE	I2ELL, I3B/P
FI	I2H, I3B/P	FR	I2E+, I3+	GR	I2H, I3B/P	GB	I2H, I3+
IS	I3B/P	IE	I2H, I3+	IT	I2H, I3+	LU	I2E, I3B/P
NL	I2L, I3B/P	NO	I3B/P	PT	I2H, I3+	ES	I2H, I3+
SE	I2H, I3B/P	CY	I3B/P, I3+	EE	I2H, I3B/P	LT	I2H, I3B/P
LV	I2H, I3B/P	MT	I3B/P	HU	I2H, I3B/P	PL	I3B/P
SI	I2H, I3B/P	SK	I2H	TR	I2H, I3B/P		

7. KONZENTRISCHEN STRECKE

Tabelle der konzentrischen Strecke

Versatz	Illustration	X total in Meter		Y total in Meter		Restriktion
		min*	max*	min*	max*	
						1080
Indirekt Mauerdurchführung	A-B	1	3	0	3	
Dachdurchführung ohne Versatz *	C	2	12			von X total - Y > 3 Meter
Dachdurchführung mit 45° Versatz**	D	3	12	0	4	von X total - Y > 3 Meter
Dachdurchführung mit 90° Versatz***	E	1	12	0	2	von X + X1 - Y > 3 Meter

45° Bogen: Kalkulationslänge 1 Meter

90° Bogen: Kalkulationslänge 2 Meter

* Dies sind die grundlegenden empfohlene Längen und Layouts. Wenn abgewichen Layout oder Längen auftreten wenden

Sie sich bitte an Ihren Lieferanten für weitere Ratschläge.

** Vertikal: horizontal Ratio $X + X1 + X2 : Y \geq 2 : 1$

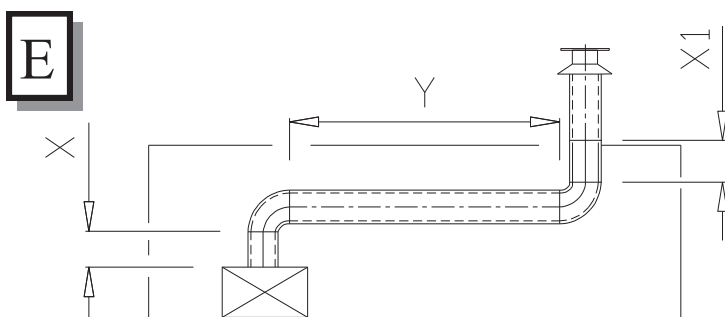
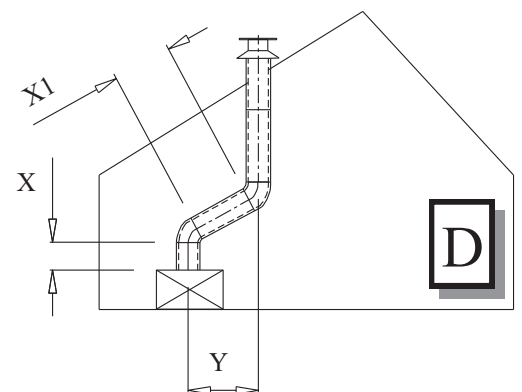
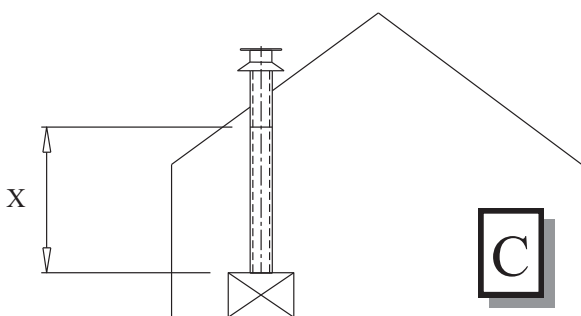
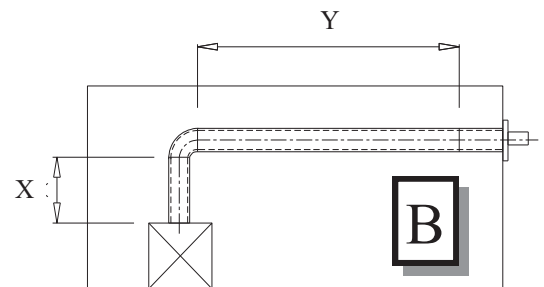
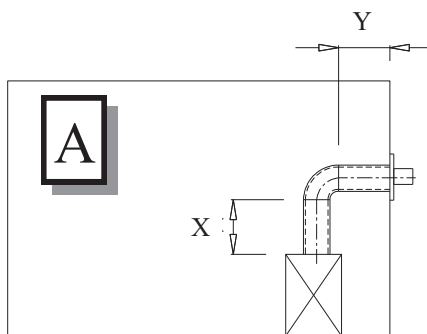
*** Vertikal: horizontal Ratio $X + X1 : Y \geq 2 : 1$

Restriction Bestimmung:

Mauerdurchführung - 1 Meter vertikal, 90° -Bogen, max.3 Meter horizontal, Mauerdurchführung keine Beschränkung

Dachdurchführung - 2 bis 5 Meter vertikal. Dachdeckelbegrenzungsplatte von 35 mm

Dachdurchführung- 5 bis 12 Meter vertikal + Dachdurchgang Beschränkungsplatte 52 mm Stellen



8. KONZENTRISCHES KANALSYSTEM

Das konzentrische Fuchssystem besteht aus ein Rohr innen konzentrisch mit einem Rohr draußen. Diese Kanal Systeme sind konzentrisch aufgestellt. Das Abgas wird durch den Kanal innen transportiert. Die frische Luft wird zwischen dem Kanal innen und draußen transportiert.

8.1 Komponenten der Konzentrisches Kanal System.

Es gibt verschiedene Möglichkeiten mit diesem konzentrischen Kanal System :

Durch das Dach und durch die Wand.

Der Bereich dieses Systems ist es, in unterschiedlicher Weise zu platzieren.

Es ist aber wichtig folgende Bedingungen zu kennen:

- * Die Maximale zulässige vertikale Länge des Kanal ist 12 Meter.
(Total der Länge des Rohr und die Kalkulationslänge der Versatz)
- * 90° Versatz hat 2-Meter horizontale Kalkulationslänge.
- * 45° Versatz hat 1-Meter horizontale Kalkulationslänge.
- * Das konzentrischen Kanal System soll immer in Übereinstimmung mit den Forderungen der geltenden Vorschriften sein.
- * Kanäle dürfen nicht isoliert werden.

ACHTUNG

- * **Die Drosselplatte soll korrekt, wie in den Montageanleitungen illustriert, montiert sein.**
- * **Die korrekte Drosselplatte gibt Ihnen einen optimalen Gewinn des Kamins.**
- * **Eine falsch gestellte Drosselplatte darf das gut Funktionieren beeinflussen.**

8.2 Konstruktion des konzentrischen Kanal System

Indirekte Mauerdurchführung

- * Das konzentrischen Kanal System kann auch in der Wand montiert werden. Die Installation soll aber auch in Übereinstimmung mit den Forderungen der geltenden Vorschriften sein. Wind drück auf dem konzentrischen Kanal System darf nicht extrem sein.
- * Sie müssen eine 155 mm Bohrung für ein konzentrisches System von 100-150 Falls die Wand aus brennbaren Materialien ist, wird es notwendig noch 50 mm Platz zu haben. Den Wandkanal an der Wandplatte auf der inneren Seite montieren. Die Abdichtung der Wandplatte draußen soll extrem dicht sein, so daß Gas und Flüssigkeiten nicht hineinkommen
- * Wenn das konzentrischen Kanal System in der Nähe von brennbaren Materialien montiert wird, ist es notwendig noch einige Sicherheitsmaßnahmen zu unternehmen.
- * Bei der Installation des Kamins, ist es vorher notwendig die Position des Kamins und des konzentrischen Kanal System zu bestimmen. Man soll die Montageanleitungen folgen und die Elemente mit Befestigung band verbinden.
- * Sie können auch einen Längen Ausgleichs Element zwischen den Versatz verwenden. Falls es notwendig ist auch Beschläge für den Längen Ausgleichs Element verwenden.

Installation Dachdurchführung

- * Sie können das konzentrischen Kanal Terminal für den Kanal, immer wo Sie wünschen, auf der Oberfläche des Dachs platzieren. Die Montierung soll aber in Übereinstimmung mit den Forderungen der geltenden Vorschriften sein.
- * Sie können eine Dachplatte für das Dach, das eben ist, aber auch für das Dach mit Versatz und mit Dachpfannen bekommen. Es gibt Platten für verschiedene Neigungen. Die Bohrung soll immer 5 cm größer sein, um die Sicherheitsmaßnahmen zu folgen.
- * Es ist auch wichtig nicht brennbare Materialien zwischen den Zimmern und 25 mm von dem Kanal draußen zu verwenden. (z.B. eine 12 mm Promatect Platte).
- * Sie müssen die Position des Kamins und des konzentrischen Kanal System bestimmen, und dann das Kanal System konstruieren. Kanal immer 1 Meter oben vom Kamin und Maximum 3 Meter Horizontal. Die Elemente müssen mit Klemmband verbunden sein. Alle Komponente sollen dicht sein.
- * Sie können Röhre zwischen den Versatz verwenden, oder bei der Montage des Kamins oder an der Decke 2 Wandbeschläge für das Kanal System auf jedem Stockwerk verwenden.

8.3 Montage des existierenden Rauchkanal. (siehe APPENDIX 3)

Vorschriften

Abgassystem unterschreitet Kategorie C91.

Das Kanalsystem soll immer in Übereinstimmung mit den Forderungen der nationalen geltenden Vorschriften sein. Das Kanalsystem soll auch in Übereinstimmung mit den Montageanleitungen des Produzenten sein.

Der Rauchkanal darf nicht kleiner als 150 mm sein, aber auch nicht größer als 200 mm sein. Er darf auch nicht bei einem Gitter, etc. ventiliert sein. Falls der Rauchkanal größer ist, kann es notwendig sein Schlauchen, die flexibel sind, mit einem Durchmesser von 150 mm in Kombination mit Schlauchen, mit einem Durchmesser von 100 mm, zu verwenden.

Bitte, zögern Sie nicht Ihrem Lieferant zu kontaktieren, falls Sie weitere Fragen haben.

8.4 Teile

Vorher Sie den Kamin montieren, müssen Sie sicher sein, daß alle Teile in Ordnung sind. Sie brauchen die folgenden Teile, wenn Sie einen Kanal aus Mauerziegel zu einem konzentrischen Kanal ändern möchten. konzentrischen Kanal System (siehe APPENDIX 3)

ACHTUNG: Die Sanierung / Umbau-Set besteht aus Teilen 4, 5 und 7

8.5 Montage

- * Geben Sie den flexiblen Schlauch (6) durch den vorhandenen Schornstein
- * Bringen Sie den Schieber (5) an der Unterseite des flexiblen Schlauchs und befestigen Sie ihn mit zwei Schrauben.
- * Halten der Unterseite des Gleitstücks gleich der Boden des Kanals oder der Decke. Verkürzen Sie den Schlauch bis etwa 100 mm über der Spitze des Schornsteins.
- * Bringen Sie die Montageplatte (7) mit dem flexiblen Schlauch, klemmen Sie sie mit einem Edelstahl-Schlauchselle um 90-165, verriegeln Sie ihn mit einem Parker.
- * Bringen Sie die Montageplatte (7) wasserdicht auf der Spitze des Schornsteins mit Silikon und Edelstahl-Schrauben.
- * Bringen Sie die Dachdurchführung (9) und sichern Sie mit der mitgelieferten Klammer (8)
- * Nach der Installation Soll der Schieber (5) etwa 100 mm von der Decke oder unter dem Kanal bleiben.
- * Bringen Sie die Montageplatte innen (4) gas dicht gegen die Unterseite der strukturellen Kanal oder an der Unterseite der Betondecke mit Silikon und Schrauben.
- * In Übereinstimmung mit den Anforderungen des Geräteherstellers installieren
- * Installieren Sie mindestens 1 Meter konzentrische Kanal type THC CC 100-150 (2)
- * Verlängern sie die konzentrischen Kanal mit Verwendung von Abschnitten (2) auf ein Minimum von 100 mm in dem Strukturkanal. schließlich im Inneren der Montageplatte der Klemme (4) von Hand fixieren.

8.5 Reinigung und Wartung

Das Gasgerät sollte einmal jährlich von einem Qualifizierten Fachbetrieb kontrolliert und gewartet werden .

Die Inspektion und Wartung sollte sicherstellen das , das Gerät Ordnungsgemäß und Sicher arbeitet .

Es ist ratsam den Gaskamin regelmäßig während der Heizsaison von Staub und Schmutz zu reinigen besonders wenn Der Kamin über einen längeren Zeitraum nicht benutzt wurde.

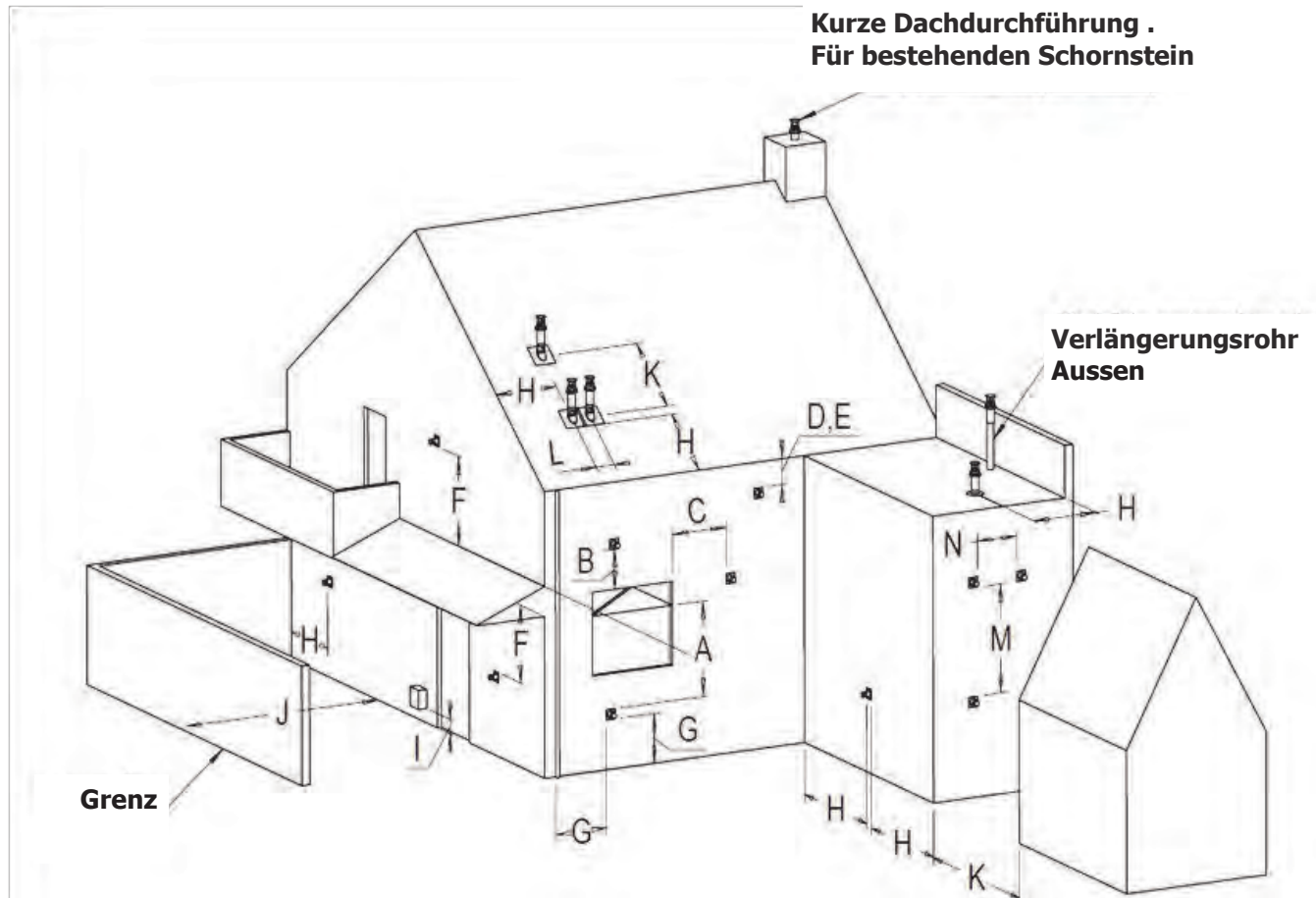
Verwenden Sie keine korrosiven und Aggressiven Reinigungsmittel zum Reinigen des Gaskamins.

Das Konzentrische Abgasrohr muss alle 2 Jahre kontrolliert und gereinigt werden

Ebenfalls zu Prüfen :Gasdichtheit und Abgassystem

Der korrekte Betrieb der Gasregelung und des Zündbrenners

9. POSITIONEN UND FUNKTIONEN



Abmessungen	Dachabläufe Positionen	Entfernung
A	Die Entfernung Entlüftungen	lokal
B	Die Entfernung Entlüftungen	lokal
C	Die Entfernung Entlüftungen	lokal
D	Unterhalb einer Rinne Boden Rohre oder Ablaufrohre	500
E	unter Traufe	500
F	Unter einem Carport, Dach oder Balkon, von innen und Außenecken	500
G	Von einem Boden von vertikalen Rohren oder Ablaufrohren	300
H	Innerhalb und außerhalb einer Ecke	500
I	Oben, ein externer Gasdruckregler	1000
	Seite eines Gasdruckreglers	500
J	Abstand benachbarter Wandsteckdose	lokal
K	Dachdurchführung von Mitte zu Mitte	1000
L	Aus dem Herzen der beiden Dachabläufe	450
M	Zwei Wand Abflüsse überlagerten	1000
N	Zwei Wandausgabeseite	1000

Nach alle örtlichen Bauvorschriften

10. MERTIK GV60 PROBLEMLÖSUNG

No	AKTION		Möglicher Fehler	Lösung	
1.	Möglichkeit: Wand Kontakt START: ON Knopf drücken > Der Kontakt funktioniert korrekt.	NEIN →	Stift des Kontakts ist gebogen, oder Kabel funktioniert nicht korrekt	Neuen Kontakt montieren	
1.	Fernbedienung START: Beide Knöpfe drücken um Feuer zu anzünden. Sie werden jede Sekunde einen Ton hören	NEIN →	Fernbedienung Batterie ist fast leer .	Neue Batterie einsetzen, 2x AAA 1.5V Qualität Alkalien!	
			Empfänger Batterie ist fast leer .	Neue Batterie einsetzen, 4x 1.5V AA Qualität Alkalien!	
			Zwischenstecker funktioniert nicht korrekt.	Zwischenstecker kontrollieren.	
			Die Einstellung der Fernbedie- nung und des Empfängers kontrollieren.	Programmieren, Anleitungen lesen, und Informationen auf dem Empfänger kontrollieren	
			Fernbedienung/Empfänger Signal kontrollieren.	1 Antenne Leitung rücken, Anleitungen lesen. 2. Empfänger rücken.	
			Wand Kontakt / Kabel funktioniert nicht korrekt.	Kontakt/Kabel ändern	
			REmpfänger Sicherung kaputt (nur in den alten Modellen).	Neuen Empfänger montieren.	
	OK ↓				
2.	Magneteinheit in dem Gasventil ist aktiviert (Klick)	NEIN →	Kein Ton	Der Magneteinheit funktioniert nicht korrekt.	Neu Gasventil montieren.
		NEIN →	3 Kurze Tonen	Empfänger Batterien sind fast leer .	Neue Batterien einsetzen, 4x 1.5V AA Qualität Alkalien!
		NEIN →	1 lange Ton	ON/OFF Kontakt auf dem Gasventil in OFF Position	Kontakt auf ON stellen.
			8-Polig Kabel zwischen Empfänger und Gasventil ist nicht in Ordnung	Kabel kontrollieren, auch die Steckdose.	
			Kabel hat keine Verbindung an dem Kontakt.	Kontakt kontrollieren, Figur 1, auf der Seite 18, sehen	
			Motor funktioniert nicht korrekt. Neu Gasventil montieren.	Neu Gasventil montieren.	
			Mikro Kontakt auf dem Gasventil funktioniert nicht korrekt.	Neu Gasventil montieren.	
	OK ↓				

No	AKTION	Möglicher Fehler	Lösung
----	--------	------------------	--------

3. Funken jede Sekunde.

NEIN →	Die Komponente für Entzünden funktioniert nicht korrekt.	Kabel kontrollieren. elektronische Komponente.
		IGN Elektrode Funke kontrollieren.
		IGN Elektrode kontrollieren (die Keramischen Teile kontrollieren).
		IGN Kabel kontrollieren.
		Abstand zwischen IGN Kabel und den Teile aus Metall ändern. Die Funken kontrollieren Eventuelle den Kabel kurzer machen. Eventuelle mehr Isolation mit Silicon machen.
NEIN →	IGN Operationsfolge einstellt, keine Zündflamme. Keine Reaktion an der Fernbedienung	Den RESET Knopf drücken, Bedienungsanleitungen lesen.
		Erdkabel zwischen dem Zündbrenner und dem Gasventil verwenden.
		Nicht den IGN Kabel spulen.
		Den IGN Kabel kurzer machen.
NEIN →	IGN Reihenfolge hält, keine Pilotflamme auf. Senderbefehl ist möglich.	Ersetzen Sie Empfängerbatterien mit 4X 1.5V AA Qualität alkalische Batterien

↓ OK

4. Zündflamme.

NEIN →	TC und SW Kabels wechseln.	Die Kabel zwischen dem Empfänger und dem Schalter kontrollieren, Figur 1 sehen.
	Zündmagnet funktioniert nicht korrekt.	Neu Gasventil montieren.
	Abstand zwischen dem Schalter und SW Kabel	kontrollieren
	Kein Gas (Magneteinheit auslöscht nach 30 Sekunden	Zufuhr vom Gas am Ventil kontrollieren.

OK ↓

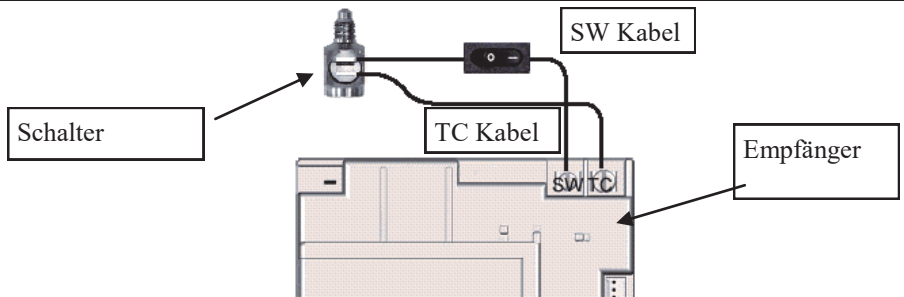


Figure 1

5. Kein Funke nach Entzünden der Zündflamme

NEIN →	Abstand zwischen dem Schalter und TC Kabel ist zu kurz.	Verbindung des Schalters kontrollieren. Figur 1 sehen.
	Elektronische Verstärker ist defekt	Neuen Empfänger montieren.

OK ↓

No	AKTION	Möglicher Fehler	Lösung
----	--------	------------------	--------

6. Motor am Haupt gas und Zündflamme ist in Ordnung

NEIN
→

Zündmagnet funktioniert nicht korrekt

Widerstand in dem Thermoelektrischen System	Kabeln und Verbindungen kontrollieren
Nicht genug Wärme auf dem Thermo Element.	Die Position des Thermo Elements und die Intensität der Zündflamme kontrollieren.
Nicht genug Volt von dem Thermoelement.	Kontrolleverbindungen und, wenn auch notwendig, ersetzt Thermoelement. Nicht die Verbindungen zu eng montieren!
Thermoelement ist kaputt	Neue Thermoelemente montieren. Nicht die Verbindungen zu eng montieren!

NEIN
→

IGN Operationsfolge einstellt. Keine Verbindung an der Fernbedienung (Keine Signale an dem Empfänger).	Den RESET Knopf drücken, Bedienungsanleitungen lesen.
	Erdkabel zwischen dem Zündbrenner und dem Gasventil montieren.
	Bitte, nicht den IGN Kabel spulen
	Eventuelle, den IGN Kabel kurzer machen.

↓ OK

7. Hauptbrenner ist angezündet

NEIN
→

Knopf des Gasventils in "MAN" Position stellen	Den Bedienungsknopf in "ON" Position stellen
--	--

↓ OK

8. Hauptbrenner ist angezündet.

NEIN
→

Zu viel /nicht genug Luft Die Zündflamme auslöscht.	Kontrollieren Sie, daß die Drosselplatte korrekt montiert ist. Die Montierungsanleitungen sehen. Position des Fuchssystems kontrollieren
--	--

↓ OK

9. Motor ausgeschaltet. 3 Tonen

NEIN
→

Batterien in dem Empfänger sind fast leer .	Neue 1.5V AA, Qualität Alkalien, einsetzen!
---	---

Das System ausschalten OFF auf der Fernbedienung.

JA

↓
OK

NEIN →

System auf dem Kontakt mit ON/ OFF ausschalten

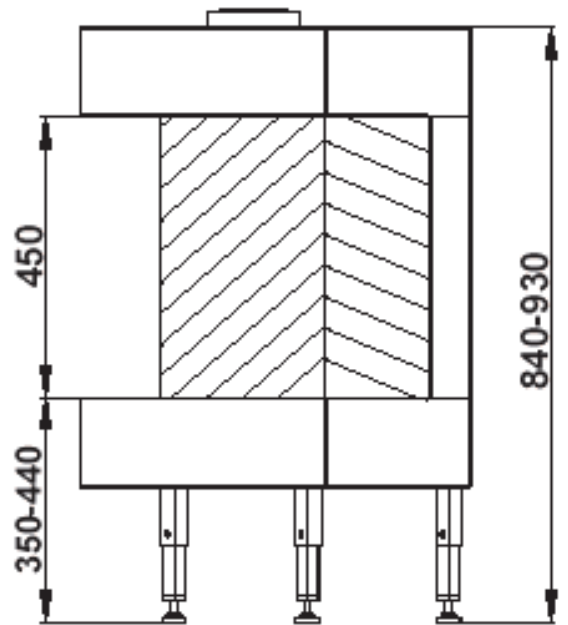
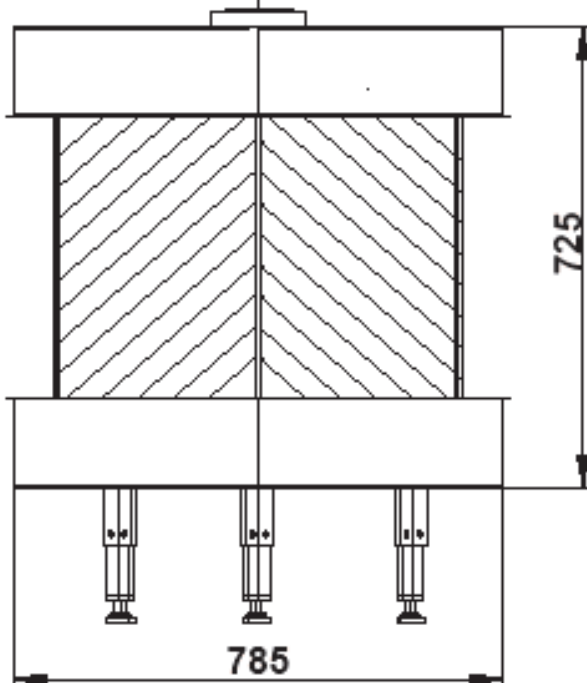
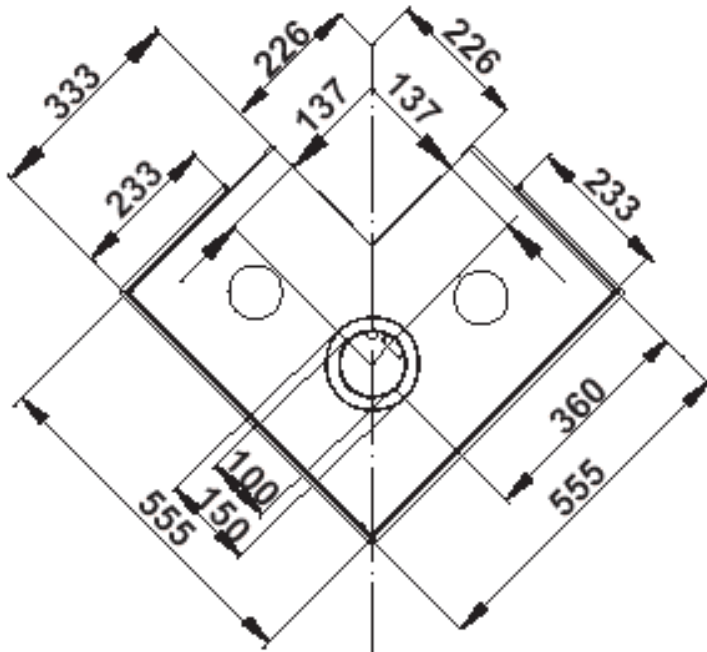
JA

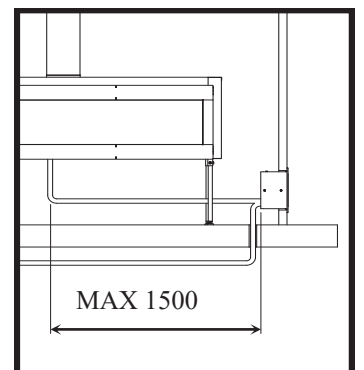
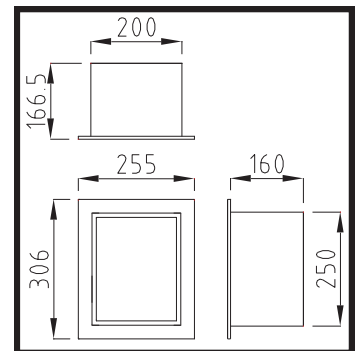
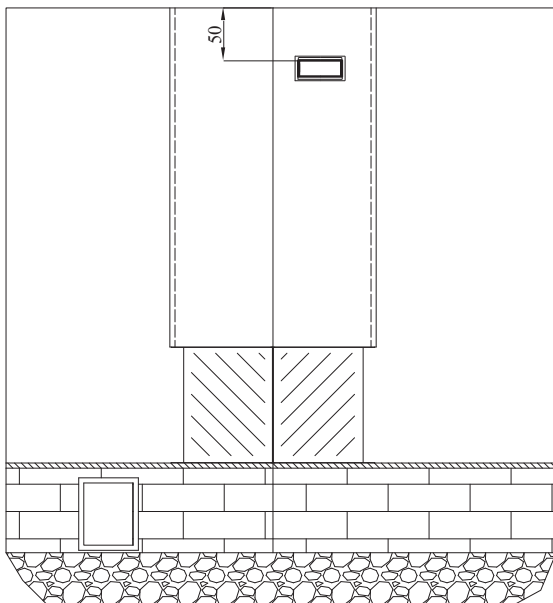
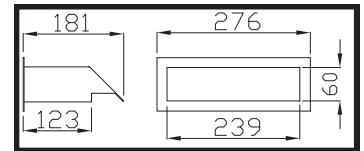
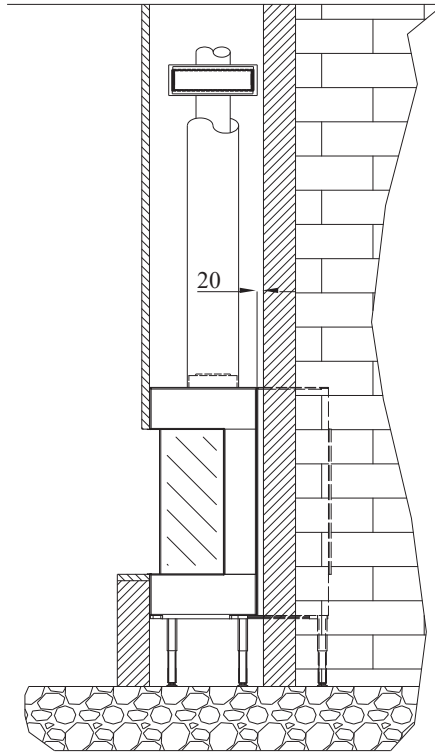
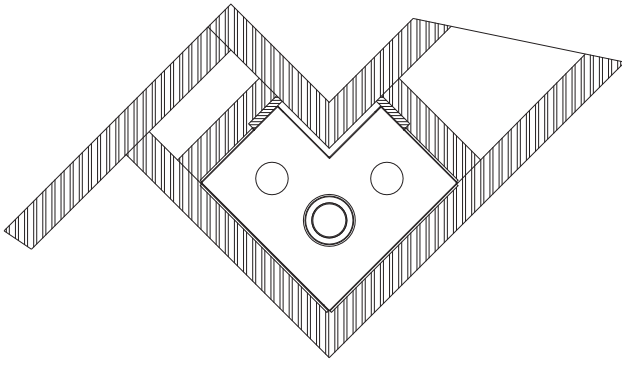
↓
OK

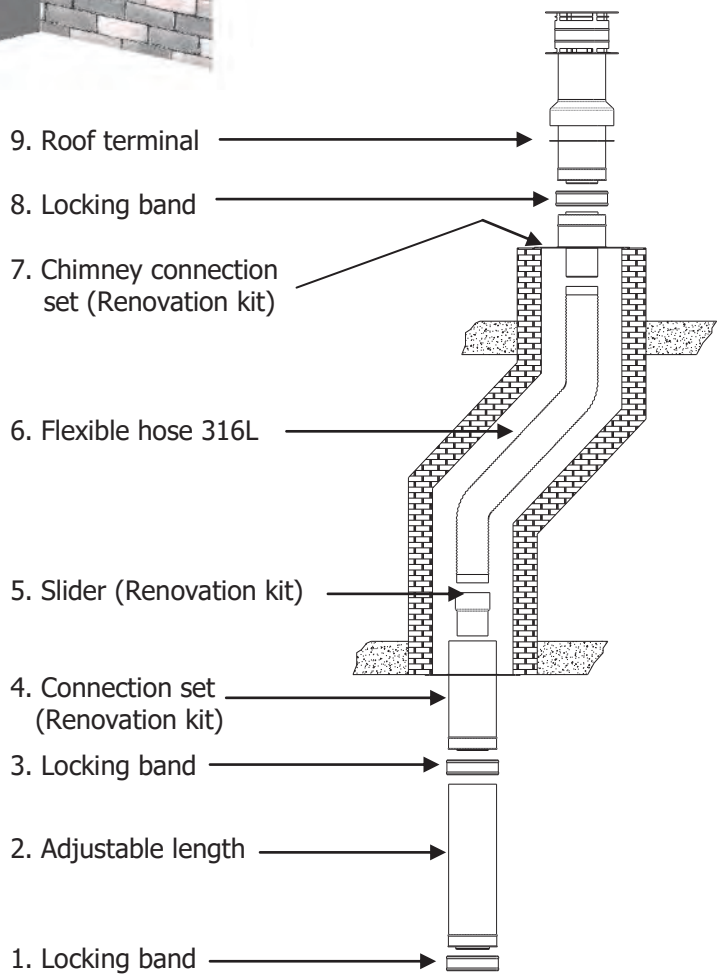
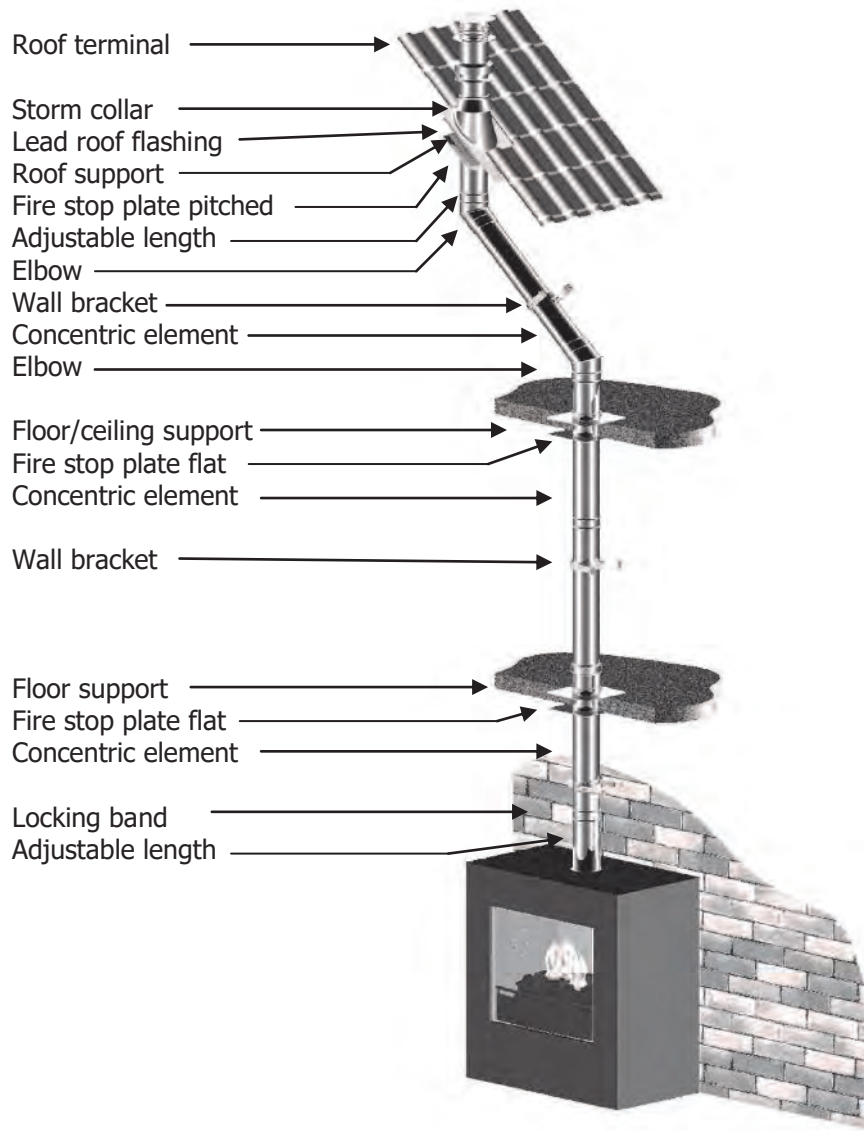
NEIN →

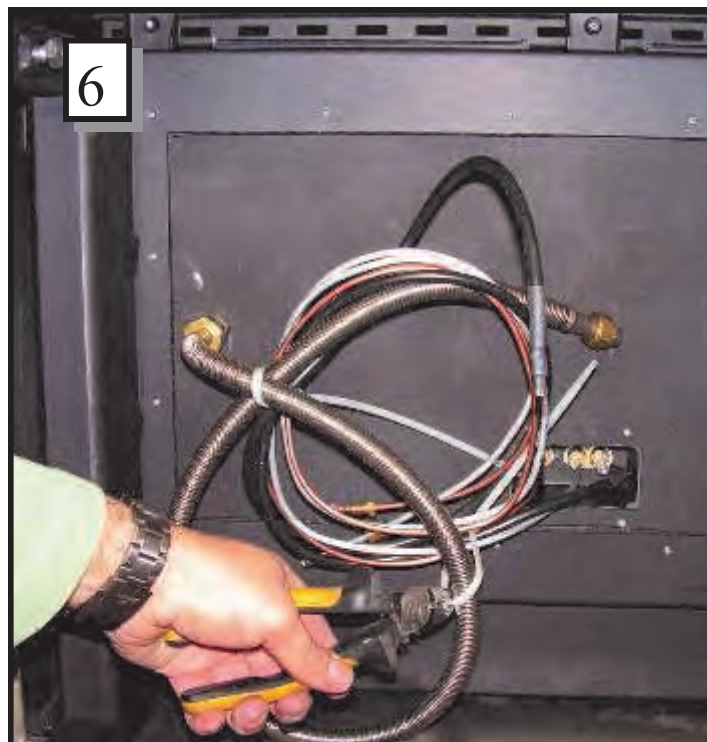
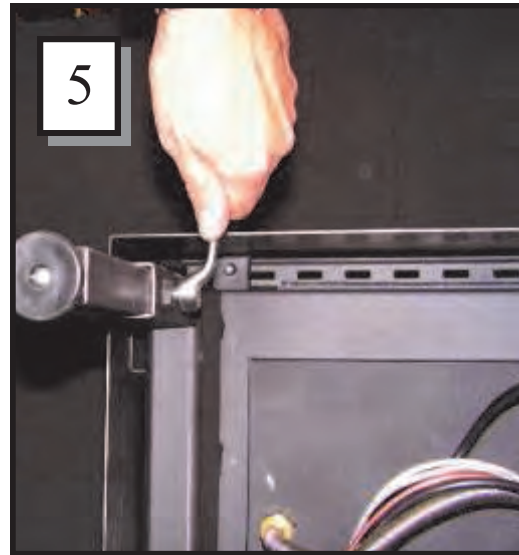
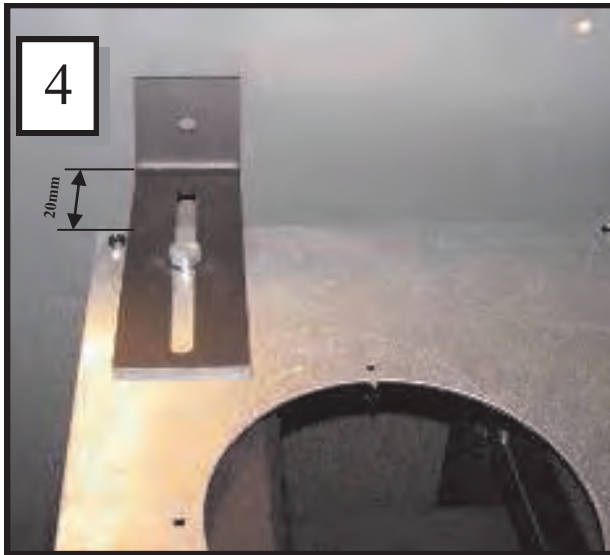
Abstand des Kabels zwischen TC und SW.	Die Verbindung an dem Schalter kontrollieren.
--	---

Neu Gasventil montieren.

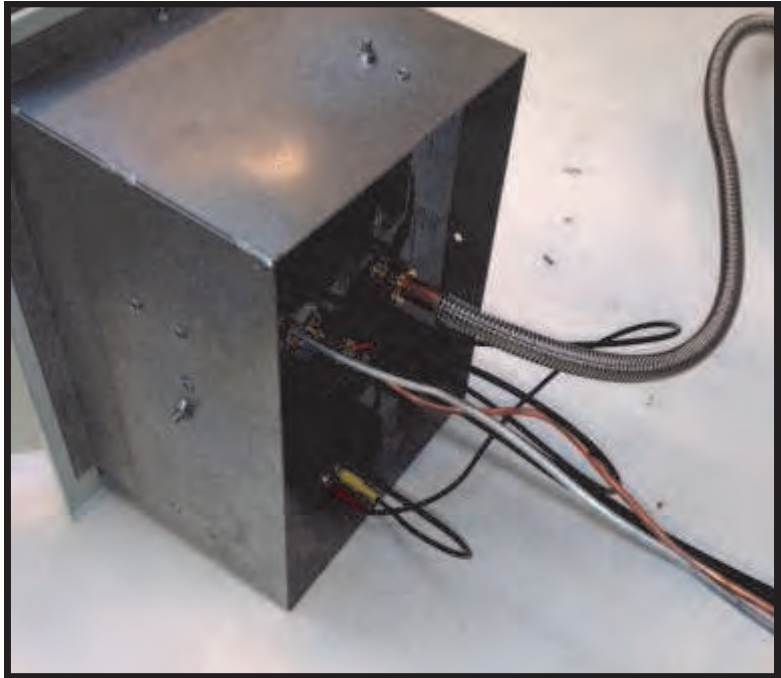
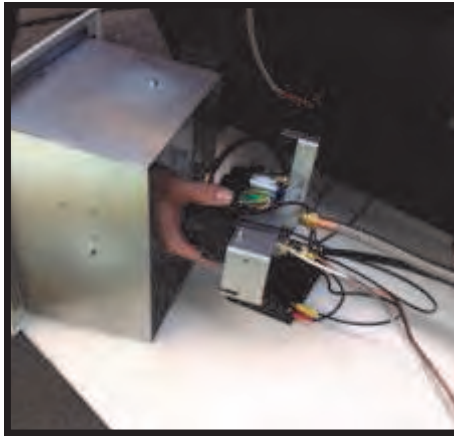
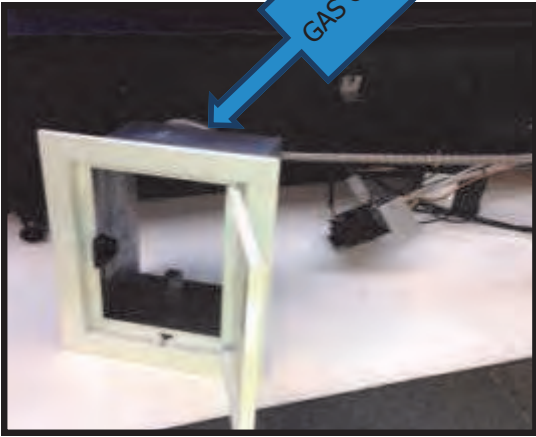


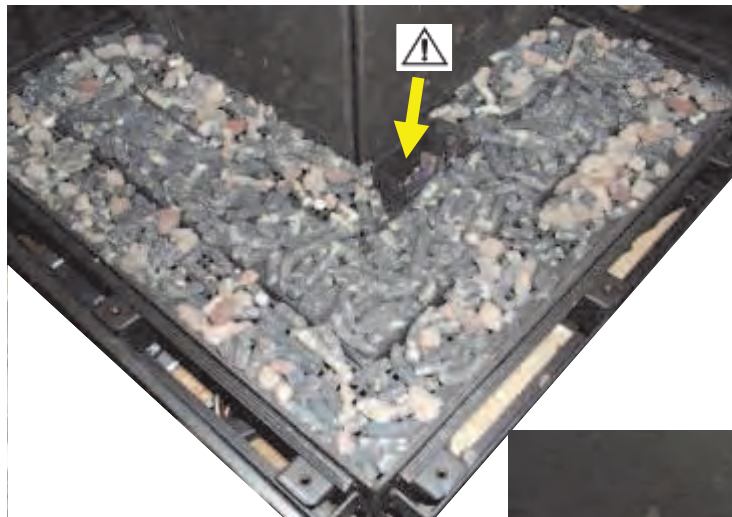






GAS CASSETTE











Pebbles

