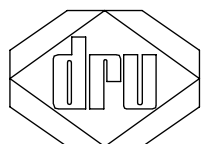
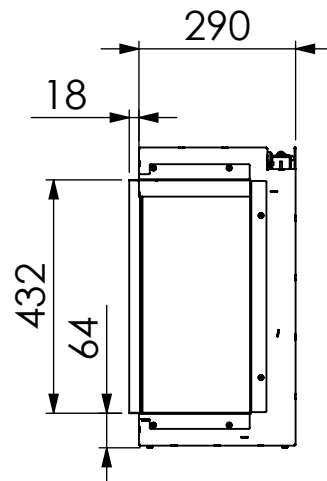
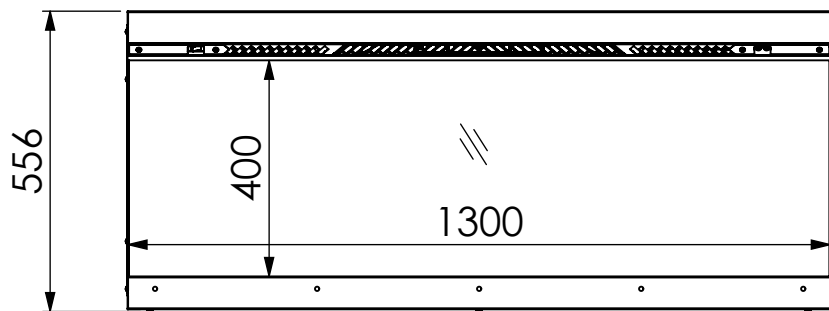
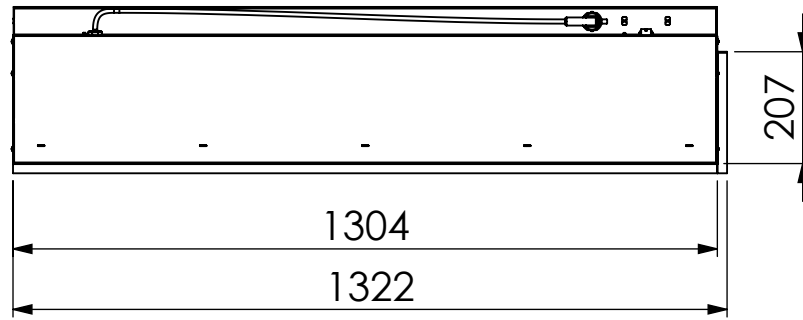
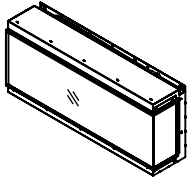
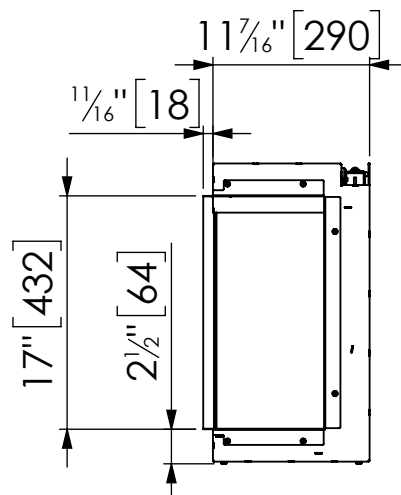
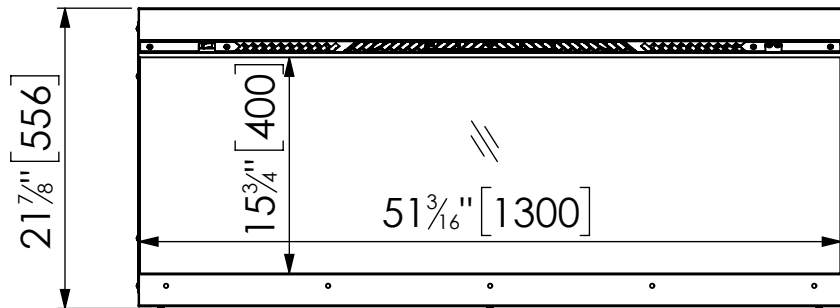
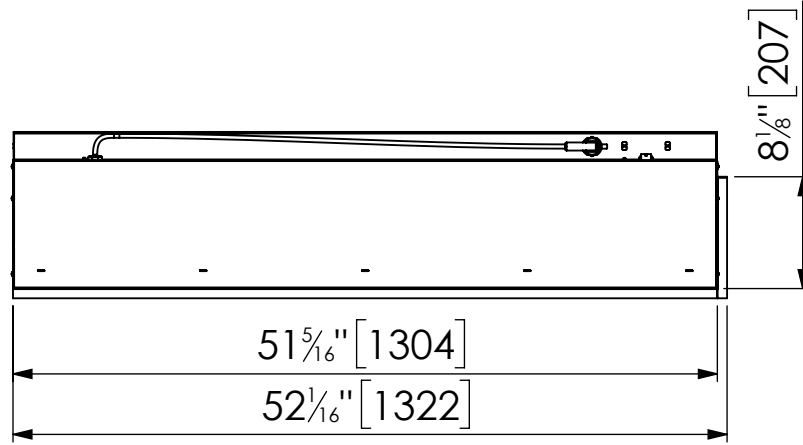
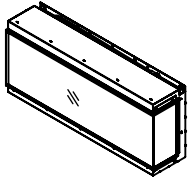


# Valo 130/2 Right



# Valo 130/2 Right



dim" = inch  
[dim] = mm

