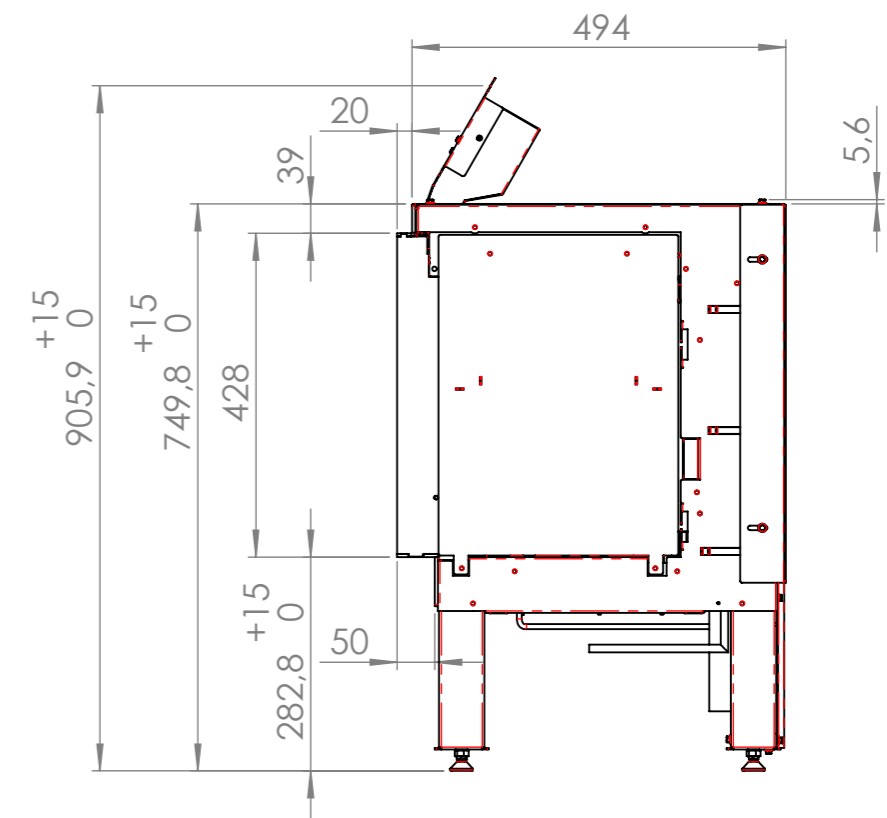
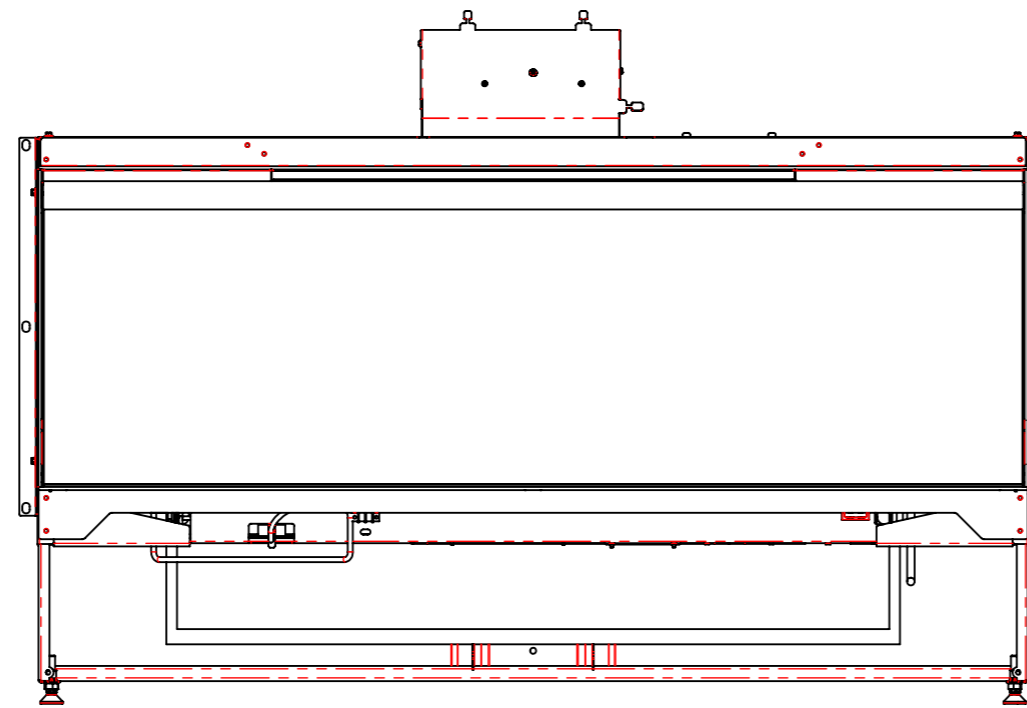
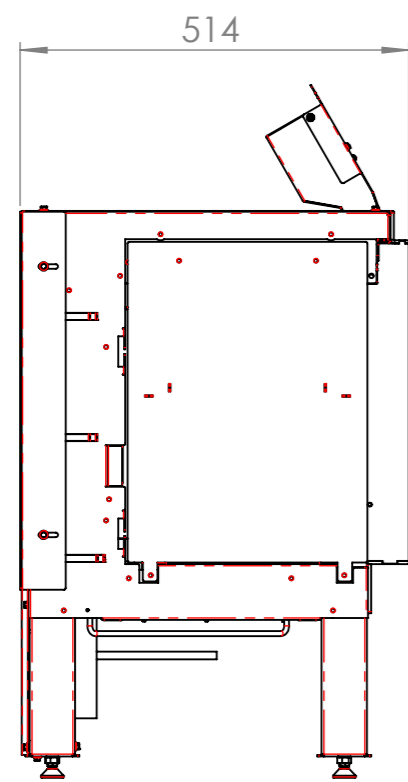
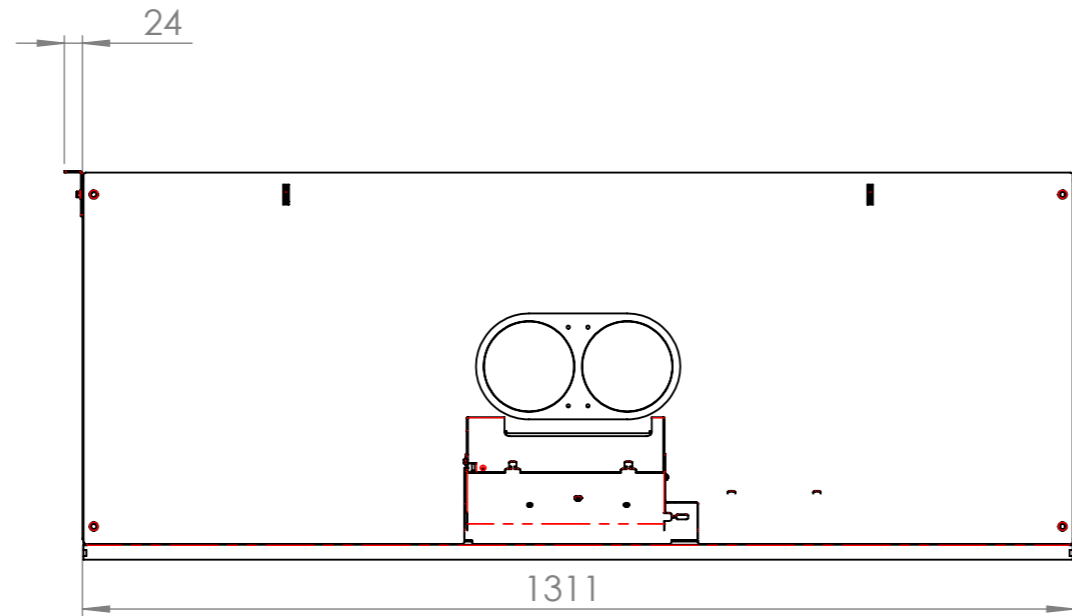
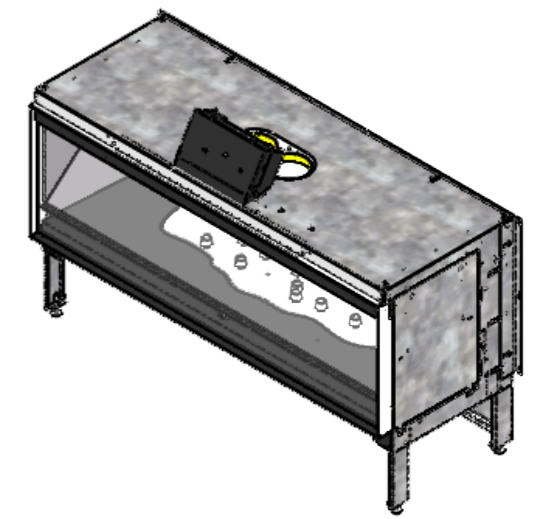



Config: closed



ISO 2768-mK		Treatment:					
Third Angle Projection ISO 128-Method A		Material:					
	Mass (Kg):	Date:	Author:	Scale:	Page:	Dimensions:	
	129.02	5-4-2022	RS	1:10	4/4	mm	
KALFIRE FIREPLACES		Description:					
		E-ONE 130 3S ASSY					
Document Number:				Revision:	Size:		
KF02931				00	A3		
All rights reserved. Copywrited / Reprints prohibited. Kal-fire BV						State : In Progress	