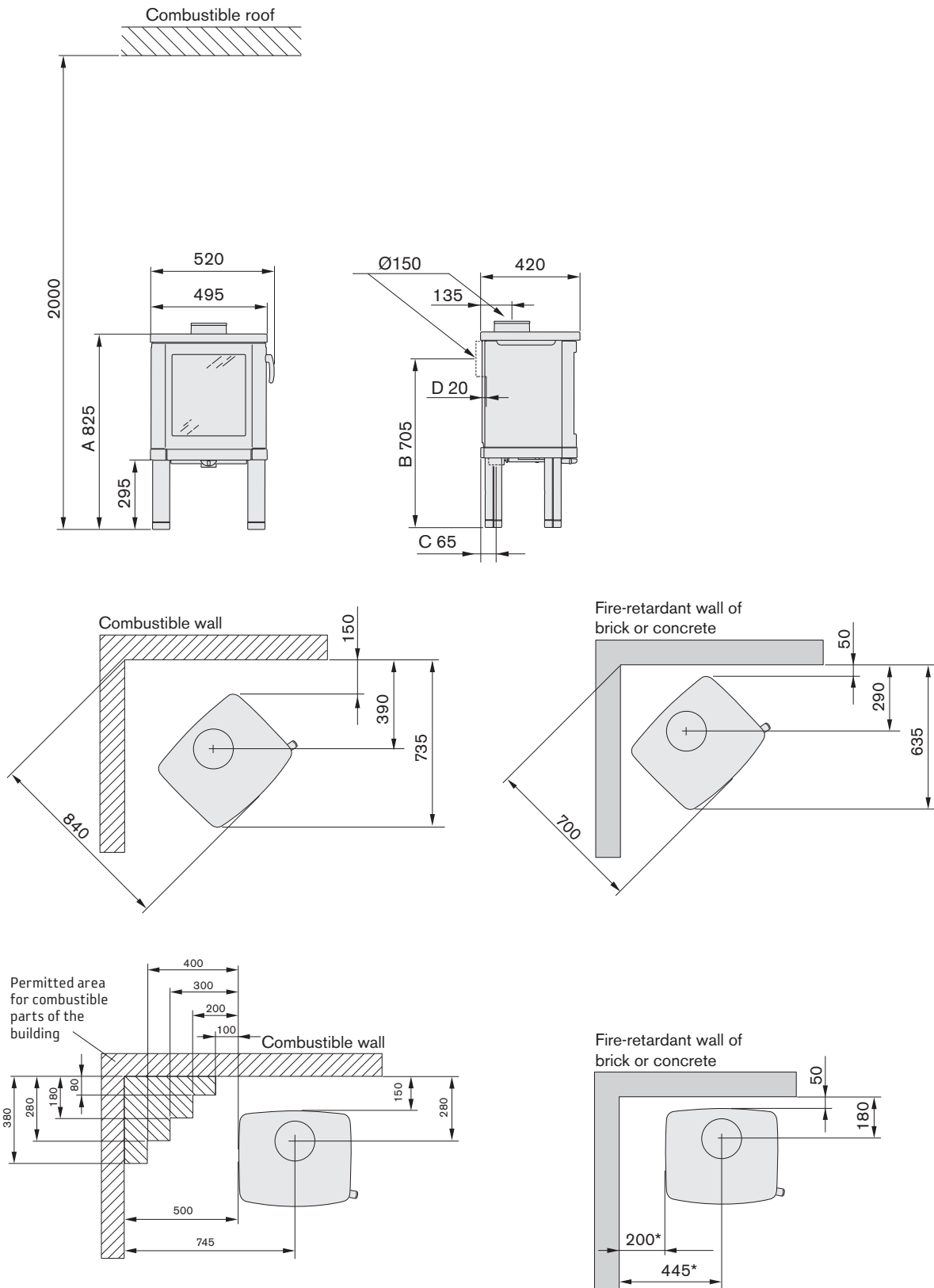


51, 52, 52T

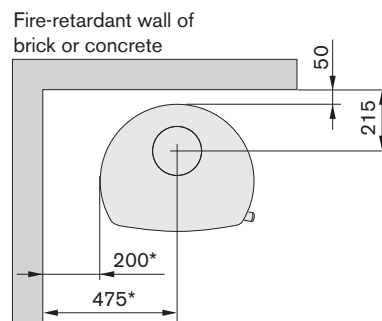
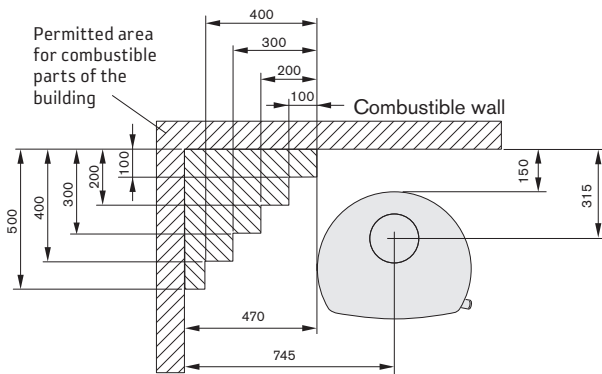
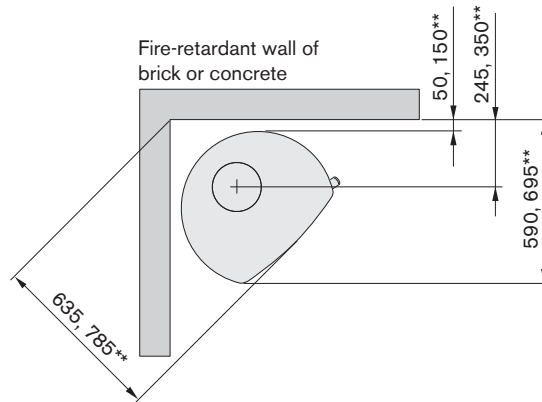
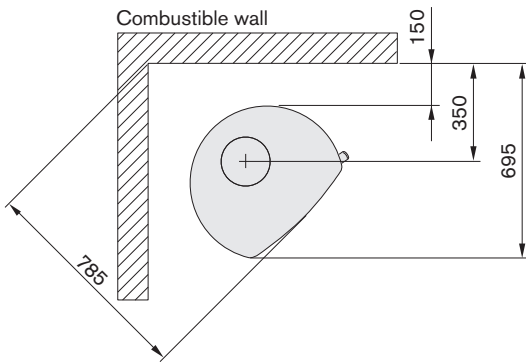
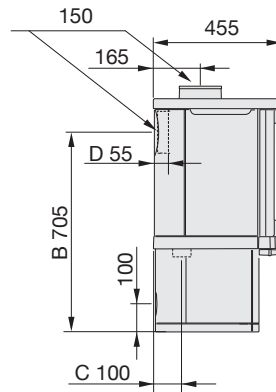
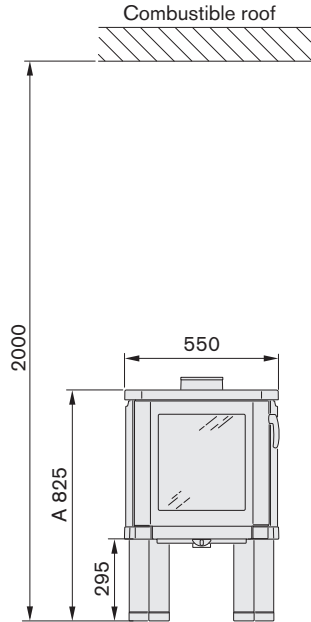
A = height from floor to top flue connection, Ø150
 B = height from floor to c/c smoke outlet rear, Ø150
 C = distance from back to top flue (c/c), Ø64
 D = distance from back to smoke outlet rear, Ø150



*To prevent the discolouring of painted fire walls, we recommend a side distance the same as for the combustible wall.

54, 54T

A = height from floor to top flue connection, Ø150
 B = height from floor to c/c smoke outlet rear, Ø150
 C = distance from back to top flue (c/c), Ø64
 D = distance from back to smoke outlet rear, Ø150



* To prevent the discolouring of painted fire walls, we recommend a side distance the same as for the combustible wall.

** Minimum installation distance when using Contura 50 base plate, applies when combustion air is obtained from the room and when connecting outdoor air through the floor. If outdoor air is NOT to be connected through the floor, the stove can be placed 50 mm from fire walls if Nibe's tear-drop shaped base plate is used.