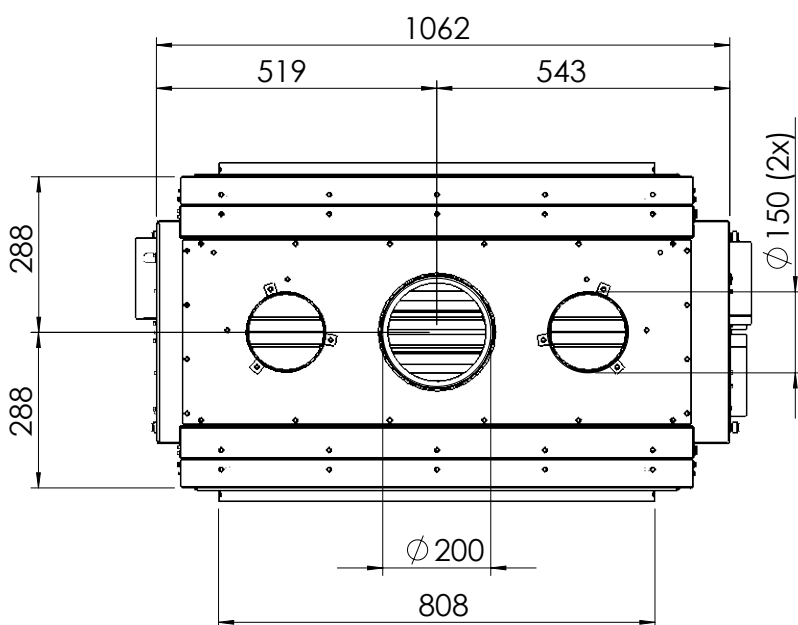
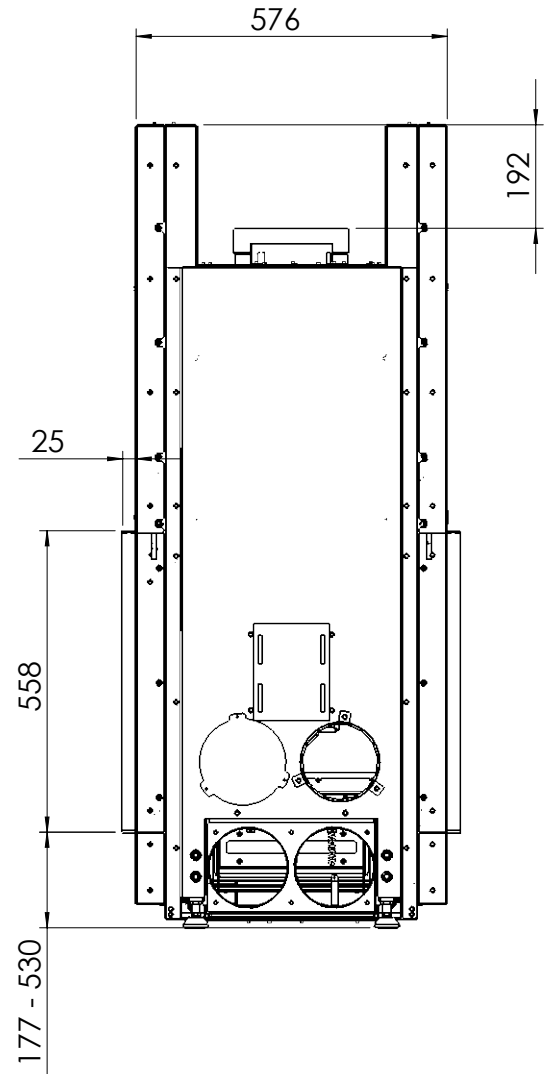
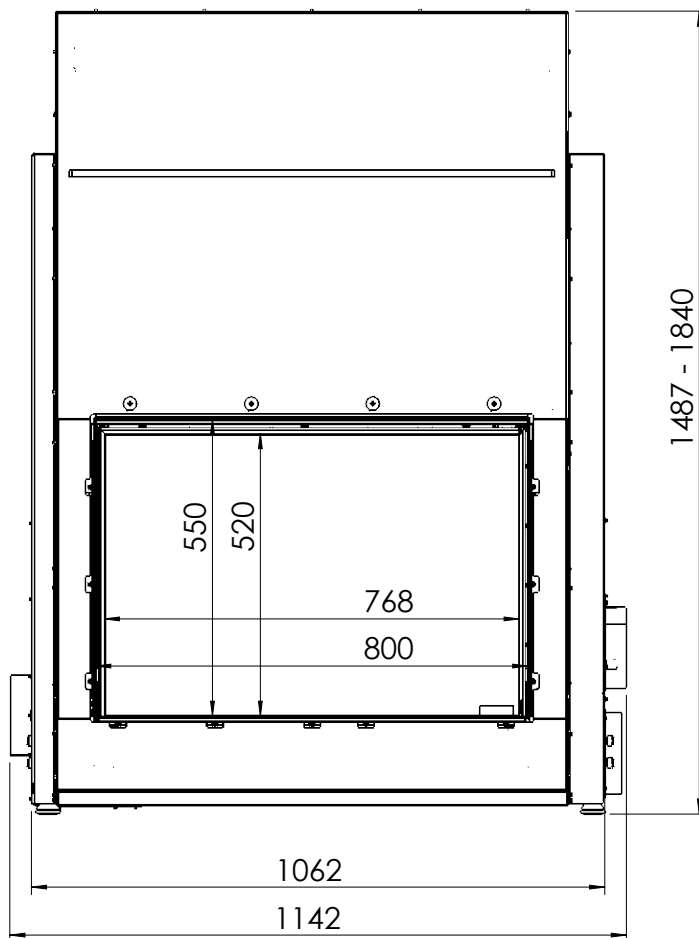


KALFIRE

FIREPLACES

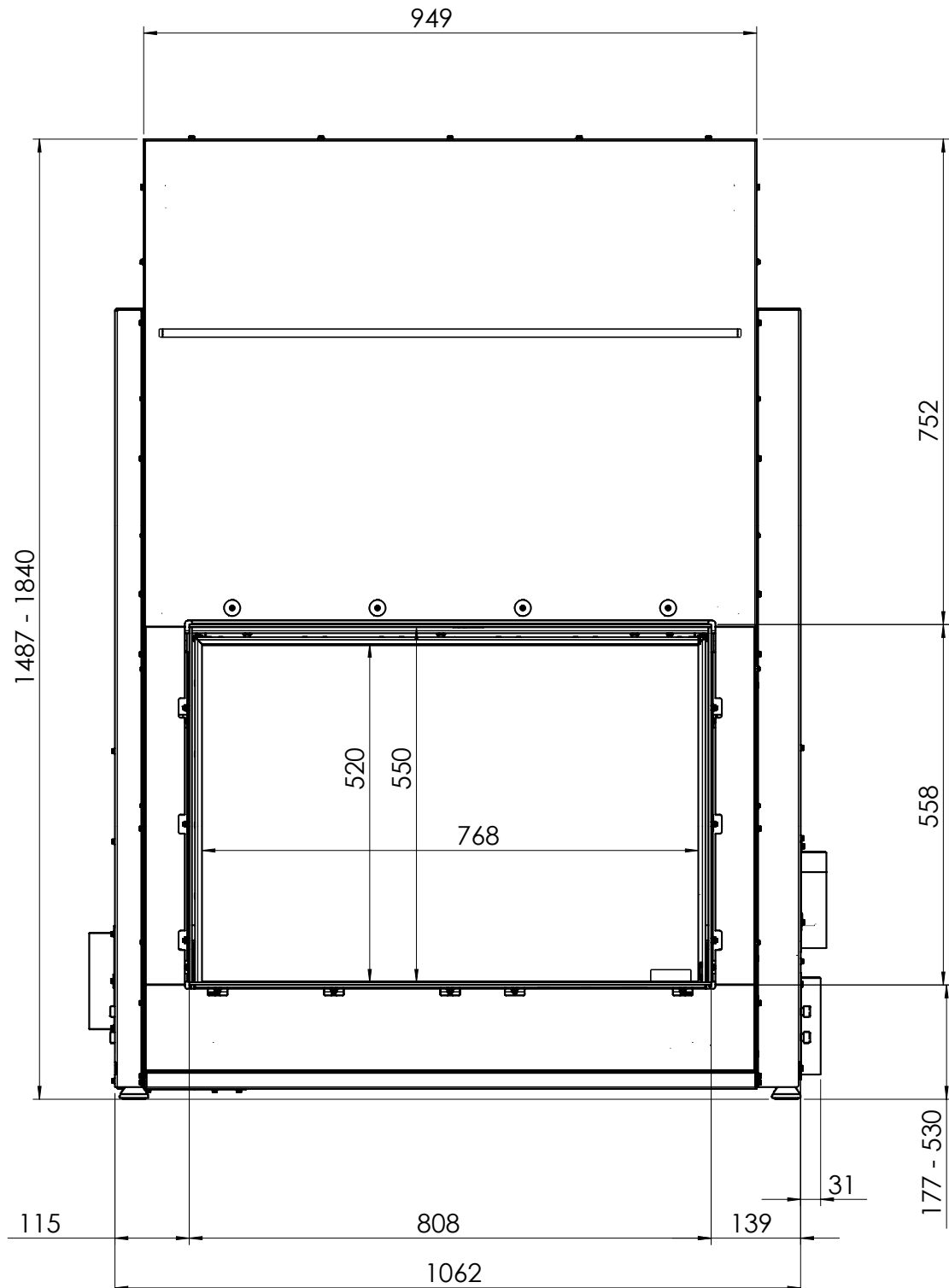
W80-52T

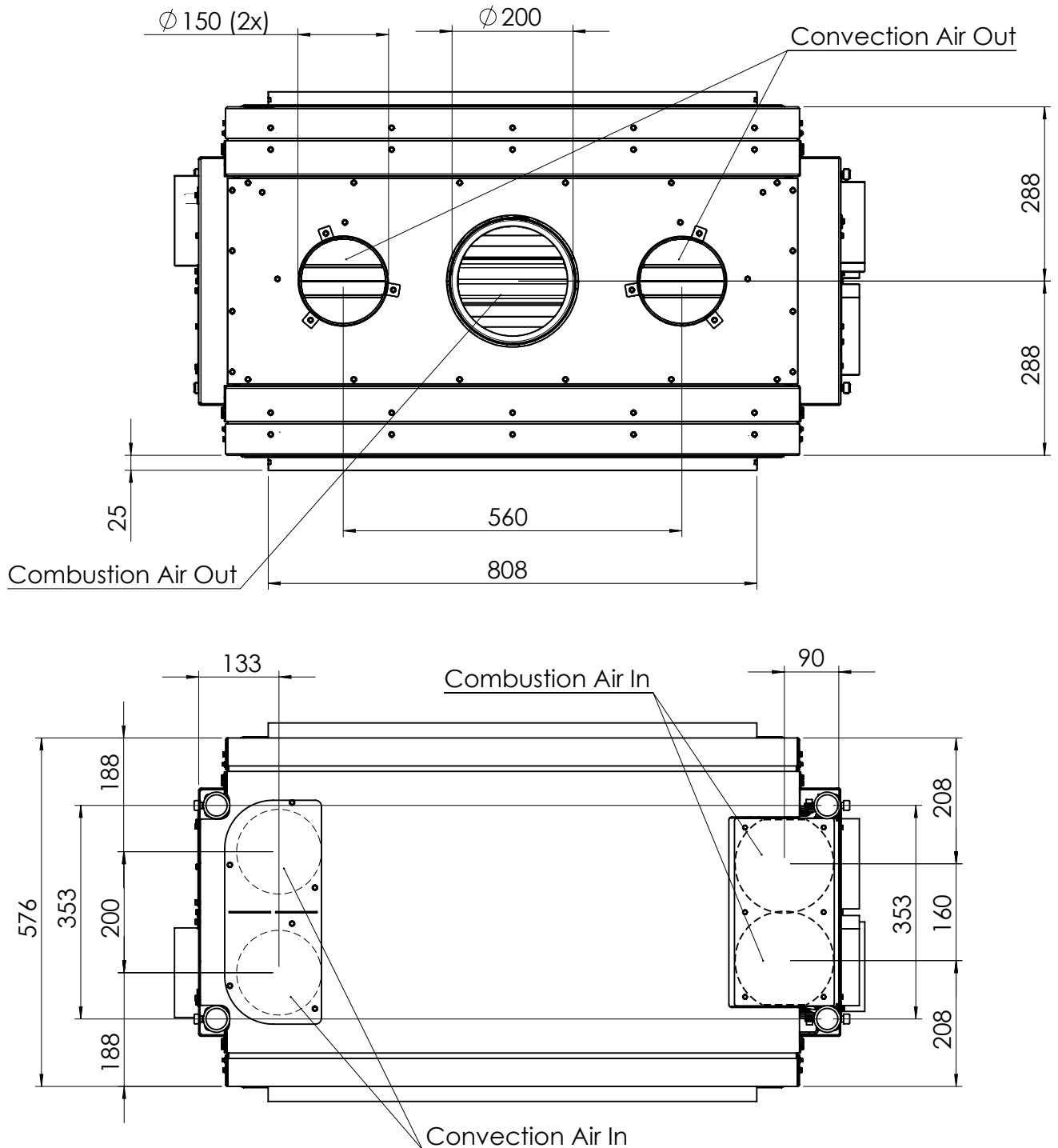


All dimensions in mm. Modifications under reserve.

7-4-2026 sheet 1 / 6

© All rights reserved. This drawing is sole property of Kal-fire. No part of this drawing may be reproduced, or published, in any form or in any way without prior written permission from Kal-fire.

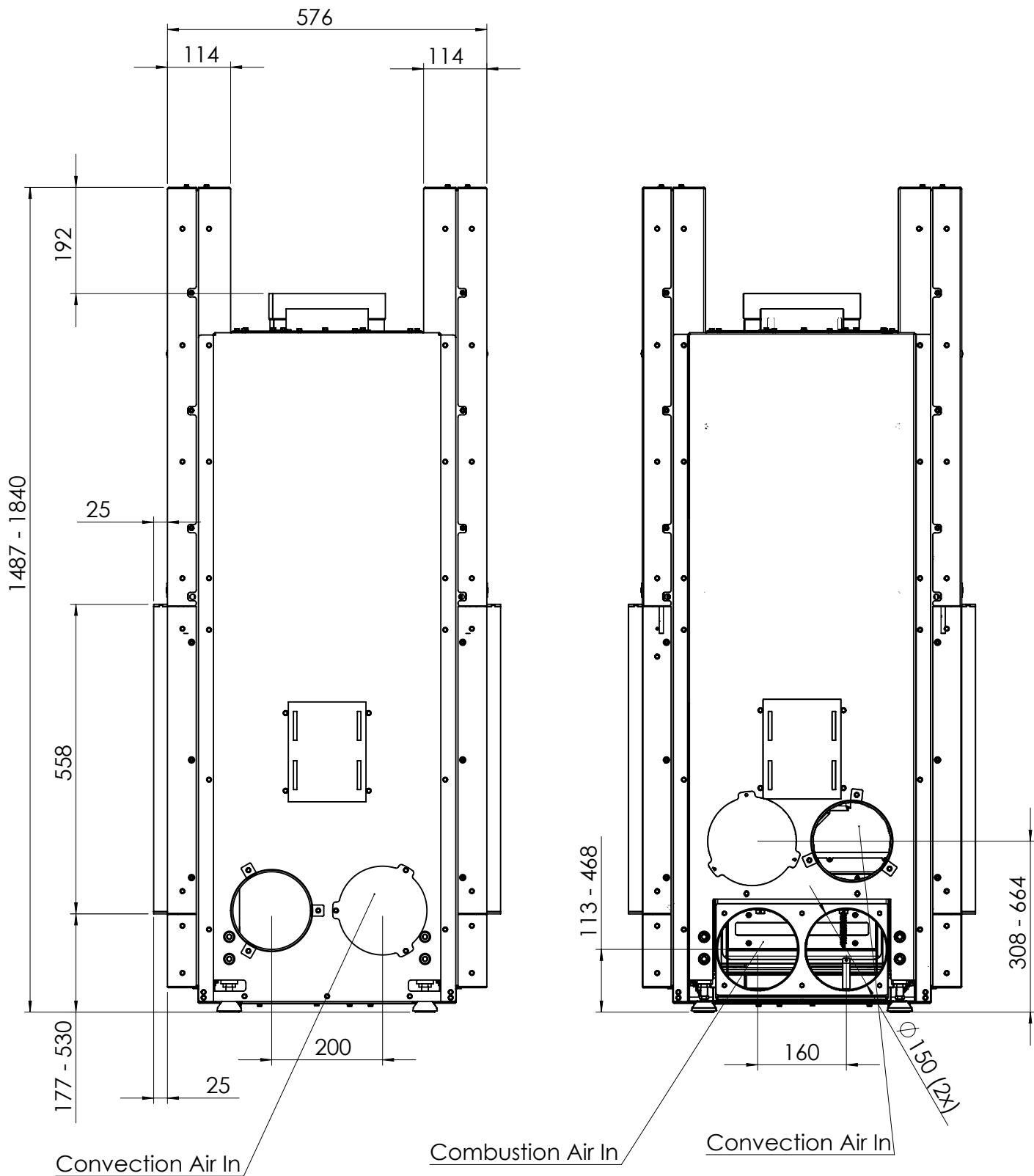




KALFIRE

FIREPLACES

W80-52T



All dimensions in mm. Modifications under reserve.

7-4-2026 sheet 4 / 6

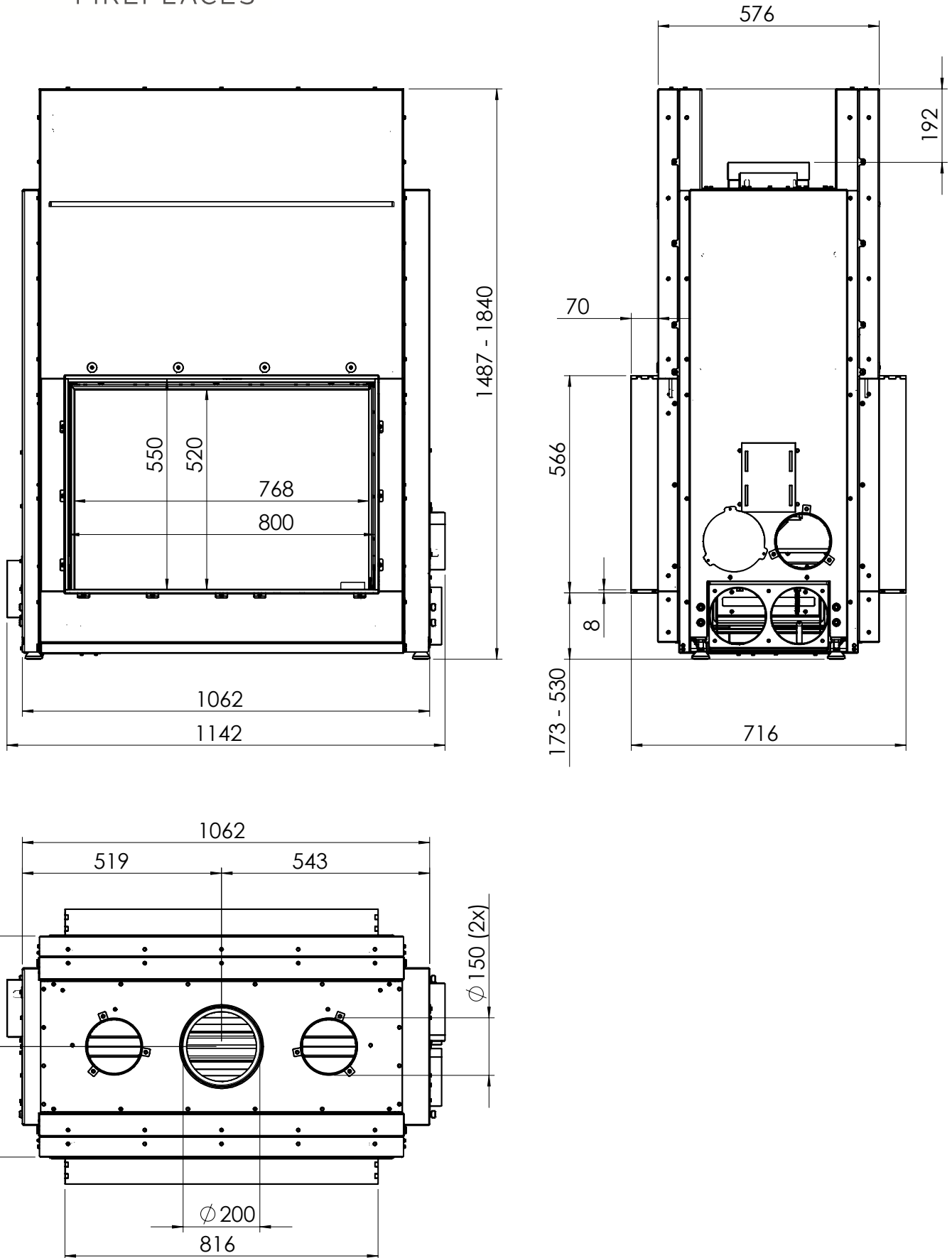
© All rights reserved. This drawing is sole property of Kal-fire. No part of this drawing may be reproduced, or published, in any form or in any way without prior written permission from Kal-fire.

KALFIRE

FIREPLACES

W80-52T

70mm DESIGN FRAME



All dimensions in mm. Modifications under reserve.

7-4-2026 sheet 5 / 6

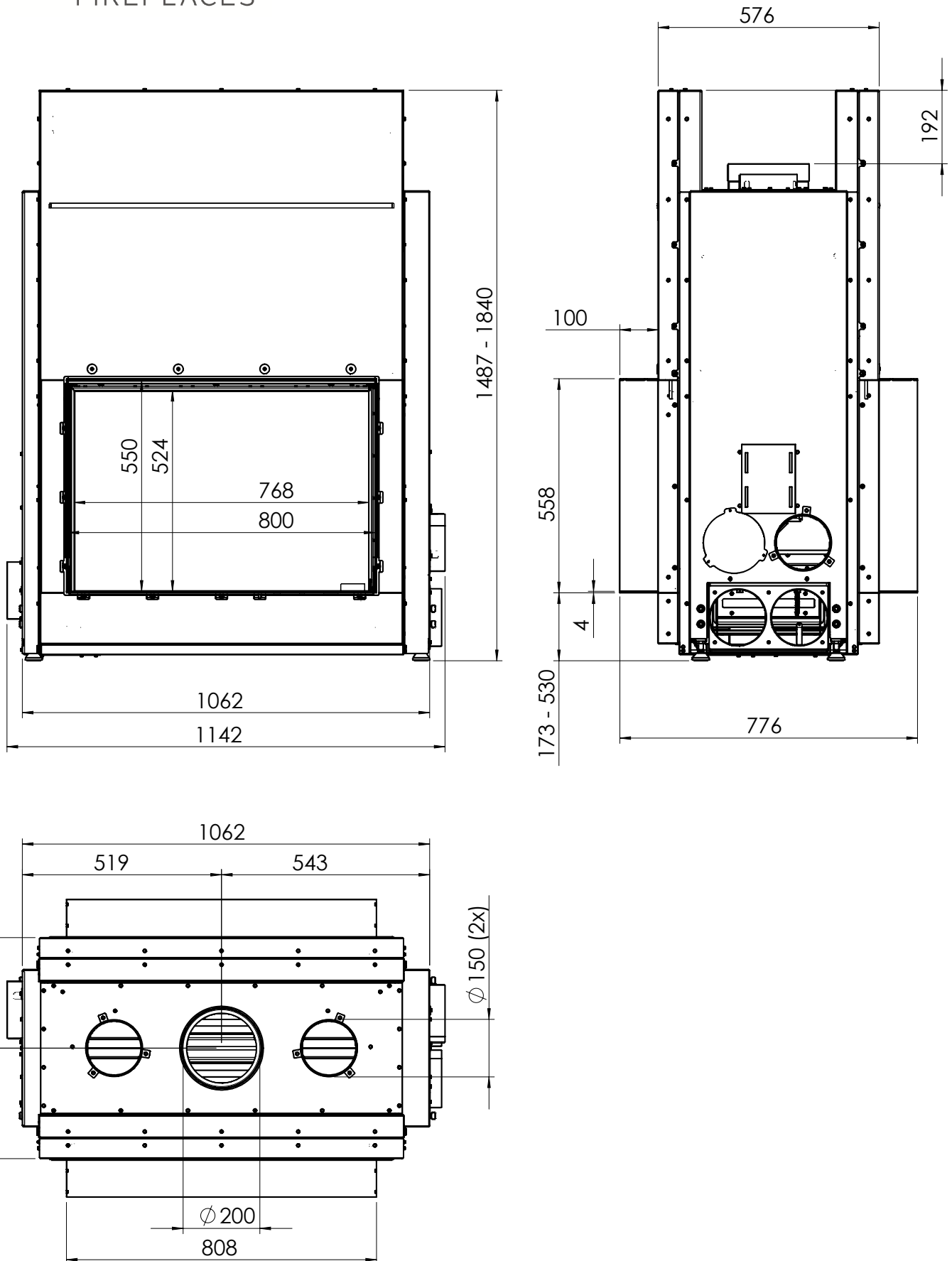
© All rights reserved. This drawing is sole property of Kal-fire. No part of this drawing may be reproduced, or published, in any form or in any way without prior written permission from Kal-fire.

KALFIRE

FIREPLACES

W80-52T

100mm DESIGN FRAME



All dimensions in mm. Modifications under reserve.

7-4-2026 sheet 6 / 6

© All rights reserved. This drawing is sole property of Kal-fire. No part of this drawing may be reproduced, or published, in any form or in any way without prior written permission from Kal-fire.