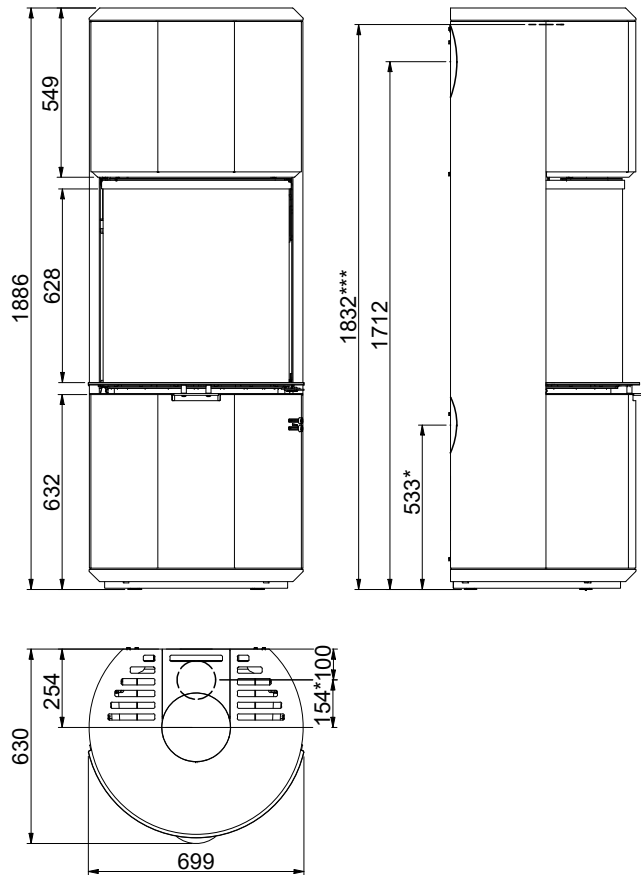
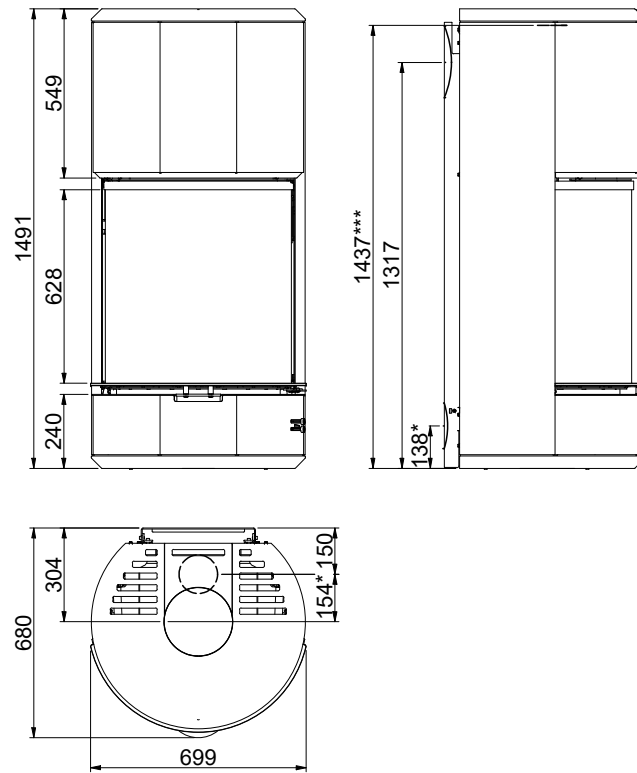


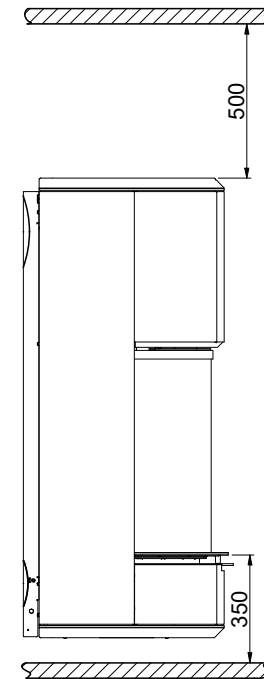
Scan 87 - freestanding



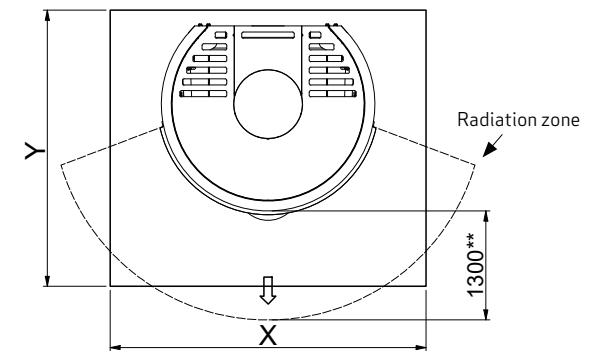
Scan 87 - wall-hung



Flammable ceiling and floor



Floor plate



X / Y according to national laws and regulations



All distances are in mm.
All distances are minimum distances

* Connection of fresh-air intake \varnothing 125 mm

** Min. distance to furniture/flammable material

*** Height to the beginning of flue connecting piece at top outlet