

fig 5 STYLE 3

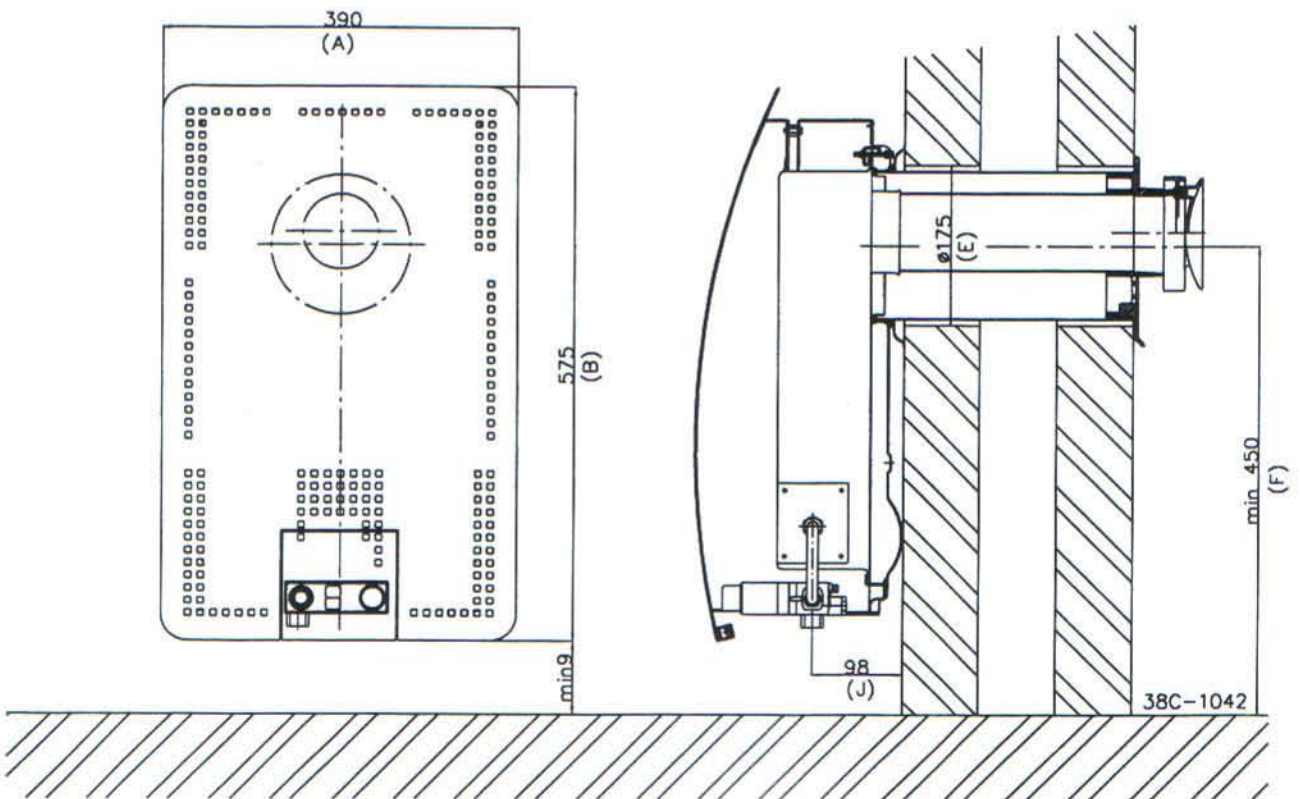


fig 6 STYLE 3