



DANVILLE UK BRASS

SPARES MANUAL

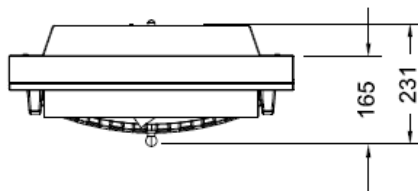
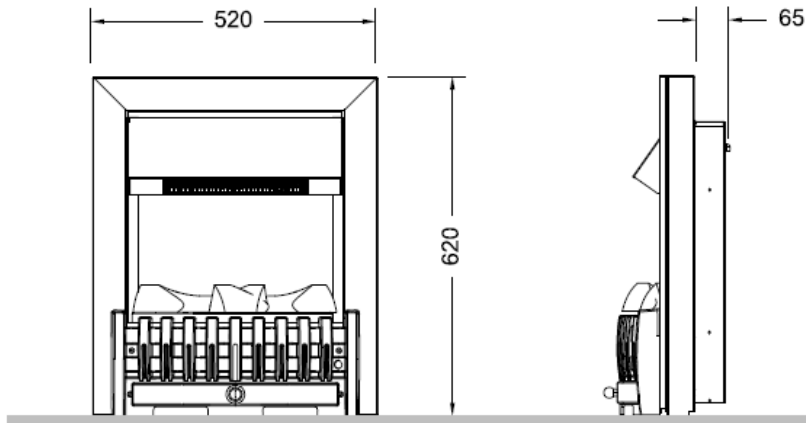
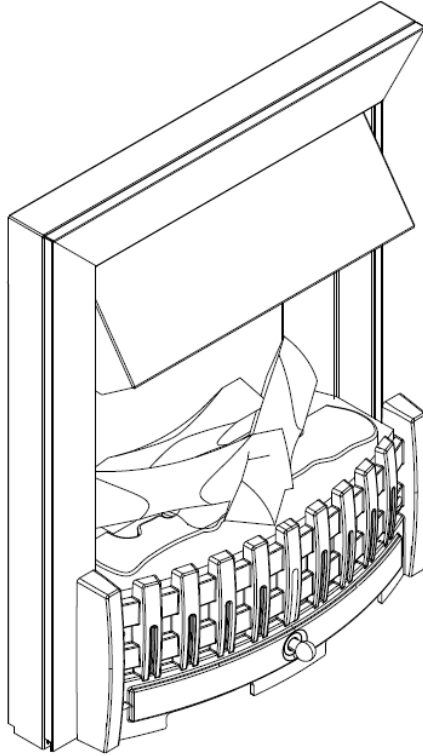
PRODUCT CODE 043177

ISSUE 2

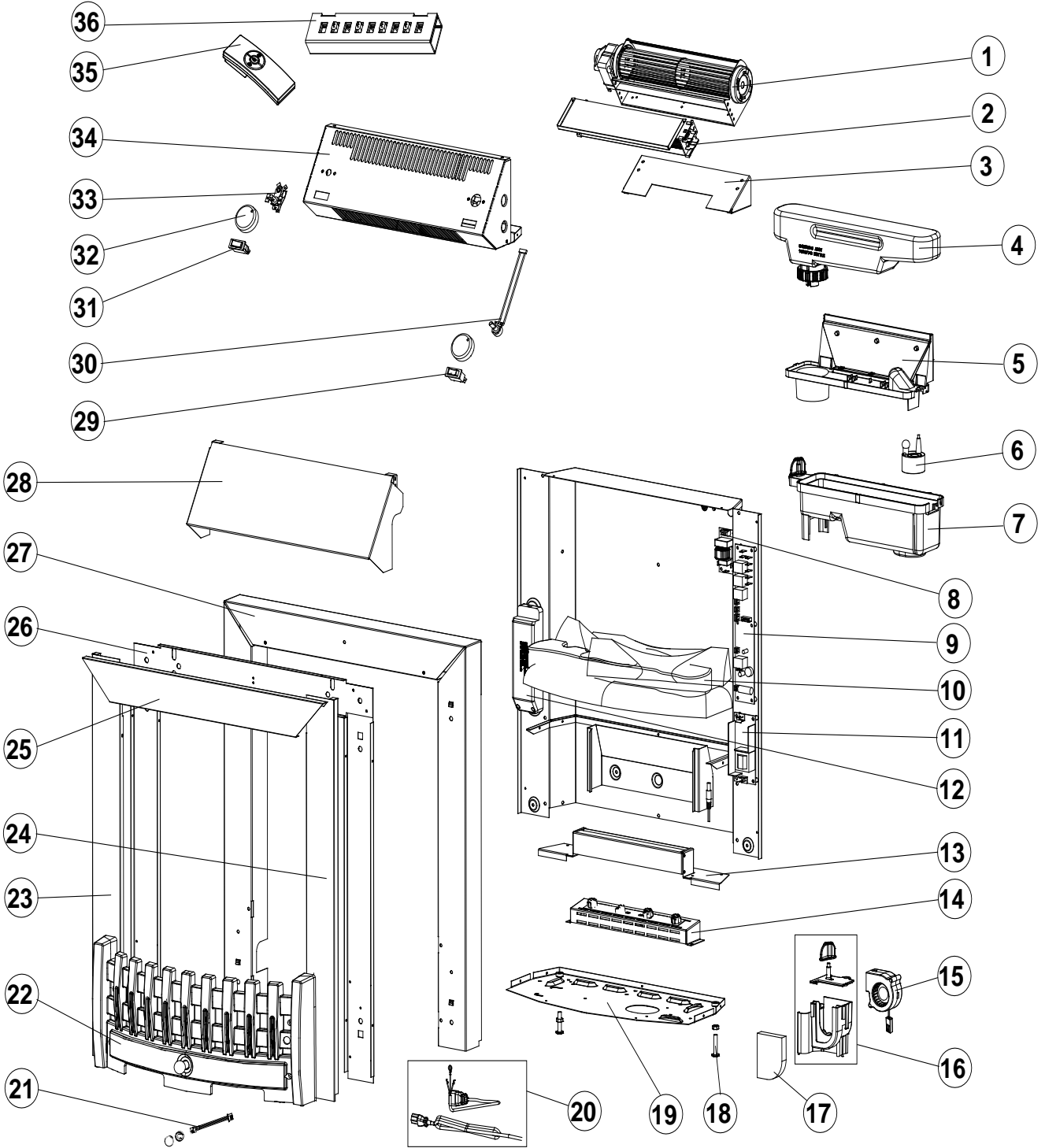
JANUARY 2014

COMPILED BY JOHN WILKINSON

DANVILLE



DANVILLE



DANVILLE UK BRASS

1.	7511018	HEAT BLOWER MOTOR
2.	7511024	ELEMENT & CUT OUT
3.	7513018	BLOWER FIXING BRACKET
4.	7511023	BOTTLE & LID ASSEMBLY
5.	7513010	NOZZLE ASSEMBLY
6.	7511012	KERI TRANSDUCER
7.	7511008	SUMP
8.	7511036	10amp CHOKE
9.	7511022	MAIN PCB
10.	7511013	FUEL BED 1 (Slimline small)
11.	7511021	DC PSU 24v
12.	7511019	HALOGEN POWER SUPPLY
13.	7513019	MIST TUNNEL
14.	7513020	CERAMIC LAMPHOLDER ASSEMBLY
15.	7511020	SUMP FAN
16.	7513084	SUMP FAN HOUSING
17.	7511029	FAN FILTER
18.	7511027	ADJUSTABLE FOOT
19.	7513021	WRAP BOTTOM ASSEMBLY
20.	7513022	UK CORDSET (03/16766/0 & 03/22404/0)
21.	7511028	IR RECIEVER
22.	7511033	CAST FRET DANVILLE BRASS
23.	7511030	UPRIGHT TRIM LH BRASS
24.	7511031	UPRIGHT TRIM RH BRASS
25.	7511032	TOP TRIM BRASS
26.	7513023	FRAME WELD ASSEMBLY
27.	7511011	SPACER
28.	7511010	HINGED HOOD ASSEMBLY
29.	7511015	INRUSH SWITCH
30.	7511017	POT & LEAD 300mm
31.	7511035	ON / OFF SWITCH
32.	7511025	CONTROL KNOB
33.	7511014	TSB THERMOSTAT
34.	7513024	CANOPY WELD ASSEMBLY
35.	7511064	REMOTE CONTROL Branded Dimplex
36.	7511055	4 BULB LAMP SET

DANVILLE

UPDATES

ISSUE 1 – MARCH 2013

ISSUE 2 – JANUARY 2014

DELETE (15) 7513007 SUMP FAN ASSEMBLY

ADD (16) 7513084 SUMP FAN HOUSING

ADD (15) 7511020 SUMP FAN

ADD (17) 7511029 FAN FILTER